

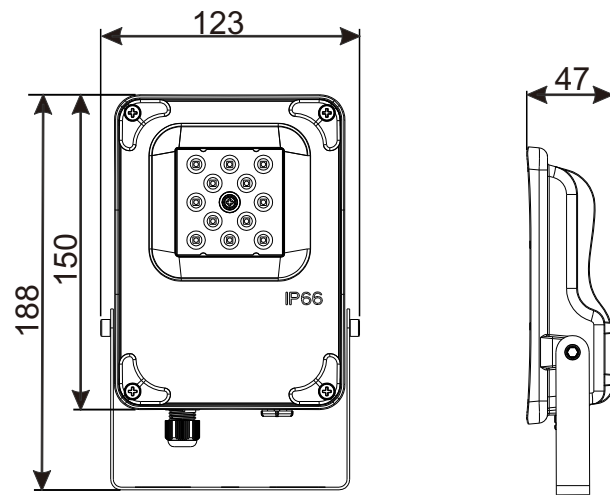
A: Technical Parameter

Item No.	FDL-S3-10W	FDL-S3-20W	FDL-S3-30W	FDL-S3-50W	FDL-S3-80W	FDL-S3-100W	
LampSize	188*123*47mm	242*169*51mm	242*169*51mm	283*220*52mm	369*278*52mm	369*278*52mm	
Voltage	AC100V-240V 50/60HZ						
Power	10W	20W	30W	50W	80W	100W	
LED Type	Lumileds 3030						
LED Quantity	12pcs	24pcs	32pcs	48pcs	72pcs	96pcs	
Luminous Flux	Lumileds 3030	1200LM ±5%	2400LM ±5%	3600LM ±5%	6000LM ±5%	9600LM ±5%	12000LM ±5%
Color Temperature(CCT)	3000k/4000k/5000k/6500k						
Beam Angle	30°/60°/90°/120° /T2M/T3M (12-in-one lens)	30°/60°/90°/120° /T2M/T3M (12-in-one lens)	30°/60°/90°/120° /T2M/T3M (16-in-one lens)	30°/60°/90°/120° /T2M/T3M (16-in-one lens)	30°/60°/90°/120° /T2M/T3M (12-in-one lens)	30°/60°/90°/120° /T2M/T3M (12-in-one lens)	
Color Rendering Index (CRI)	Ra>80						
Power Supply Efficiency	>88%						
LED Luminous Efficiency	120lm/w						
Power Factor (PF)	>0.9						
Total Harmonic Distortion (THD)	≤15%						
IP Rank	IP 66						
Net Weight	0.5kg	0.98kg	0.98kg	1.5kg	2.6kg	2.6kg	
Certificate	CE, CB, SAA						

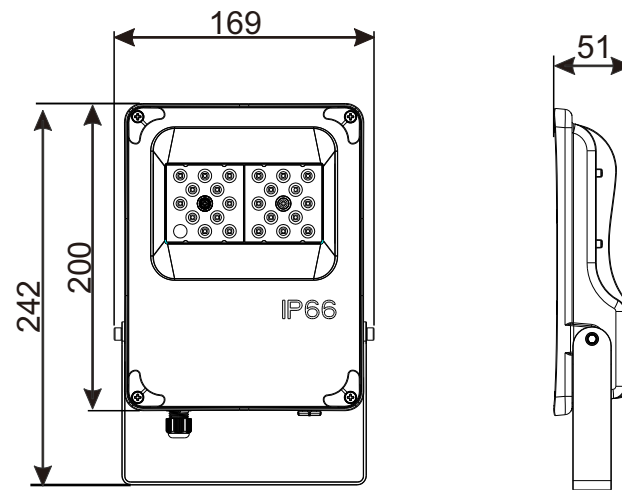
A: Technical Parameter

Item No.	PTG-120W	PTG-150W	PTG-180W	PTG-200W	PTG-250W	PTG-300W	PTG-350W	
LampSize	394*392*57mm	394*392*57mm	445*392*57mm	445*392*57mm	497*392*59mm	524*545*65mm	524*545*65mm	
Voltage	AC100V-240V 50/60HZ							
Power	120W	150W	180W	200W	250W	300W	350W	
LED Type	Lumileds 3030							
LED Quantity	120pcs	144pcs	180pcs	216pcs	240pcs	384pcs	384pcs	
Luminous Flux	Lumileds 3030	14400LM±5%	18000LM±5%	21600LM±5%	24000LM±5%	30000LM±5%	36000LM±5%	42000LM±5%
Color Temperature(CCT)	3000K/4000k/5000k/6500k							
Beam Angle	30°/60°/90°/120° /T2M/T3M (12-in-one lens)	30°/60°/90°/120° /T2M/T3M (12-in-one lens)	30°/60°/90°/120° /T2M/T3M (12-in-one lens)	30°/60°/90°/120° /T2M/T3M (12-in-one lens)	30°/60°/90°/120° /T2M/T3M (12-in-one lens)	30°/60°/90°/120° /T2M/T3M (12-in-one lens)	30°/60°/90°/120° /T2M/T3M (12-in-one lens)	
Color Rendering Index (CRI)	Ra>80							
Power Supply Efficiency	>88%							
LED Luminous Efficiency	120lm/w							
Power Factor (PF)	>0.9							
Total Harmonic Distortion (THD)	≤15%							
IP Rank	IP 66							
Net Weight	4.0kg	4.0kg	4.7kg	4.7kg	5.7kg	8.5kg	8.5kg	
Certificate	CE, CB, SAA							

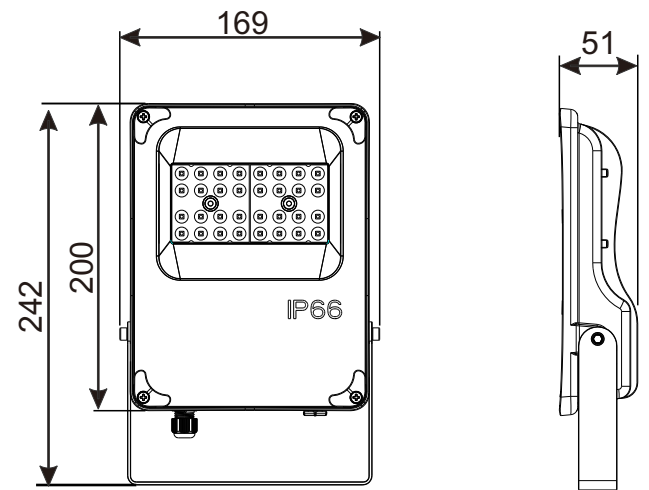
Dimension



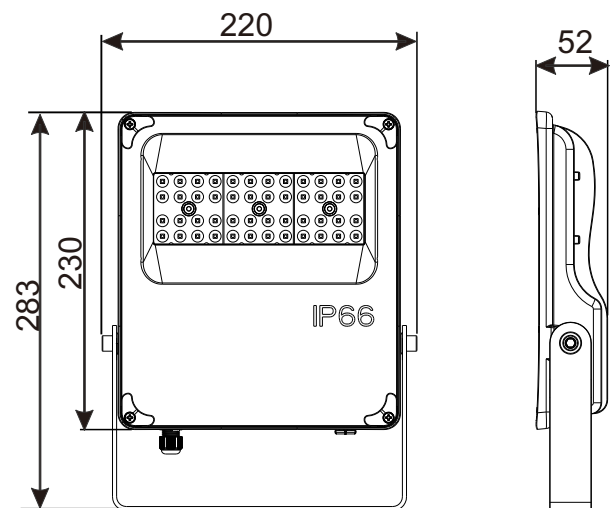
10W



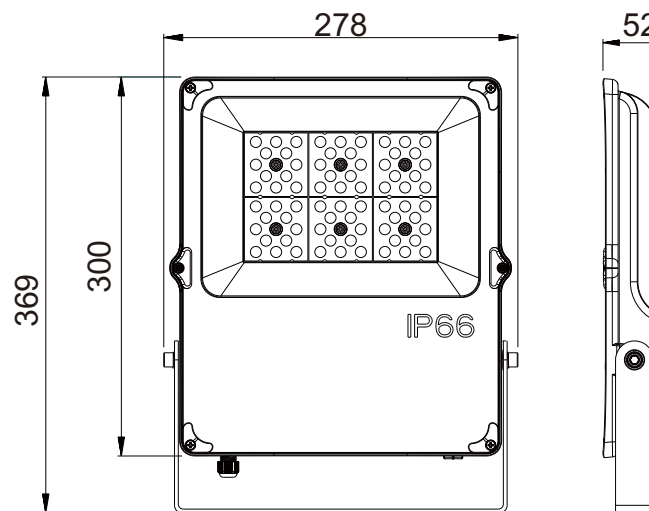
20W



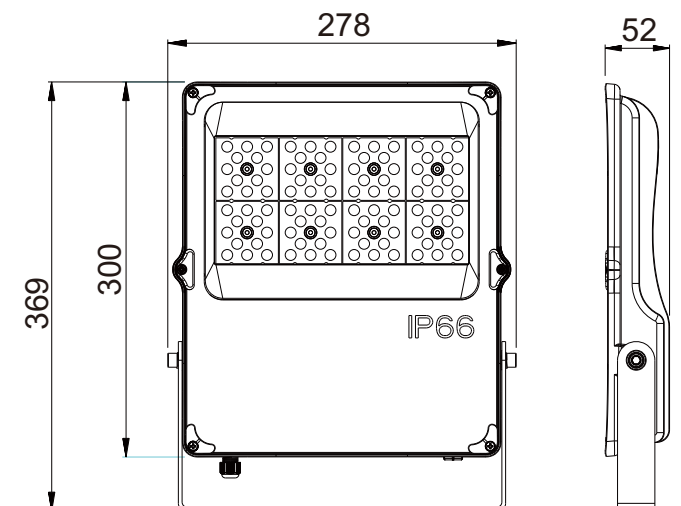
30W



50W



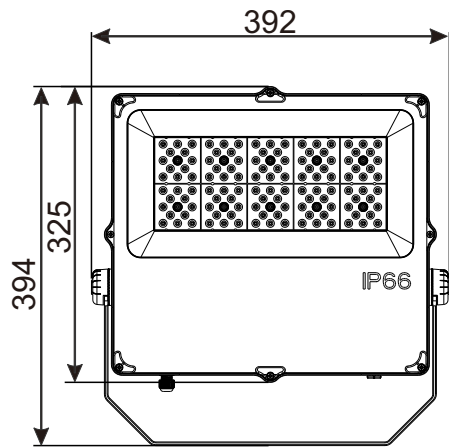
80W



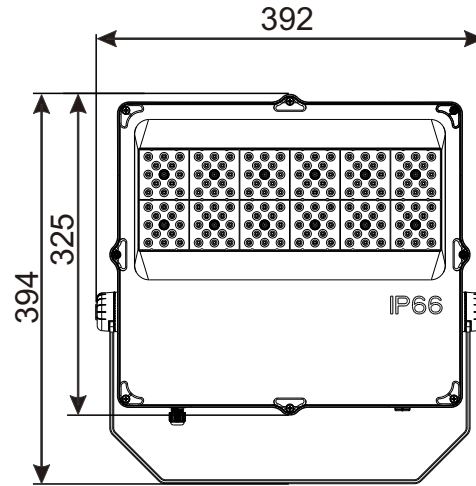
100W

unit : mm

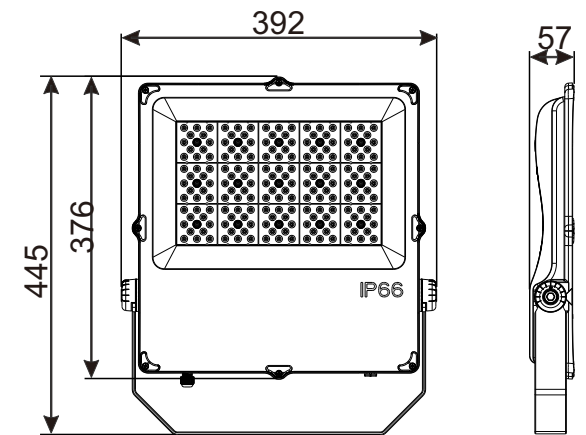
Dimension



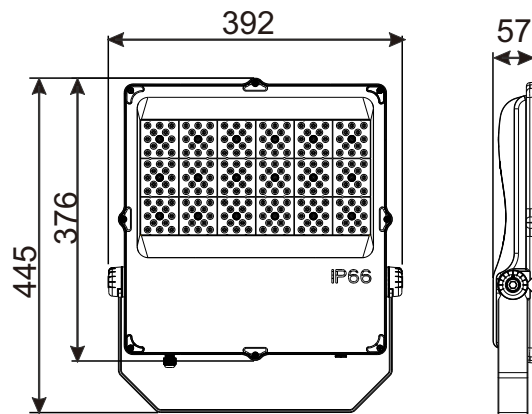
120W



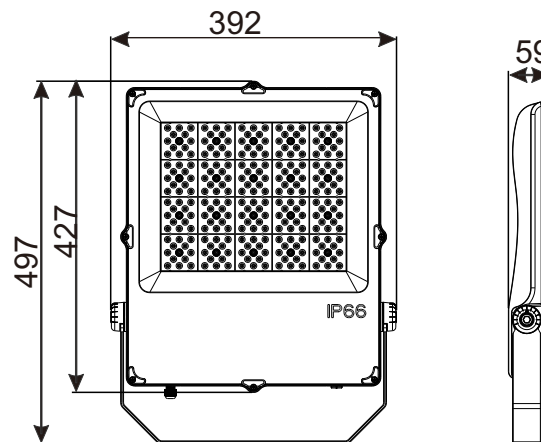
150W



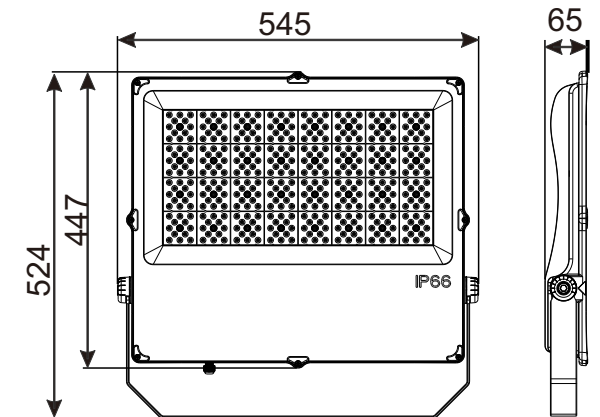
180W



200W



250W

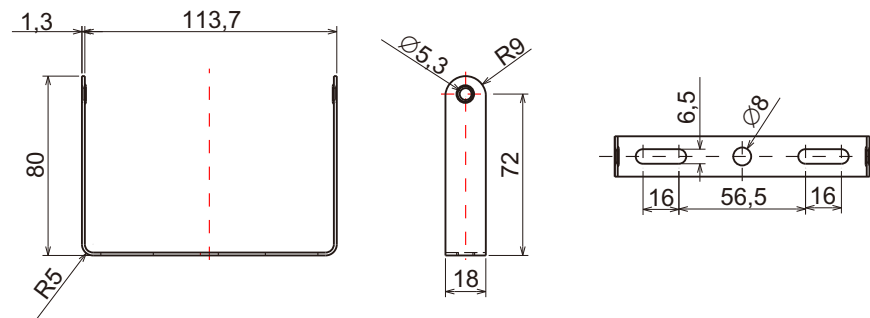


300/350W

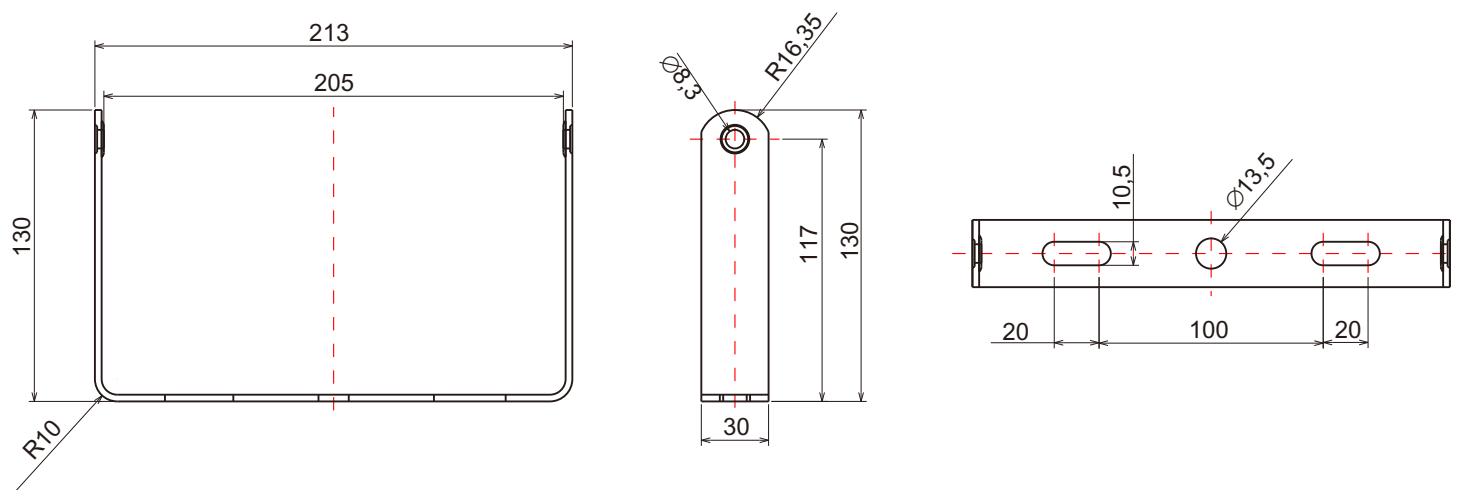
unit : mm

Bracket

10W Mounting bracket



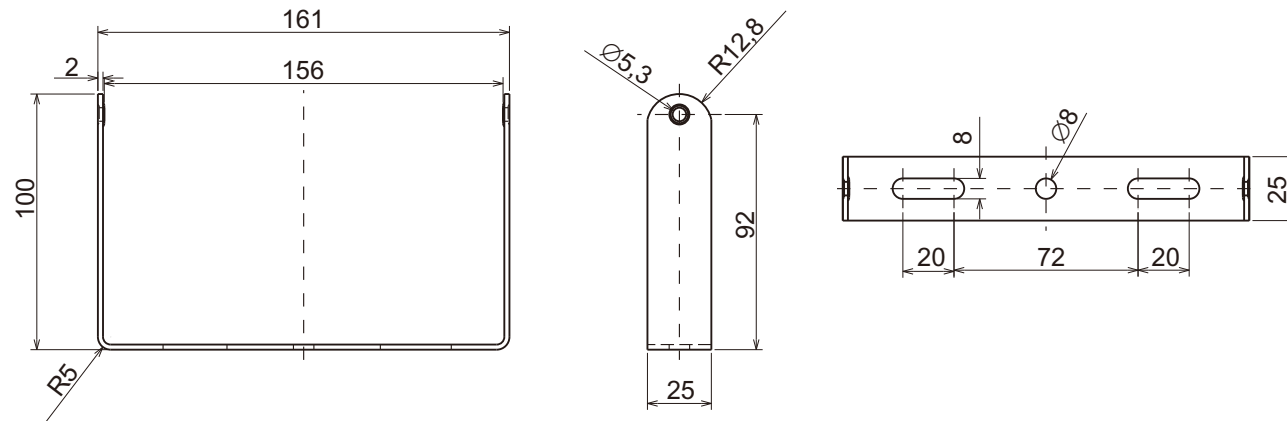
20W-30W Mounting bracket



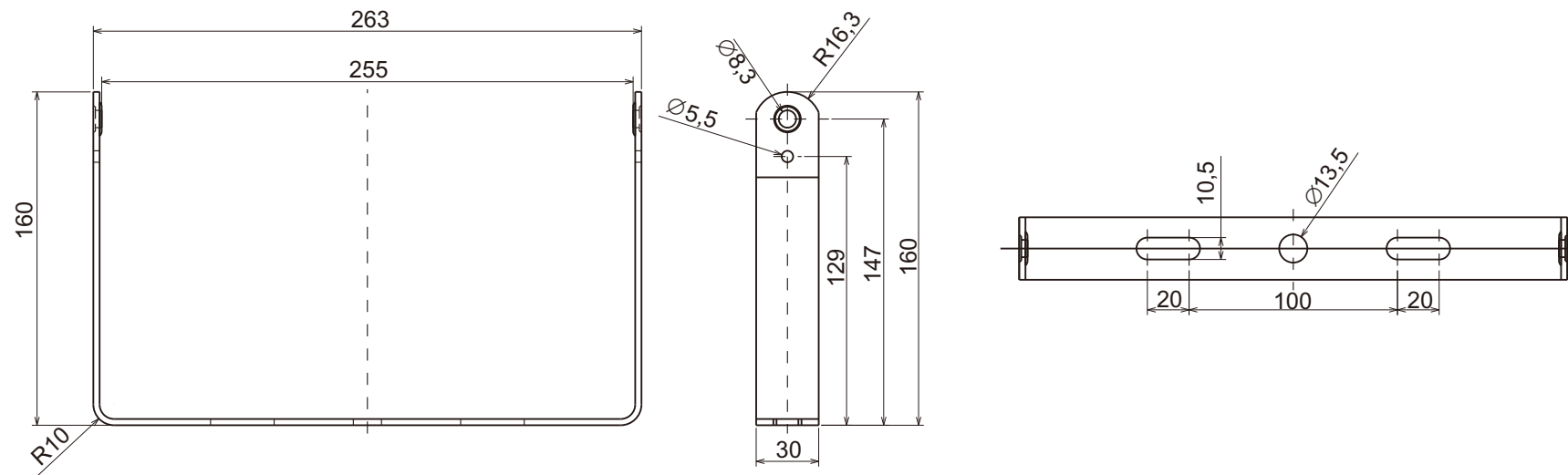
unit : mm

Bracket

50W Mounting bracket



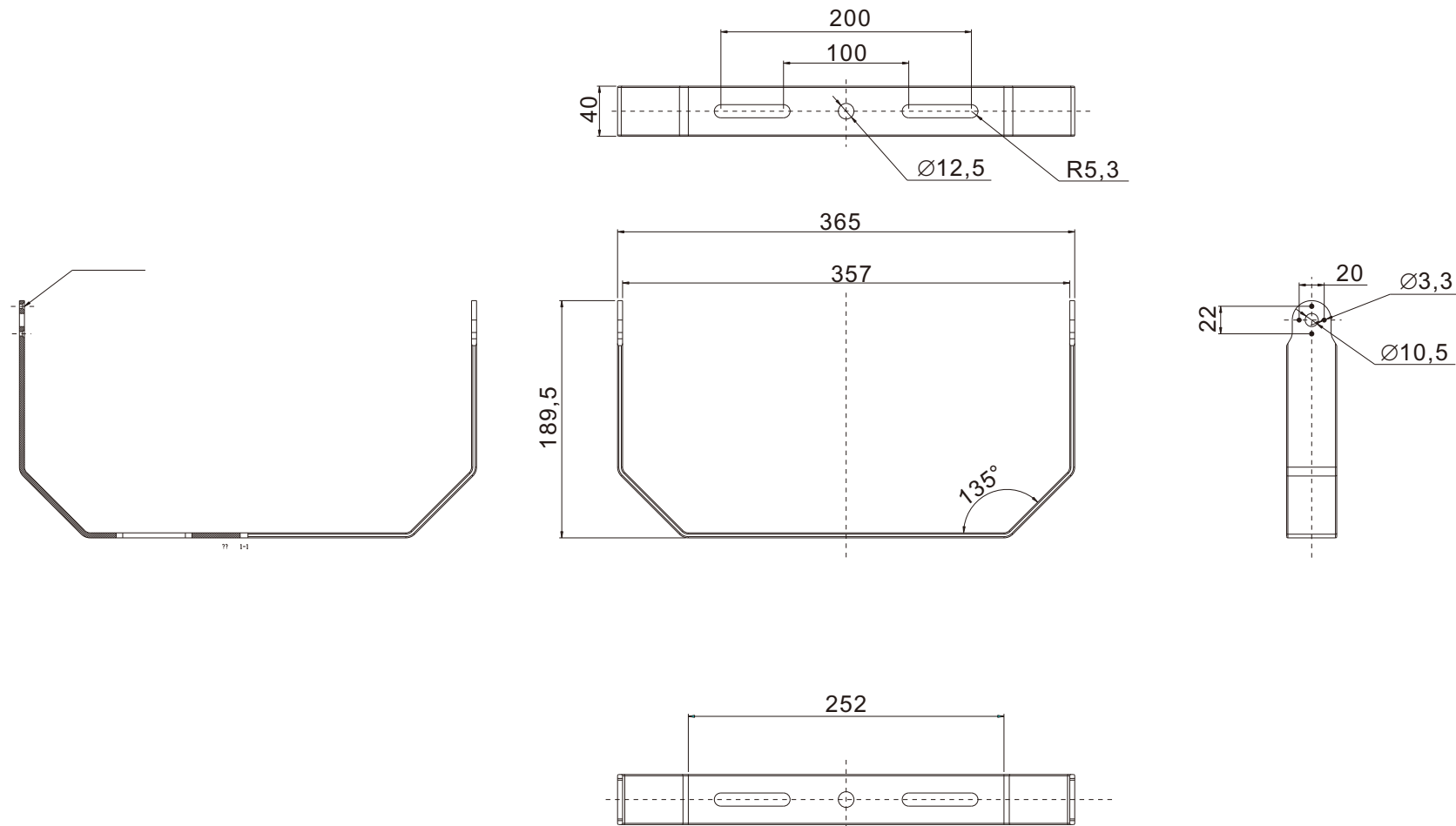
80W-100W Mounting bracket



unit : mm

Bracket

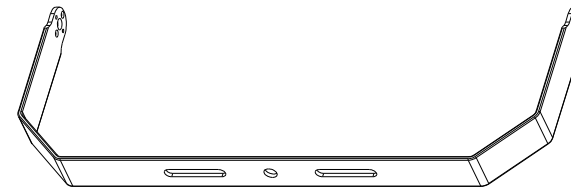
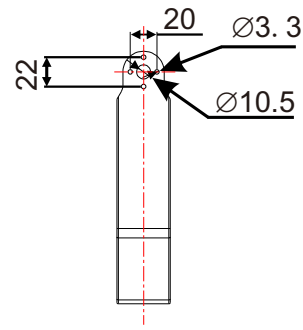
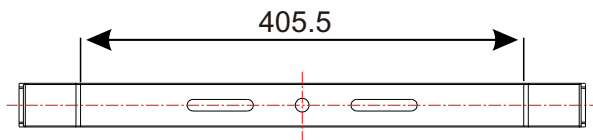
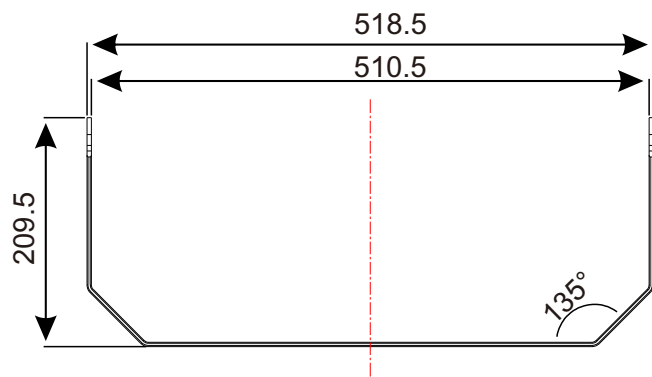
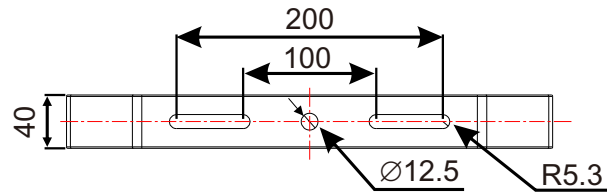
120W-250W Mounting bracket



unit : mm

Bracket

300W-350W Mounting bracket



unit : mm

Application



Application

- Billboard
- Road
- Tunnel
- Bridge and culvert
- Square
- Building



Technical Specification

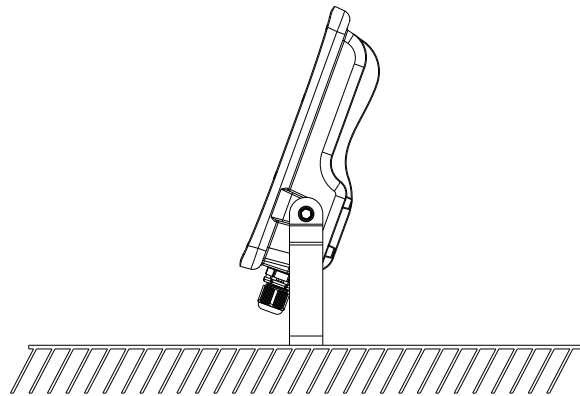
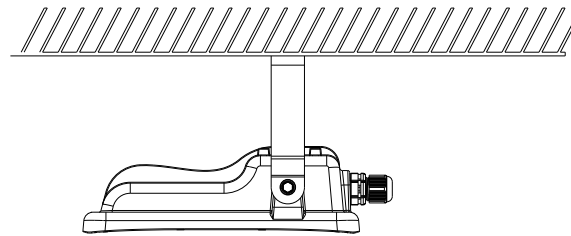
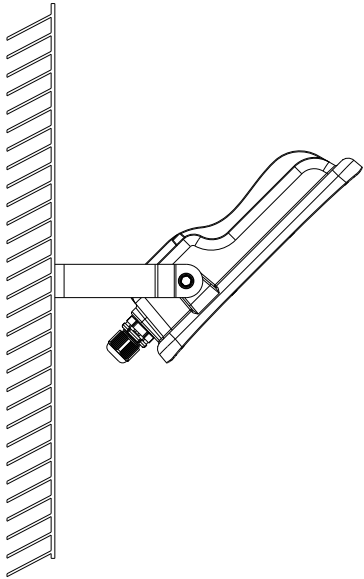
B: Mechanical Specifications

LED Driver	SOSEN/DONE
Housing Processing	Die-Casting
Material	ADC12

C: Environmental

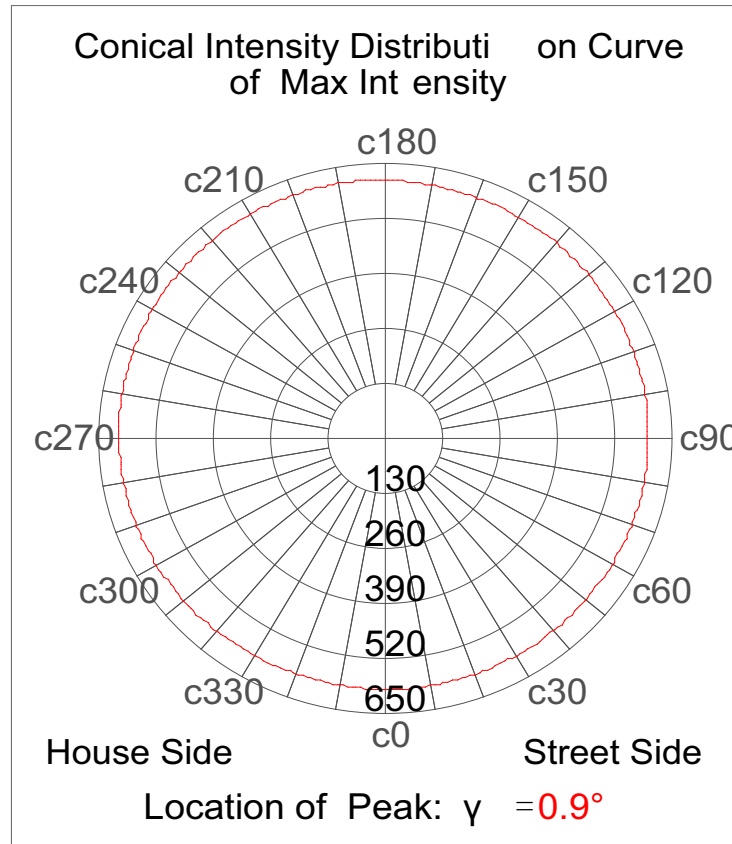
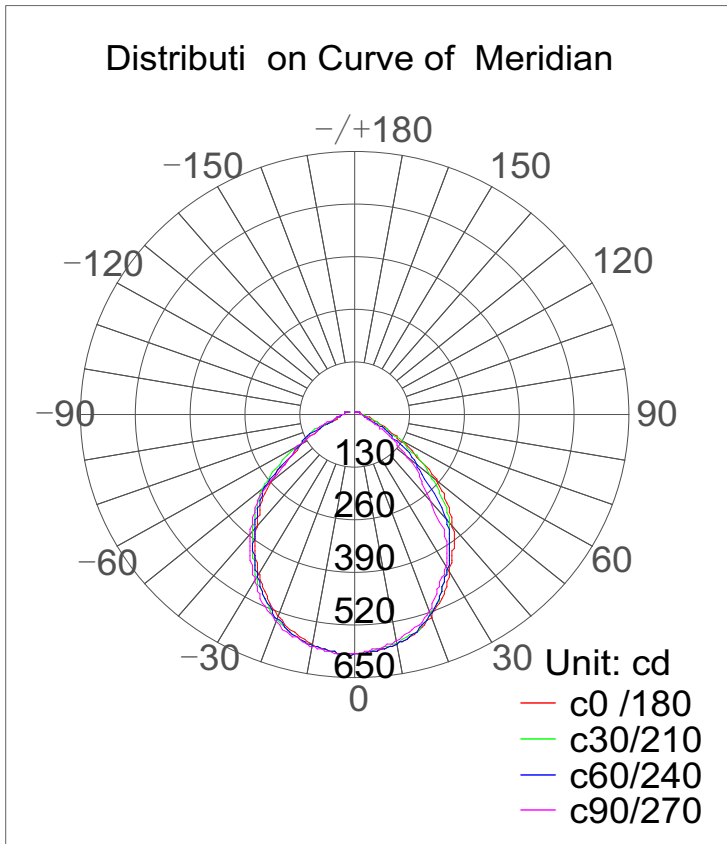
Temperature Range Operating	-40°C ~ 50°C
Humidity Range Operating	10% ~ 90%
Temperature Range Storage	-40°C ~ 70°C
Humidity Range Storage	10% ~ 90%

Installation

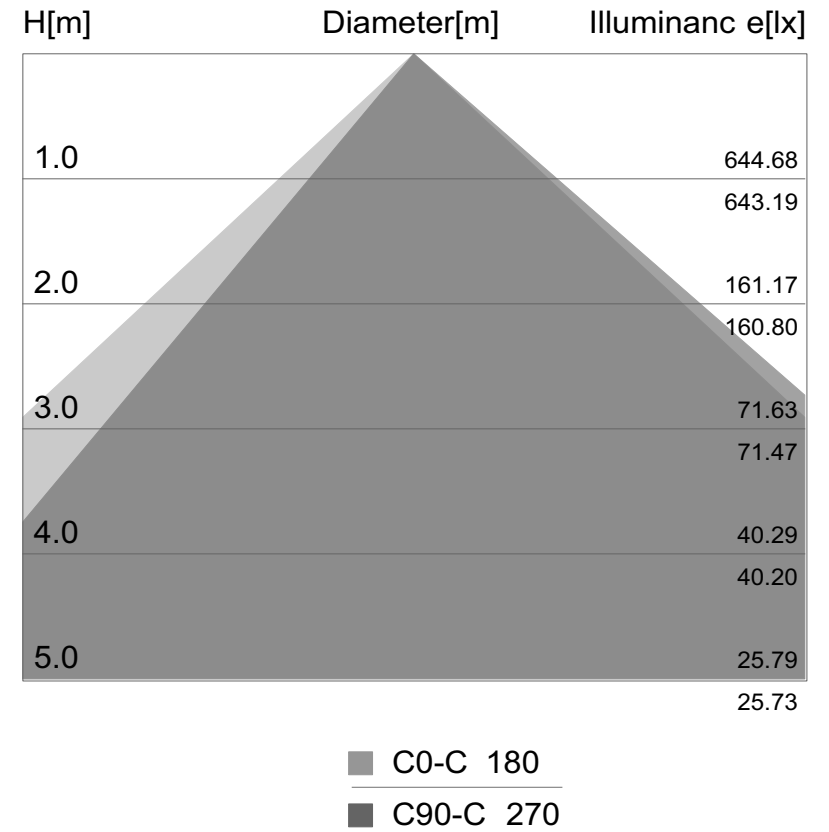


1. Fix the bracket on the wall by screws
2. Adjust the lamp body to proper orientation
3. Fix the screws that connecting the bracket and the lamp body.
4. Connect the wires. Brown wire is L, blue wire is N, and yellow-green wire is G.

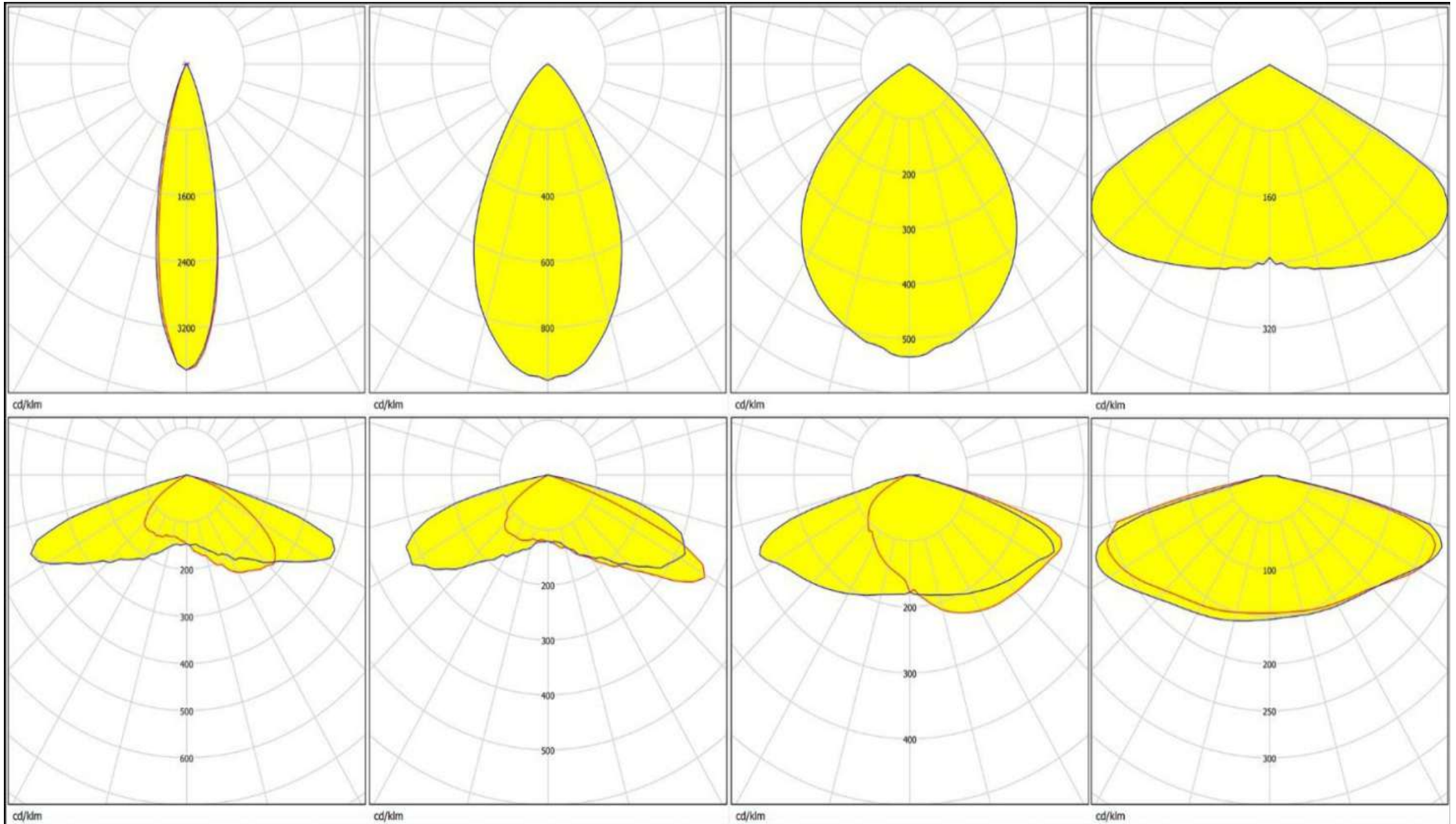
Luminous Intensity Distribution



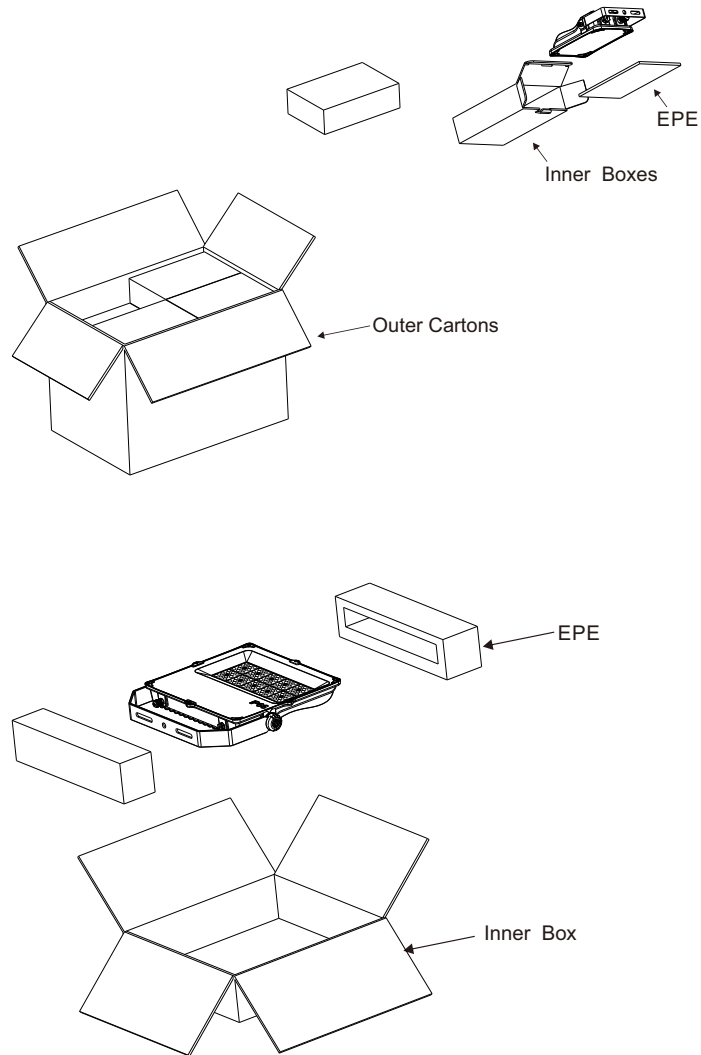
Illuminati on Cone Curve



Distribution Curve Flux



Packing



Item No.	Carton Size		Quantity	G.W.
10W	Inner Boxes	196*128*56mm	1pcs	0.6kg
	Outer Cartons	407*270*295mm	20pcs	13.9kg
30W	Inner Boxes	254*175*60mm	1pcs	1.1kg
	Outer Cartons	522*365*315mm	20pcs	25.2kg
50W	Inner Boxes	296*226*60mm	1pcs	1.7kg
	Outer Cartons	465*311*315mm	10pcs	18.4kg
80W/100W	Inner Boxes	372*292*60mm	1pcs	2.7kg
	Outer Cartons	596*387*315mm	10pcs	29.5kg
120W/150W	440*420*115mm		1pcs	5.2kg
180W/200W	490*420*115mm		1pcs	5.7kg
250W	540*420*115mm		1pcs	6.6kg
300W/350W	580*570*115mm		1pcs	10.4kg

Attention

1. Please read the manual carefully before installation.
2. Please check everything carefully before use, if any abnormalities occurred during use, please contact us immediately.
3. It is a normal phenomenon that the surface temperature of the lamp get higher during use.
4. Please do not disassemble the lamp without permission, or it will be deemed to have waived the warranty service.
5. For products with special function, the corresponding sections in this manual is for reference only.

Warranty

We offers 5-year warranty since the purchase date for all above items.

Warranty terms

1. Under warranty terms, if any products failed under normal usage within warranty period, we will provide free maintenance service based on the proof-documents and invoice(copy) of the failed products.
2. We will not offer maintenance service under following conditions even within warranty.
 - a. Failure or damage due to force majeure.
 - b. Failure or damage due to transport or abnormal load.
 - c. Failure or damage due to incorrect usage or failed to follow the manual.
 - d. Failure or damage due to demolition, repair or alteration without authorization of the manufacturer.
3. Please deliver the failure product by original packing for maintenance service
We will not be responsible for any failure or damage by transportation if the failed items are packed by non-original packing or improper packing.
4. We reserves the right for final explanation of aforesaid terms.