

LED Street Light

Starlight Series

IP65

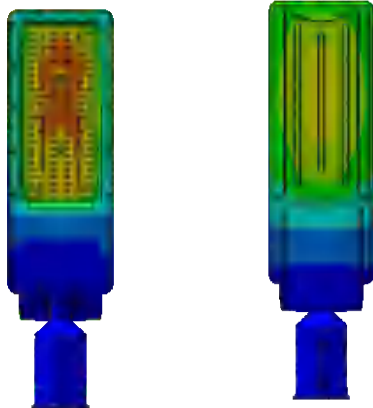



OVERVIEW

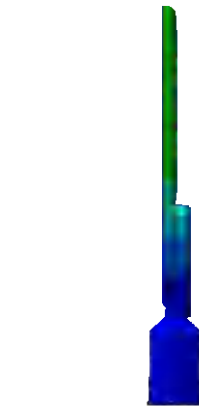


THERMAL MANAGEMENT

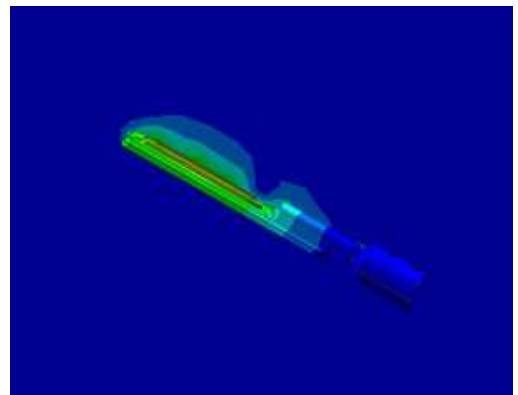
Structure is optimized by advanced FEA technology. Achieving longer lifespan at best cost-efficiency.



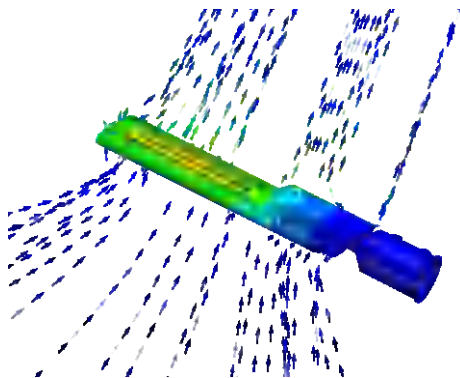
Thermal Conductivity



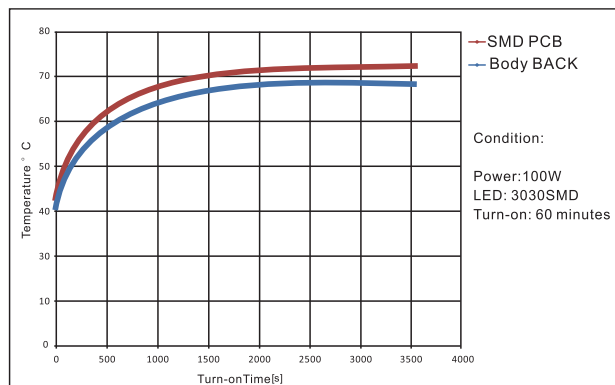
Thermal Conductivity



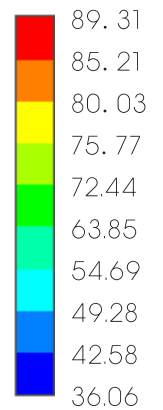
Thermal Air Convection



Thermal Air Convection

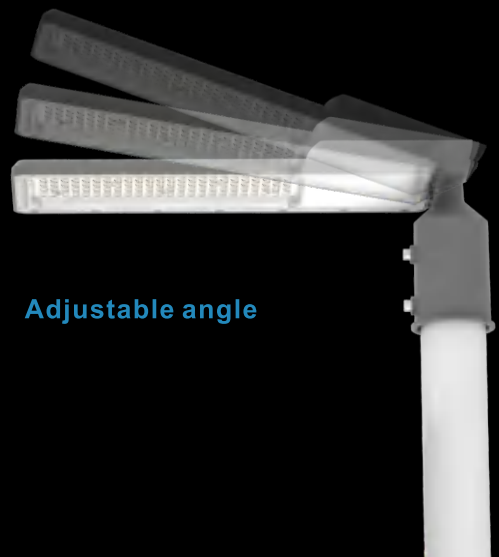
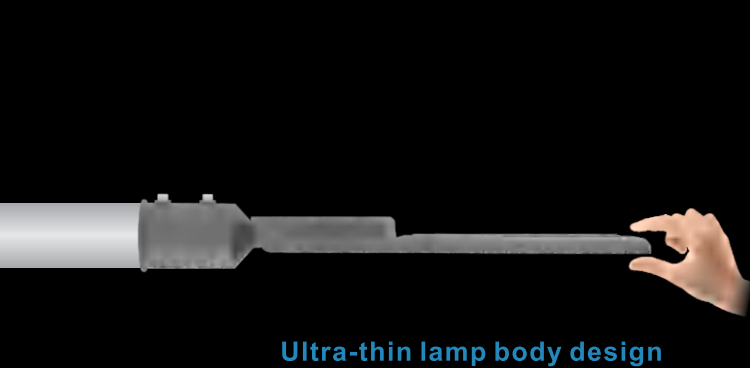
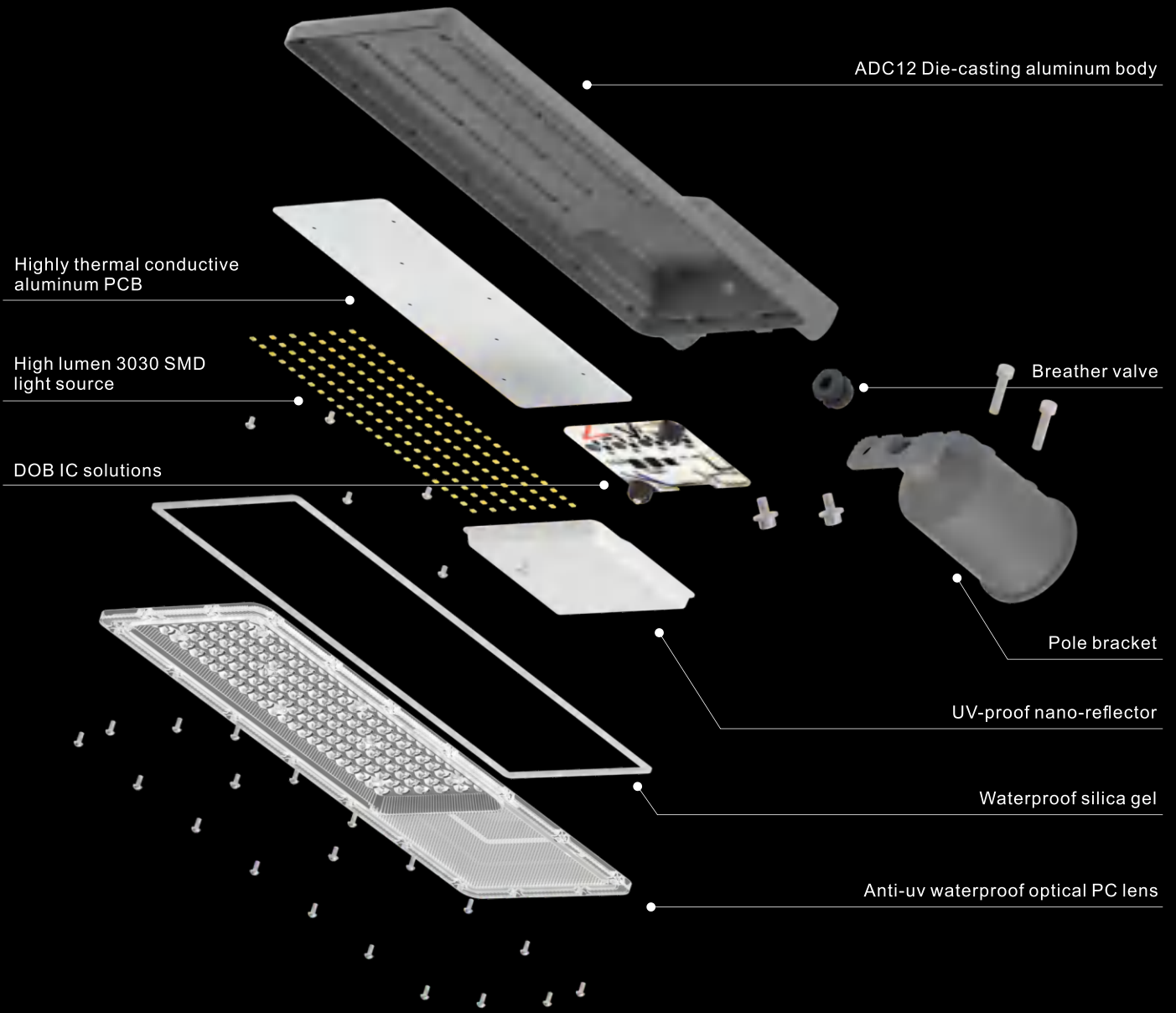


Temperature Rise Curve



Unit : °C

EXPLODED VIEW



APPLICATIONS

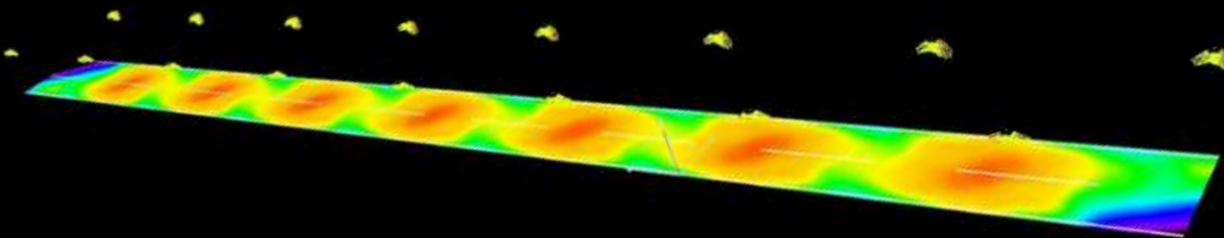
IP65 waterproof. Suitable for lighting places such as roads, highways, parks, squares and villas. Installation methods available are Horizontal installation and Vertical installation.



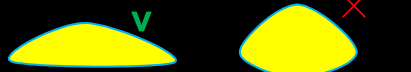
**Streamline Shape
Wind-proof Design**

OPTICS

Tech. Support: Tell us the room length, width, height and the usage.
 We have an engineer team to respond the DIALUX simulations for lights quantity calculation and effects. ies files are available upon request.



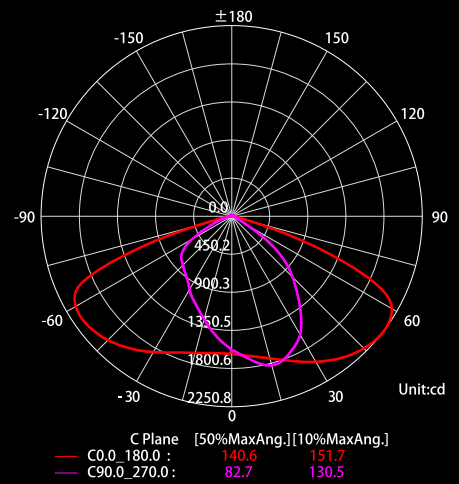
Energy Saving Design



Highly Uniformity Design

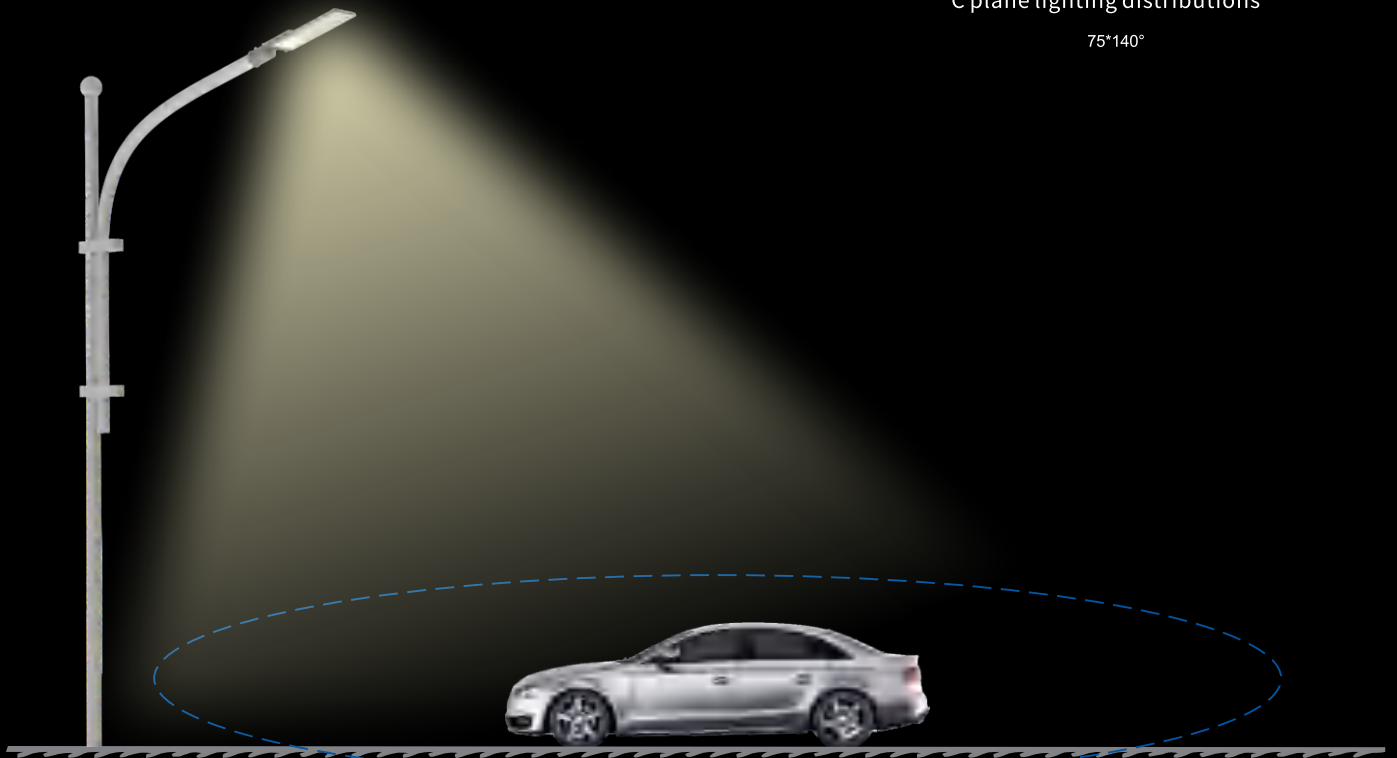


Cut-off Angle Design



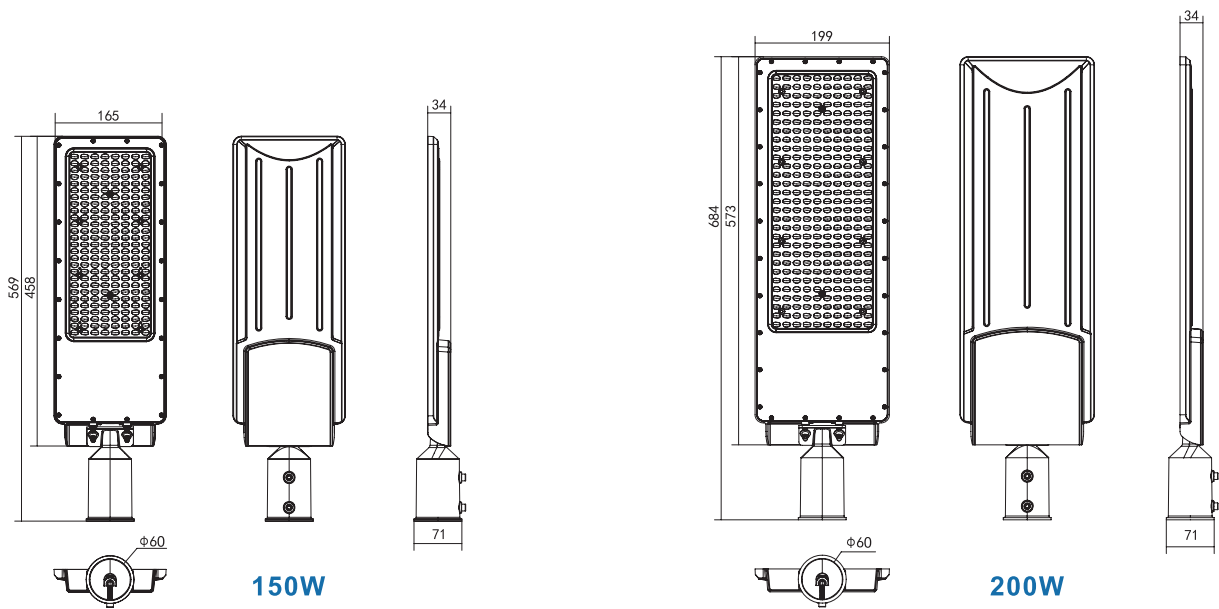
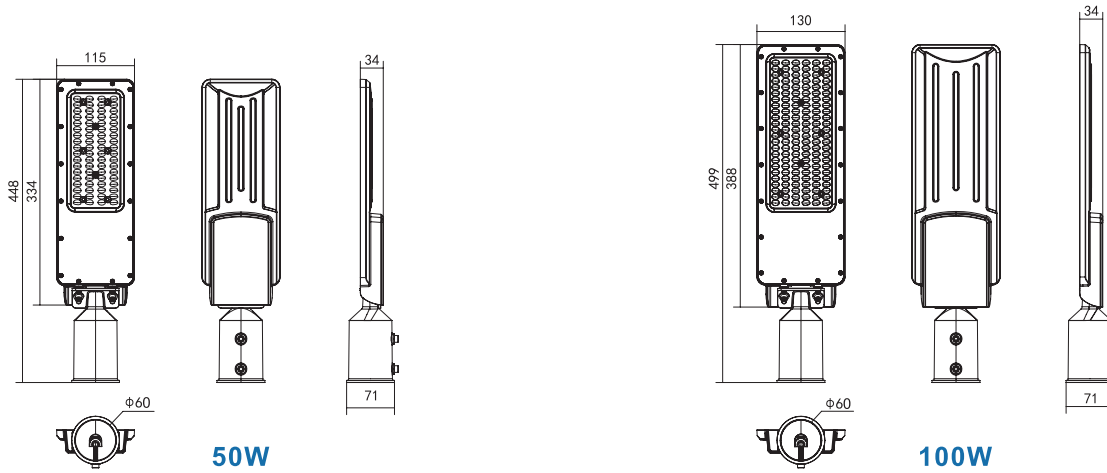
C plane lighting distributions

75°*140°

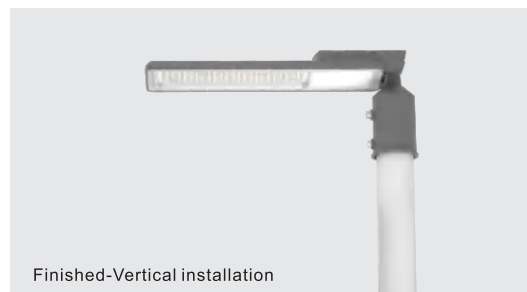
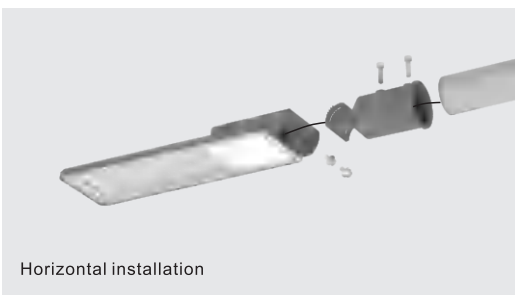


DIAGRAMS

Unit:mm



INSTALLATIONS



SPECIFICATIONS



50W

100W



150W

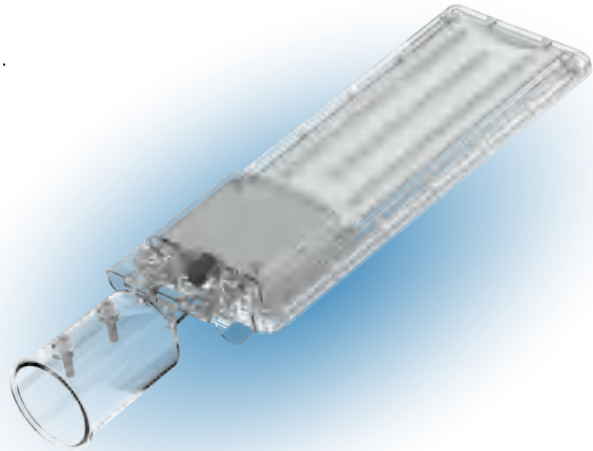
200W

MAIN PARAMETERS

Model	MH-LD13-50W	MH-LD13-50W	MH-LD13-50W	MH-LD13-50W
Power	50W	100W	150W	200W
Size(mm)	448*115*71	499*130*71	569*165*71	684*199*71
Input Voltage	85-265V			
Materials	Die-cast aluminum + PC			
IP Grade	IP65			
CRI	80Ra			
Power Factor	PF≥0.9			
Beam Angle	75°*140°			
Efficiency	110LM/W			
Surge L,N-G	4KV	4KV	4KV	4KV
LED Qty (PCS)	72	144	216	288
Inner Box Size(mm)	451*118*80	506*133*80	571*169*80	691*201*80
CTN Size(cm)	47*25.5*42	52.5*28.5*42	59*19*42	71*22*42
PCS/CTN	10	10	5	5

FEATURES :

1. AC85-265V 50/60Hz, standard voltage.
2. Lighting efficacy up to 110LM/W.
3. 3030 SMD high lumen LED chip, with LM-110 report and ies files.
4. Thick die casting aluminum body with smooth surface.
5. IP65 structural waterproof for outdoor lighting.
6. The light pass the salt spray test.
7. Better heat dissipation.
9. PF \geq 0.9.



SUGGESTED INSTALLATION HEIGHT:

