

ROBUST AND ELEGANT SOLUTIONS TO CREATE THE PERFECT MATCH

Ningbo Freelux Lighting Appliance co., Ltd

Mb.:86 135 0588 0227

Email: allen@freelux.com.cn

Tel:86-574-88847555

Web:www.freelux.com.cn

Add: No.228 Kaiyuan Road,High Technology Industrial Zone ,Fenghua Ningbo,China



PSL007

LED City Circuit Light

CE | CB | RoHS | IP66 | IK09

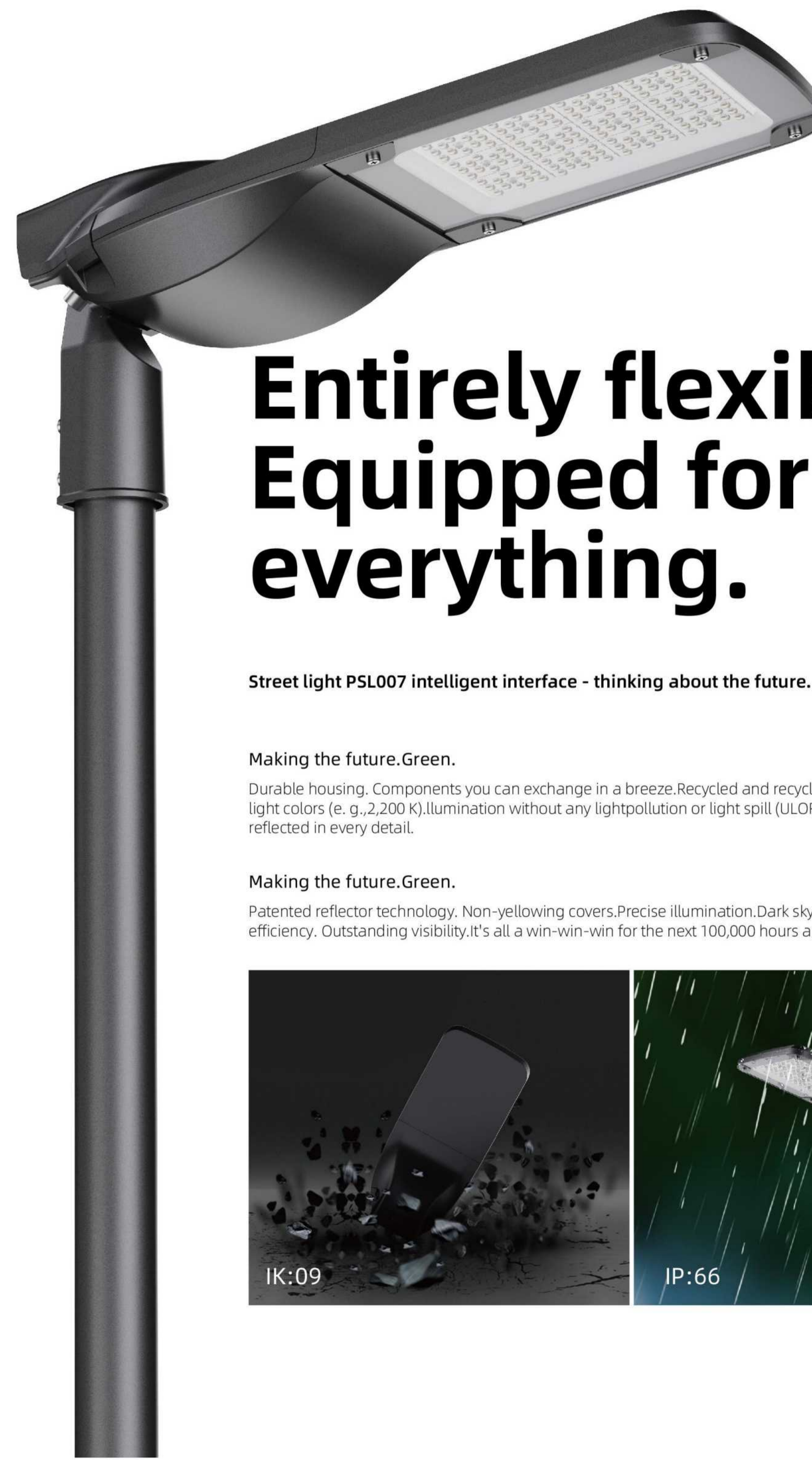


Imagine that you could have everything: perfect lighting. This has provided convenience, Today's intelligent features. What about tomorrow? Even more - more, more.

Sounds good, doesn't it? The best thing is: this is already reality. PSL007 street lighting technology, efficiency, and environmental protection. Through intelligent interfaces, you can gain convenience, future feasibility, intelligent control, intelligent diagnosis, and flexible connectivity.

Streetlight PSL007

Making the future. Secure.



Entirely flexible. Equipped for everything.

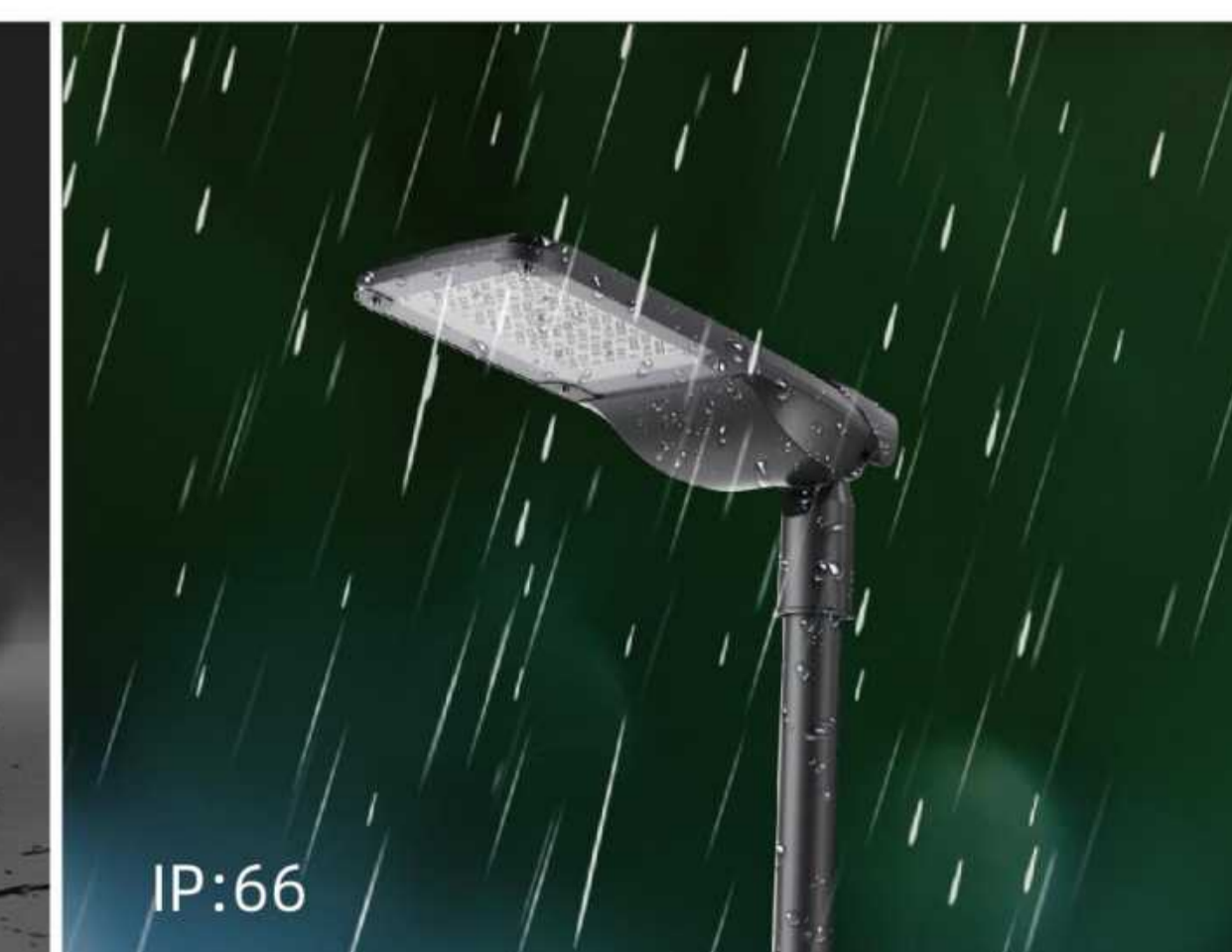
Street light PSL007 intelligent interface - thinking about the future. Take a step ahead.

Making the future. Green.

Durable housing. Components you can exchange in a breeze. Recycled and recyclable materials. Insect-friendly light colors (e. g., 2,200 K). Illumination without any light pollution or light spill (ULOR O). Environmental protection reflected in every detail.

Making the future. Green.

Patented reflector technology. Non-yellowing covers. Precise illumination. Dark sky. Maximum LED output. Top efficiency. Outstanding visibility. It's all a win-win-win for the next 100,000 hours and beyond.





PSL007 City circuit light series

Technical norm

General highlights

- Used for any outdoor lighting places such as roads, squares, scenic spots, etc
- Working temperature: -30 ° C/+50 ° C
- Adopting buckle design for easy installation and maintenance
- Using high-quality chips
- Less light decay, long-lasting and durable
- The sleeve adopts a clamping design
- Lamp poles with different calibers
- Excellent heat dissipation

Shell and Finish

- Corrosion resistant die cast aluminum casing
- Electrostatic powder coating
- Protection level: IP66
- Impact protection: IK09

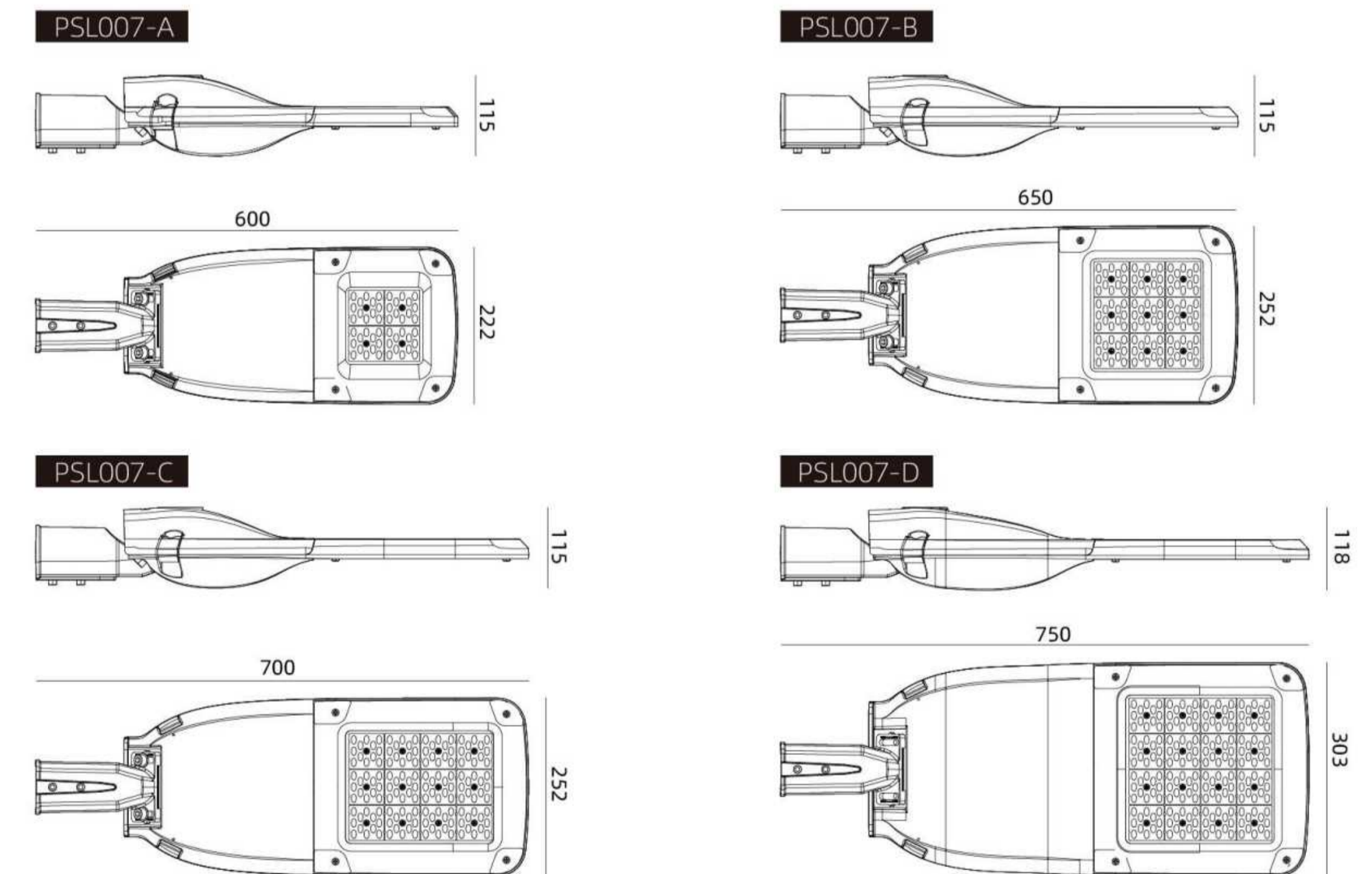
Optical properties

- Different lens arrangements in different areas and installation areas
- Uniform light distribution
- Modular design of light source for easy replacement
- Lumen output (absolute metering): 10800lm-36000lm
- Color temperature: 2200K-6500K
- Color rendering index:>70



Technical Parameter				
Model	PSL007-A	PSL007-B	PSL007-C	PSL007-D
Power	30-50W	60-100W	120-150W	180-240W
INPUT VOLTAGE	AC100-277V			
Frequency range	50Hz/60Hz			
Power factor	> 0.95			
Whole lighting effect	180Lm/W			
LED lifespan	50000H			
Rendering Index	CRI70			
Color temperature	2200K-6500K			
IP	IP66			
IK	IK09			
Operation temperature	-30~+50°C			
Storage temperature	-20°C~60°C,10%~90% RH			
Lens Material	PC Lens			
Installation height	6-8m	8-10m	10-12m	10-12m

Product size (mm)



Detail display

 100-277V	CRI 70
 10-90%RH	PF >0.95
CCT 4000K~6500K	 50000H
 50-60Hz	 -30°C 50°C
 IP66	 IK09



The casing is made of corrosion-resistant die-cast aluminum (ADC12), With corrosion-resistant powder coating.

Tempered Safety Glass (ESG)

High strength imported PC optical lens, Bat wing light distribution. Easy to replace lens.

Adjustable sleeve angle, There are two installation methods available

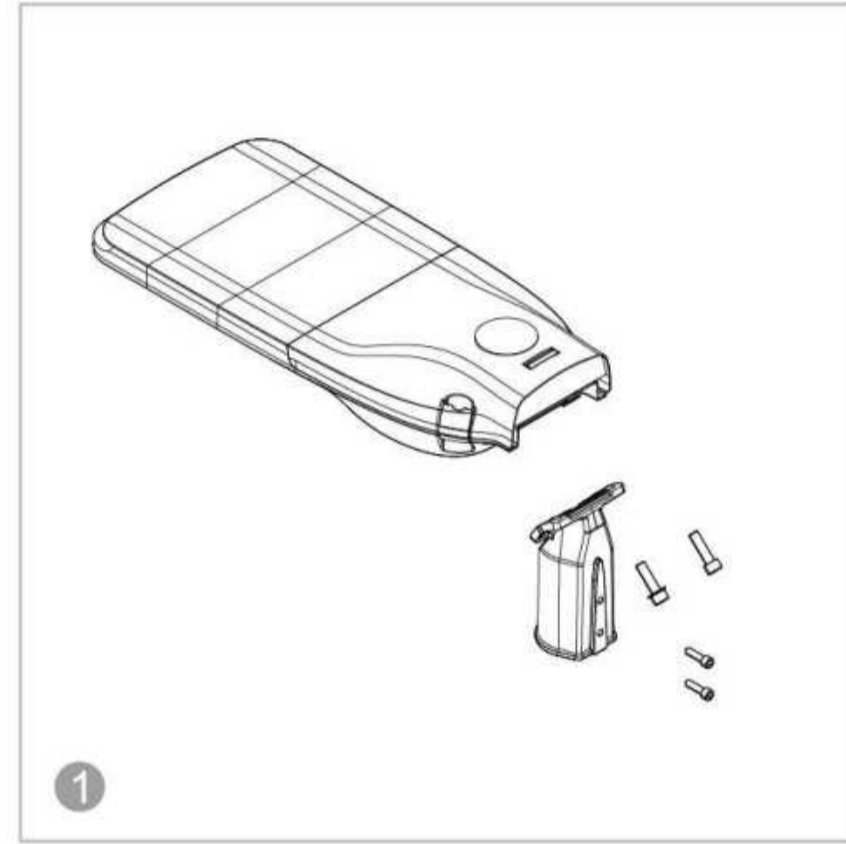
If necessary, various sensors/light management systems can be equipped at this position of the lamp to achieve functions such as photo-electric timing, dimming, remote management, and fault alarm.

• Electrical compartment design

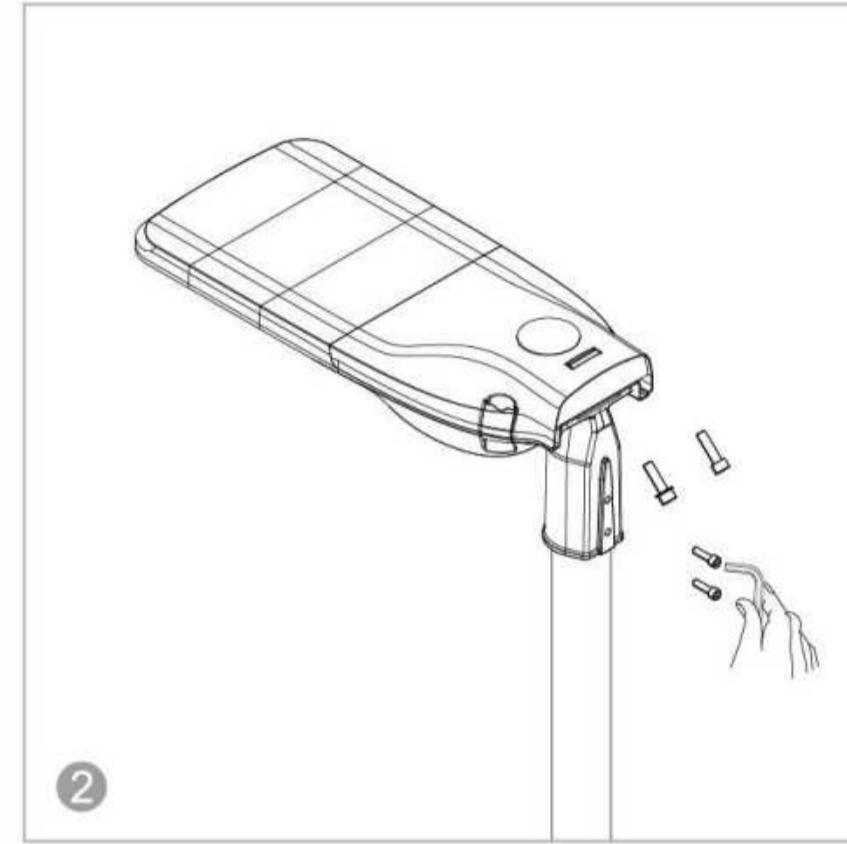


Installation instructions

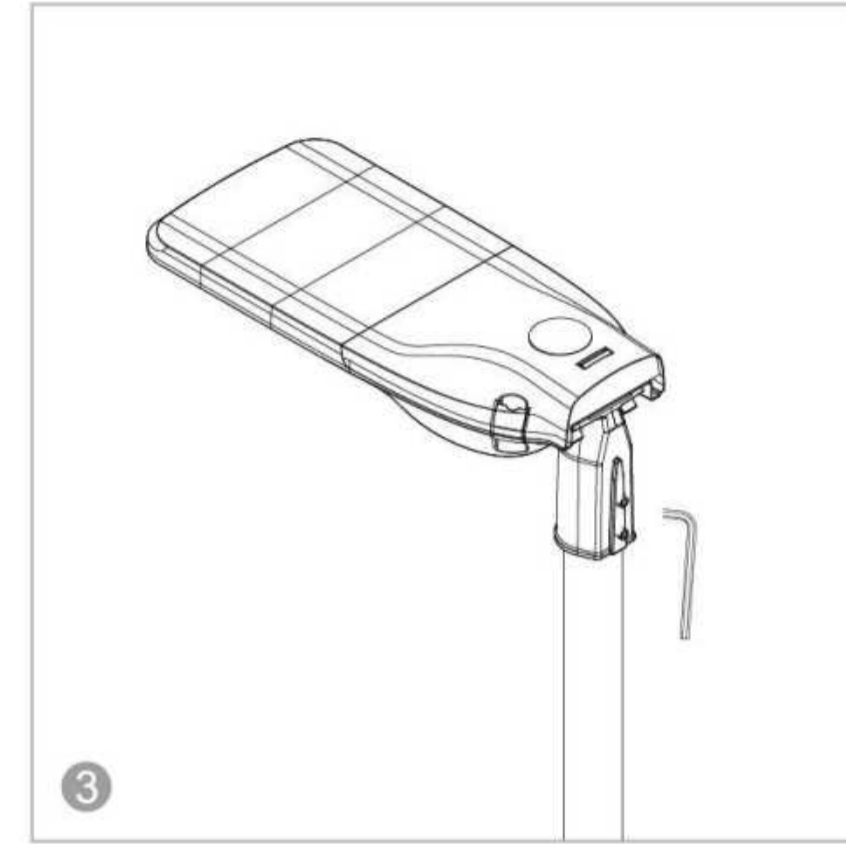
Steps for Vertical Installation



1. Align the sleeve fixing hole with the screw hole, and fix the sleeve with the hexagon bolt and flat washer with a hexagon wrench.

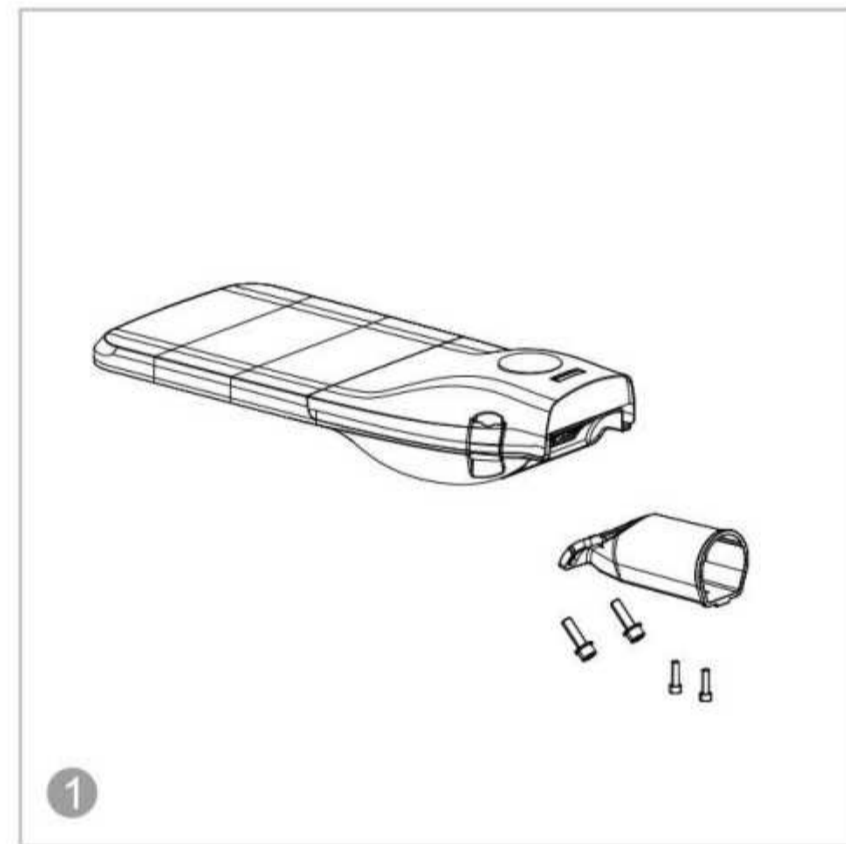


2. Align the lamp with the lamp pole and insert it, and fix it with hexagon wrench and hexagon socket bolt.

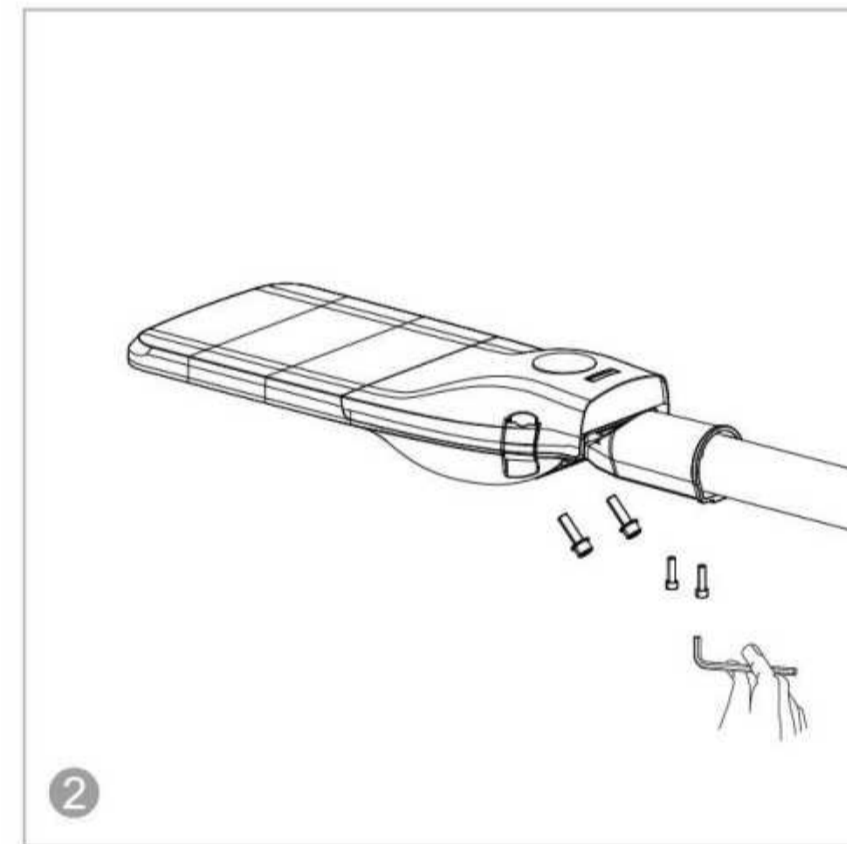


3. The effect of lamps after installation.

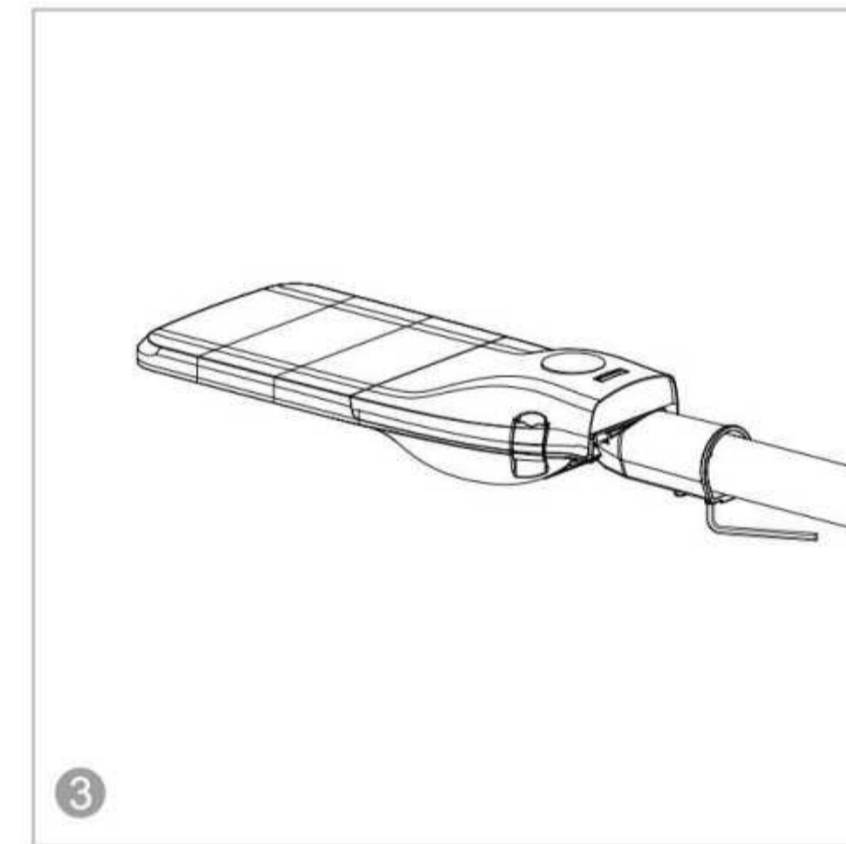
Steps for Horizontal Installation



1. Align the sleeve fixing hole with the screw hole, and fix the sleeve with the hexagon bolt and flat washer with a hexagon wrench.



2. Align the lamp with the lamp pole and insert it, and fix it with hexagon wrench and hexagon socket bolt.

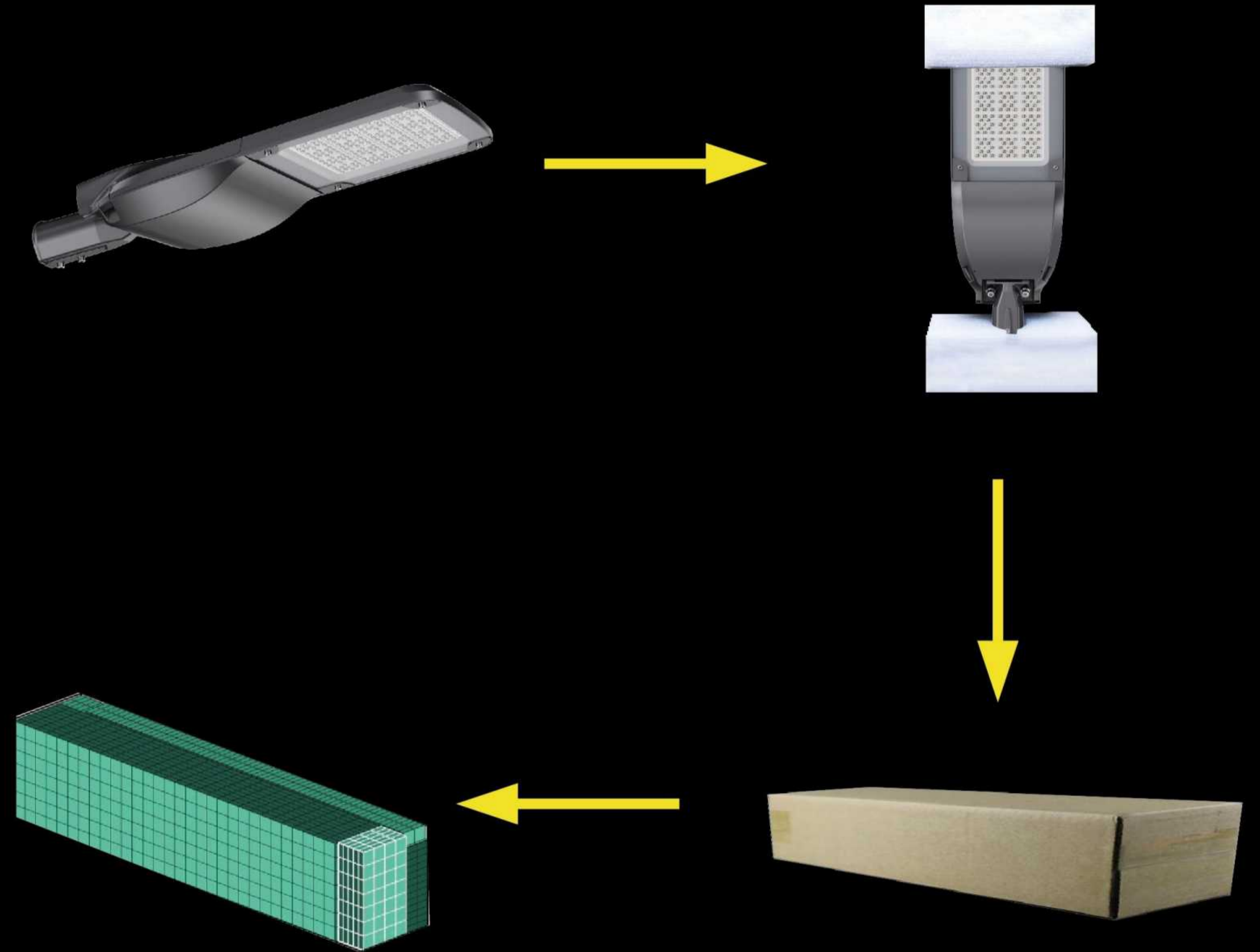


3. The effect of lamps after installation.

Precautions:

1. The working voltage of this model of lamp is based on the product specification and reference to the product label;
2. All wiring must comply with national installation standards, and all joints must be properly connected and waterproof treated;
3. Lamp maintenance or replacement requires qualified personnel to replace to avoid danger;
4. The controller modulation should be operated according to the instructions.

Packaging display

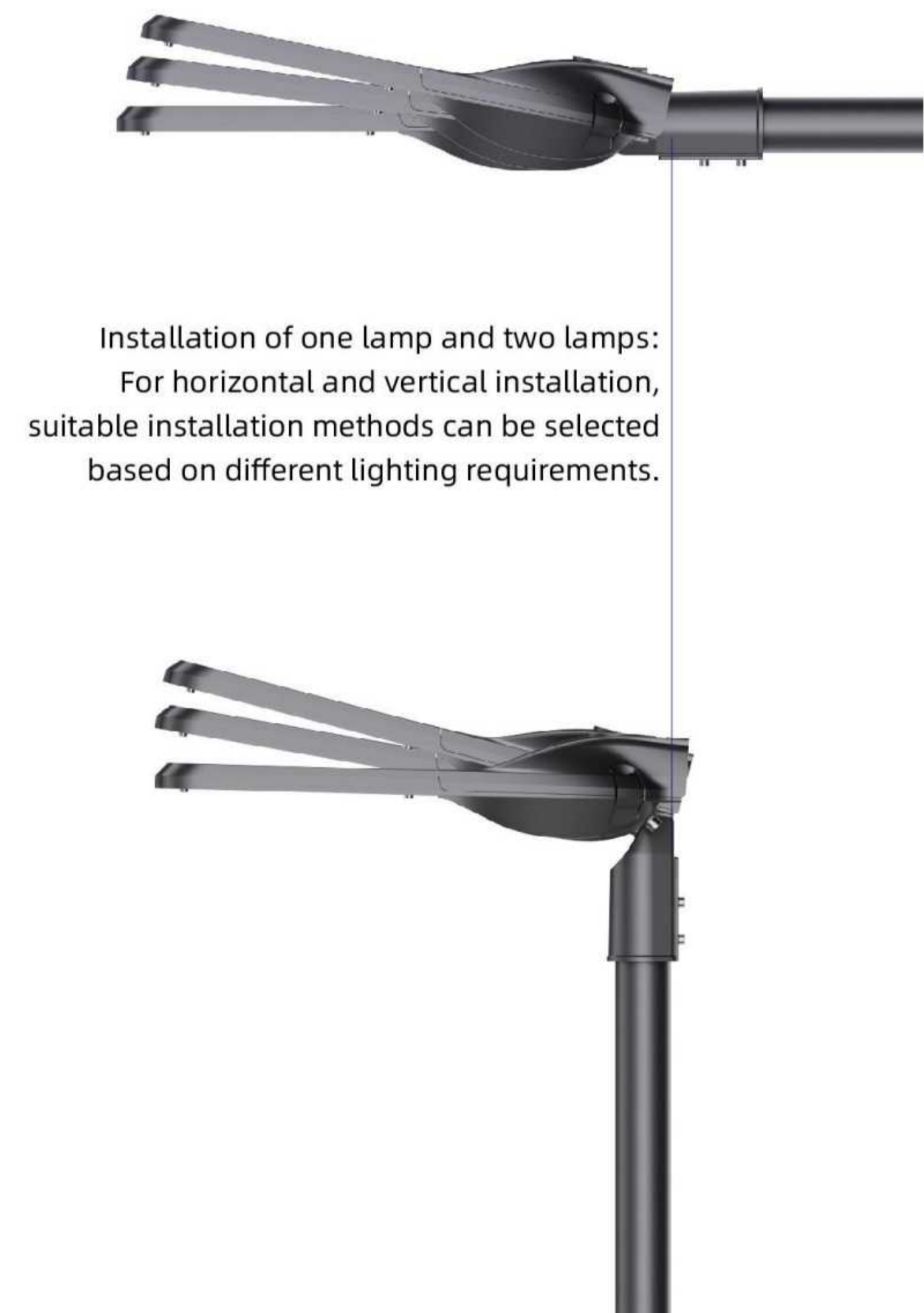




A hexagonal wrench can quickly and safely tighten screws and complete installation.

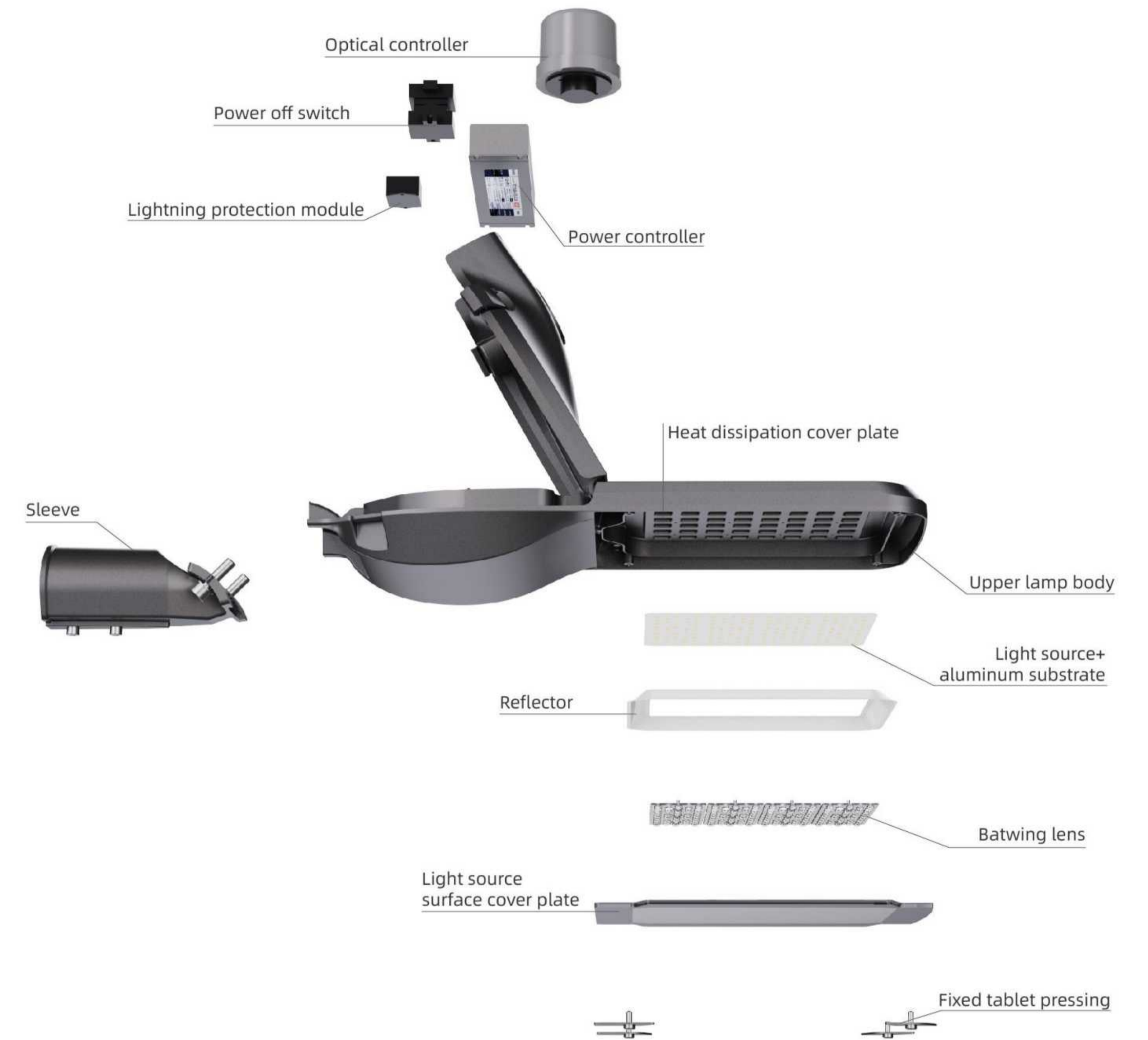


The plug and play design concept allows for simple and safe installation: the factory has installed an 8m connecting cable, which can be installed without opening the lighting fixture. Longer cables can be provided according to requirements.



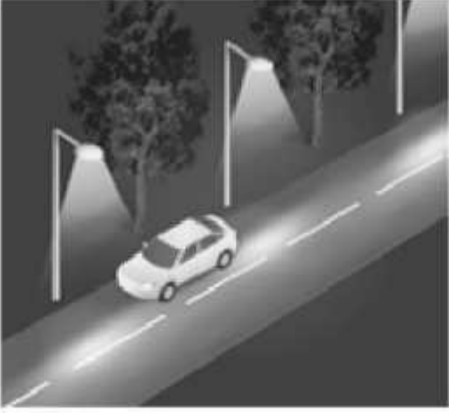
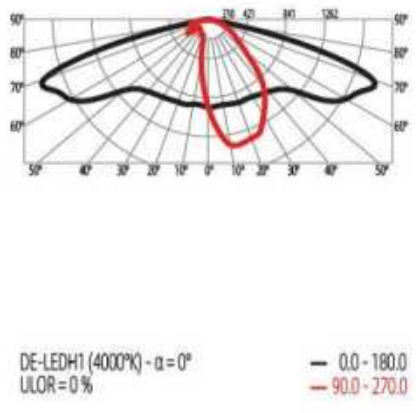
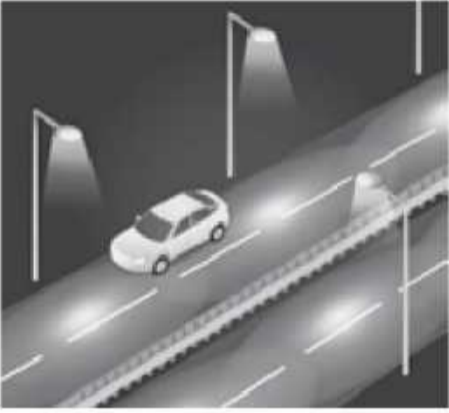
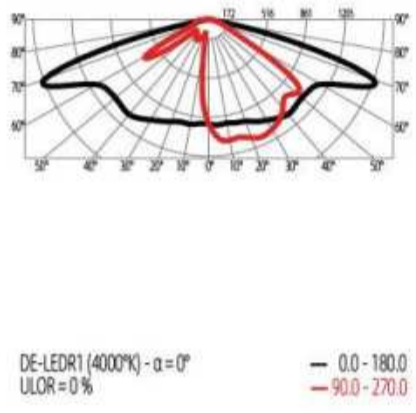

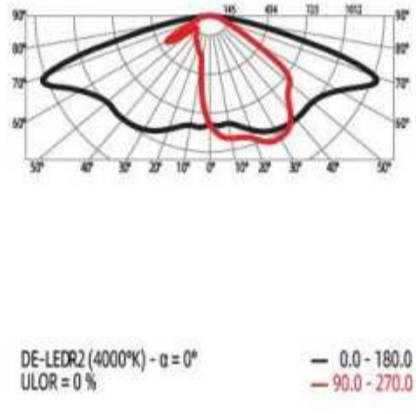

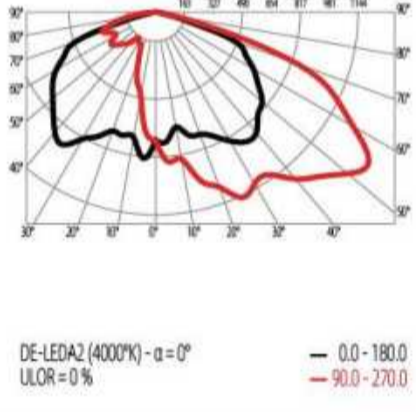
Installation of one lamp and two lamps:
For horizontal and vertical installation, suitable installation methods can be selected based on different lighting requirements.

Structure display



- ◎ The classic integrated heat dissipation hole design increases heat dissipation efficiency, making the lamp efficient in heat dissipation.
- ◎ There are various optical components to choose from.
- ◎ Independent power drive for easy maintenance.
- ◎ Two installation methods: horizontal installation, vertical installation, and adjustable support angle.
- ◎ The lightning protection module can protect electrical equipment from damage caused by lightning overvoltage, operating overvoltage, and power frequency transient overvoltage.
- ◎ The optical controller can be optionally installed to facilitate optical control and other intelligent controls.

Optical with PC lenses with high visual comfort and uniform lighting distribution, multiple optical distribution options.

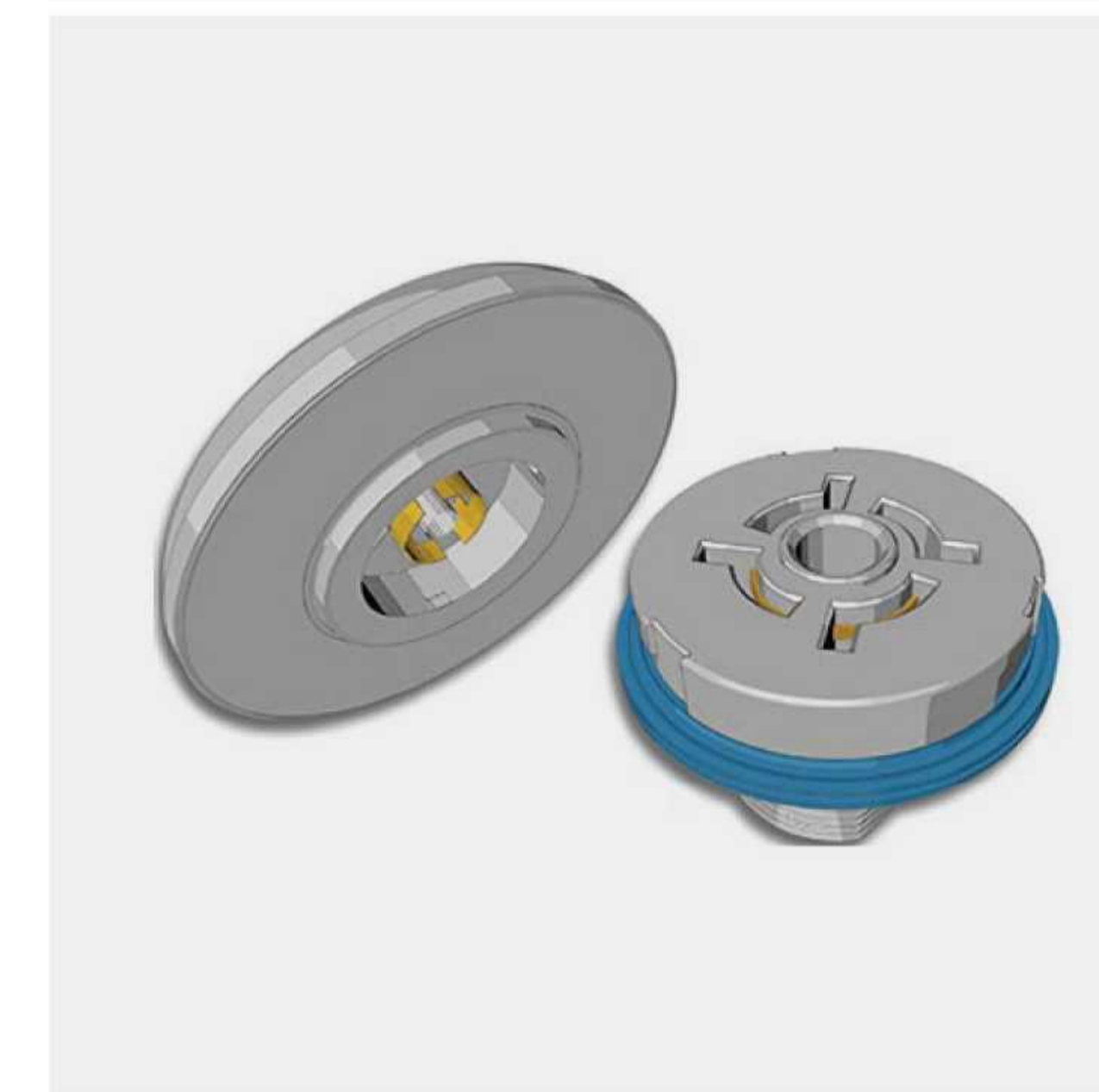
Destination	Distribution	Applications
	 DE-LEDH1 (4000K) - $\alpha=0^\circ$ ULOR=0% — 0.0 - 180.0 — 90.0 - 270.0	Asymmetric Light distribution for roadways with wide distance between two poles. Note: This optic is not dedicated to this application only. It can also be used for other configurations.
	 DE-LEDH1 (4000K) - $\alpha=0^\circ$ ULOR=0% — 0.0 - 180.0 — 90.0 - 270.0	Roadway light distribution for wide streets. Note: This optic is not dedicated to this application only. It can also be used for other configurations.
	 DE-LEDH2 (4000K) - $\alpha=0^\circ$ ULOR=0% — 0.0 - 180.0 — 90.0 - 270.0	The lamps are installed in the asymmetric lighting of low height residential areas. Note: This optic is not dedicated to this application only. It can also be used for other configurations.
	 DE-LEDH2 (4000K) - $\alpha=0^\circ$ ULOR=0% — 0.0 - 180.0 — 90.0 - 270.0	Wide asymmetric light distribution. Note: This optic is not dedicated to this application only. It can also be used for other configurations.



LED CITY CIRCUIT LIGHT SMART CONTROL SYSTEM

The Bluetooth intelligent control system has two kinds of network set-up methods, one is mobile phone directly connect or communicate with the the control modes; and another method is connect the gateway by mobile/PC, then connect to the single control mode.

Features of mobile phone direct control, no need the gateway. Mobile phone connects to the modes by bluetooth signal, it's easy to operate, fast, safe and flexible. Gateway integrated into the control extra central controller required can save total barget, gateways connect each others by mesh network, if one of the gateways fails, the system automatically switches the alternative gateway to ensure the normal operation of the system. Account management features a multi-level permission management, multiple areas with different gateway configurations, and secure access control and configuration capabilities.



ZHAGA standard extension receptacle and cap



NEMA standard receptacle and cap

Versatilee
uniconeel
suo
genere

