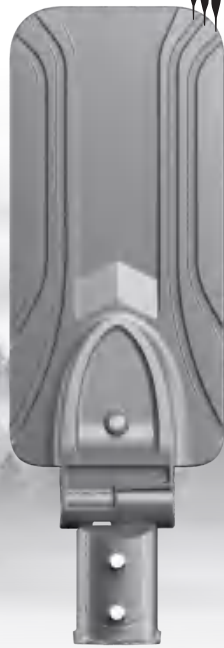


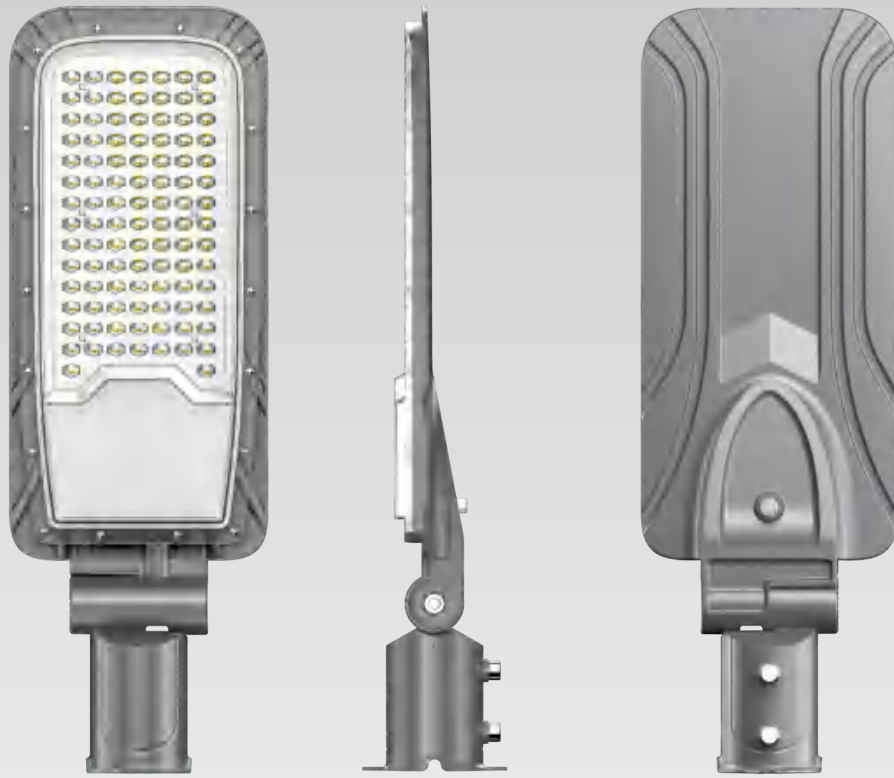
**LED STREET LIGHTS
SWORD SERIES**



SWORD

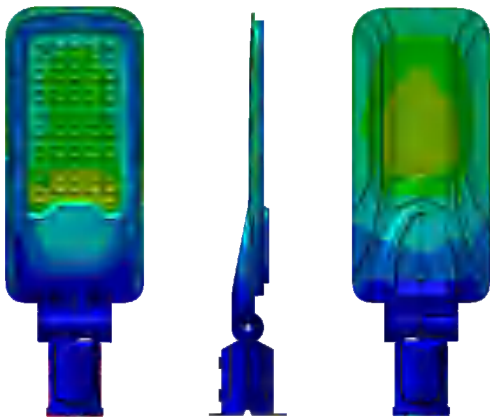


OVERVIEW

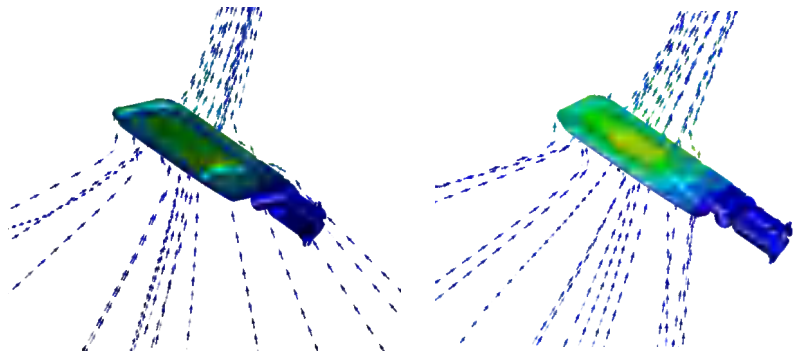


THERMAL CONTROL TECHNOLOGY

Structure optimized by advanced FEA technology to realize fast heat dissipation. Uniform heat distribution and keep high luminous flux to achieve longer lifespan.

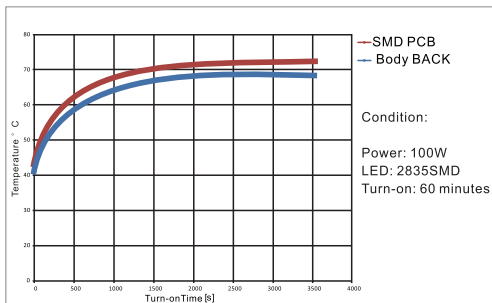


Thermal Conductivity Thermal Conductivity

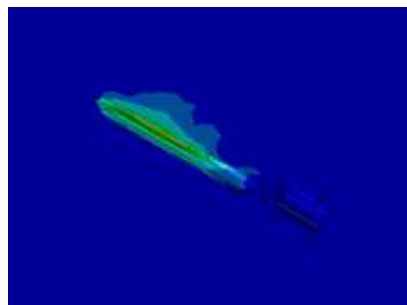


Thermal Air Convection

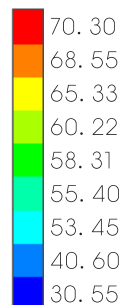
Thermal Air Convection



Temperature Rise Curve



Thermal Effects to Air



Unit:°C

EXPLODED

ADC12 die-casting aluminum body

Highly thermal conductive aluminum PCB

2835 SMD light source

Sensor

Da Da Da

Adjustable die-casting aluminum lamp holder

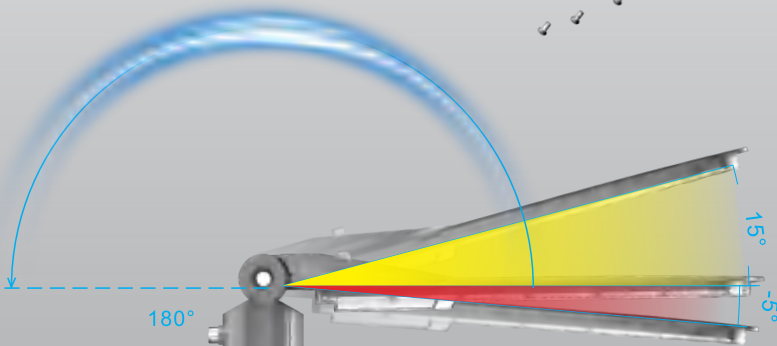
360° rotation

DOB/IC solutions electrical parts

Power compartment cover

UV-proof waterproof silicone gel

Anti-UV optical lens



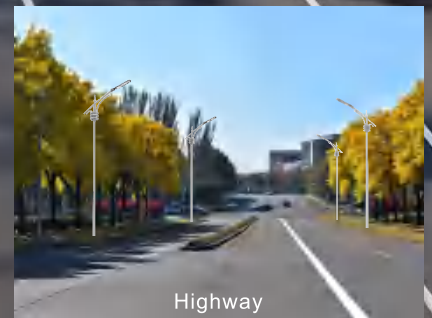
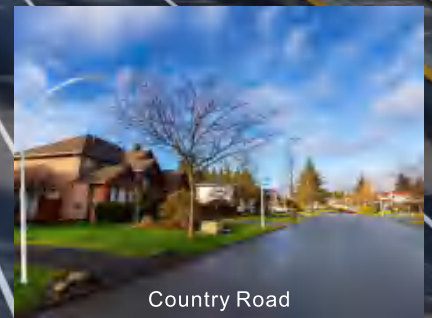
Sensor

APPLICATIONS

Widely applicable for roads, alleys, streets, courtyards, parks, fences, balconies new rural construction etc.

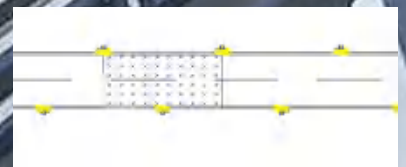
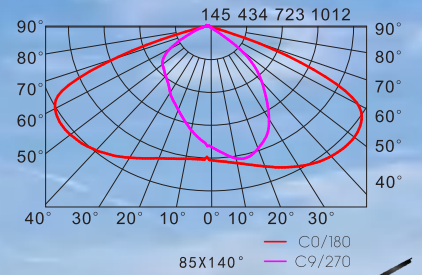
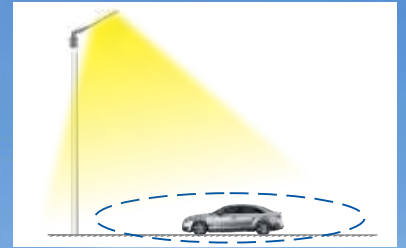


Streamlined design,
dust-resistant housing,
self-cleaning function,
easy maintenance.



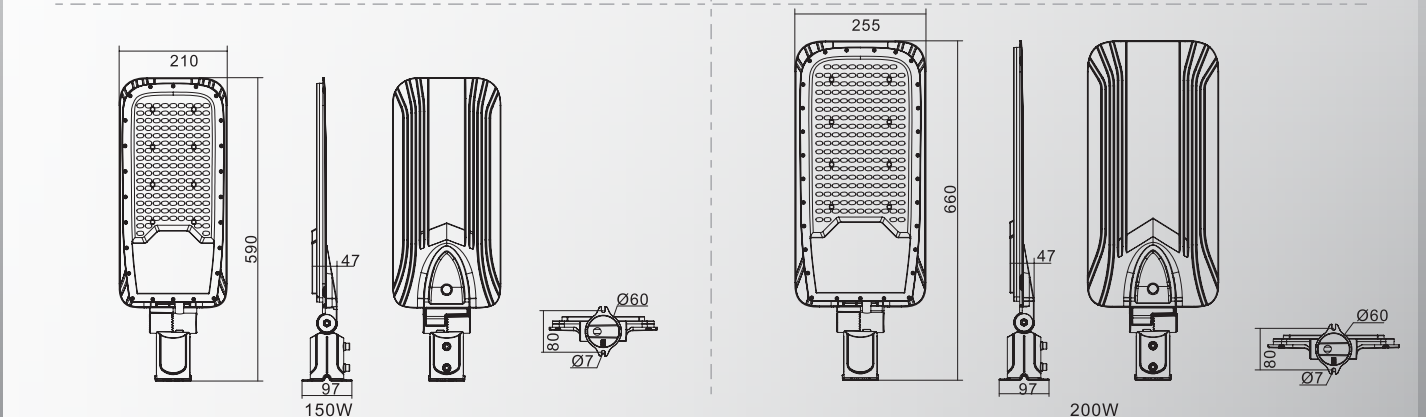
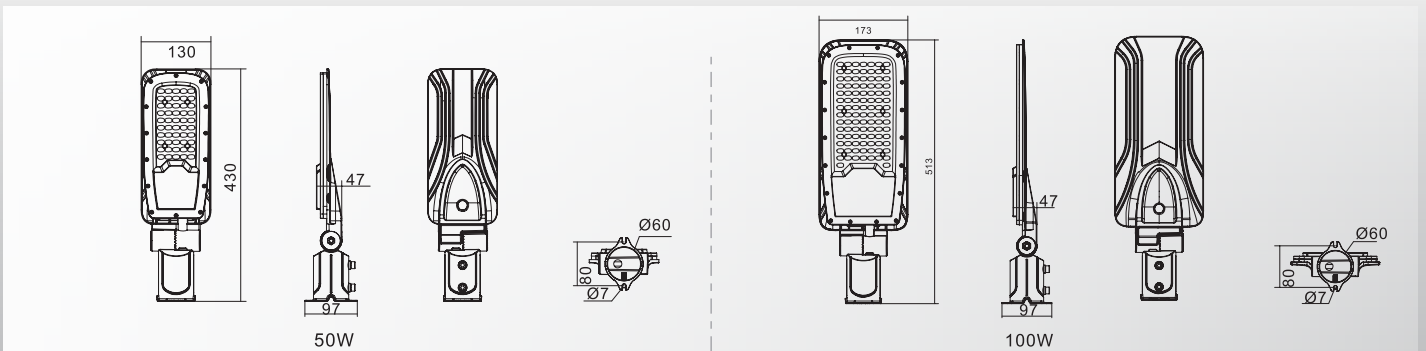
OPTICS

Tech. Support: Please provide the information of road length, width, height and application scene to us. Our professional engineer team will proceed the lighting DIALUS simulation and evaluate the lighting quantity and effect for your project. ies files are available upon request.



SPECIFICATIONS

Unit:mm



INSTALLATION GUIDE



Wall-mounted installation



Horizontal installation



Finished-Horizontal installation



Vertical installation



Finished-Vertical installation

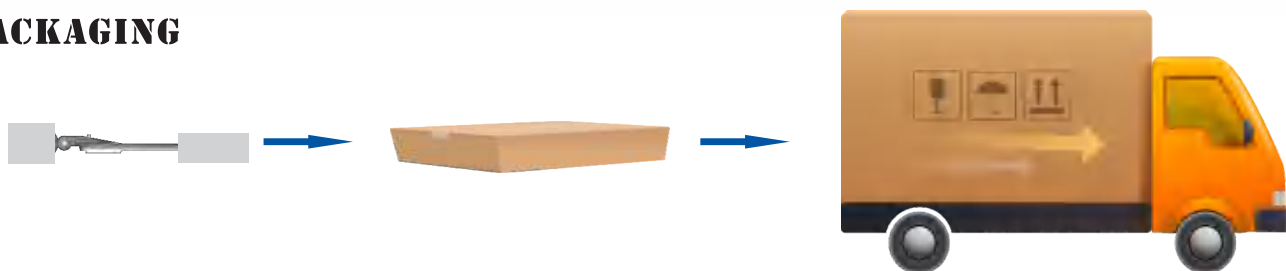
MAIN PARAMETERS

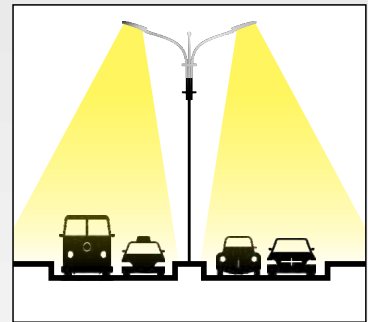
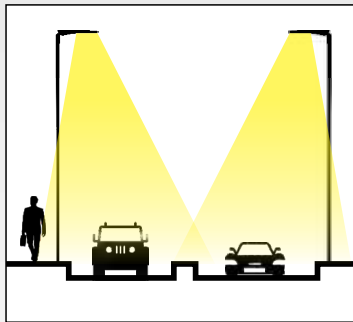
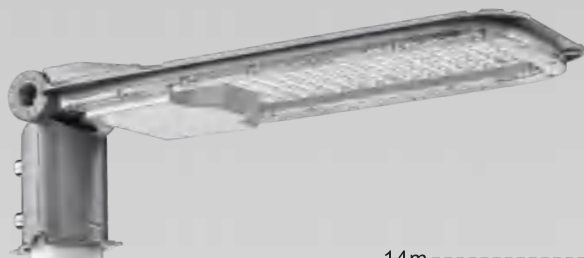
WATTAGE	50W	100W	150W	200W
BODY SIZE	129*330mm	172.6*413.1mm	209.9*490mm	255*560mm
POWER	48W	95W	142W	190W
LEDS	2835 / MTC 1024 Dual Core			
LEDS QUANTITY	72	144	216	288
SPD	≥4KV			
IV	>1.5KV			
LM/W	100-110LM/W			

PACKING SPECIFICATIONS

POWER	Packing quantity	Outer box size	20' GP	40' GP	40HQ
50W					
100W					
150W					
200W					

PACKAGING





FEATURES

1. AC85-265V universal voltage.
2. 2835 high lumen SMD light source. LM-80 report and .ies files are complete.
3. PF>0.9.
4. ADC12 die-cast aluminum lamp body with corrosion-resistant powder coating.
5. IP65 outdoor structural waterproof.

CAUTIONS:

1. Installation must be done by professional electricians.
2. Do NOT dismantle the product. It may be dangerous.
3. Do NOT stare at the light with naked eyes. It is harmful to eyes.
4. For outdoor lighting, waterproof measurements must be done to cable terminals.



STRUCTURAL CLEAR VIEW