

HB MODEL

Solar Flood Light



3 YEARS
WARRANTY



IP65
WATERPROOF



SOLAR
ENERGY



REMOTE
CONTROL

PRODUCT INFORMATION

The HB series is the latest generation of high-powered solar flood lights from HESHI LIGHTING. With up to 100% brighter output and an impressive 180lm/W efficacy, the HB series features true LiFePO4 battery technology and an all-black monocrystalline silicon solar panel, delivering continuous lighting performance from dusk till dawn. The remote control allows effortless setup of lighting modes, timer functions, and more to maximize performance. HESHI LIGHTING solar flood lights also come with a charging indicator light to monitor the charging status at all times.

- 180lm/W efficacy
- LiFePO4 battery technology
- External solar panel with an all-black mono solar panel
- Adjustable modes via remote control
- Adjustable timer lighting functions
- Equipped with a charging indicator light



TECHNICAL INFORMATION

Colour temperature: 3000-8000K

CCT: Single CCT

CRI: 80+

Efficacy: 180lm/W

Beam angle: 80 x 150°

Charge time: 4-6hrs

Dimmable: Yes, via remote

Warranty: 3 Years warranty * 1 year for battery

Life: 50000hrs** (LED), up to 2400 cycles 80% DOD (battery)

LED chip: SMD 5050

Body colour: Black

Cable length: 3m*0.75mm

Mounting method: 45-64mm slip fit adjustable pole mount

Light module tilt: $\pm 40^\circ$

Temperature range: -10°C to 65°C

IP rating: IP65

LED tests: LM79/LM80

Accessories: Additional remote (X6)

Material type: ABS body + glass

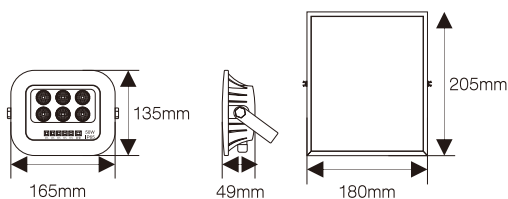
Kit includes: Solar light, instructions, remote control, solar panel and adjustable bracket

*LiFePO4 solar battery & remote - 1 year warranty

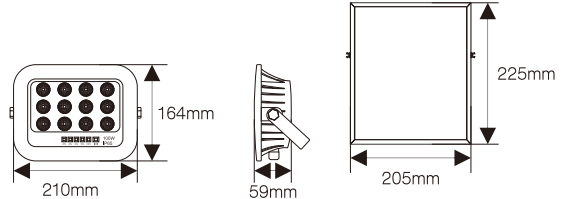
**Average life is calculated on expected average lifespan

Product Model	HS-HB-50W	HS-HB-100W	HS-HB-200W	HS-HB-300W	HS-HB-400W	HS-HB-500W
LED Chip	SMD2835 6pcs	SMD2835 12pcs	SMD2835 24pcs	SMD5050 24pcs	SMD2835 40pcs	SMD2835 40pcs
Wattage	50W	100W	200W	300W	400W	500W
Battery Capacity	3.2V/6AH	3.2V/ 8AH	3.2V/ 12AH	3.2V/16AH	3.2V/ 20AH	3.2V/ 24AH
Solar Panel	5V /6W	5V /8W	5V/ 10W	5V/ 15W	5V/ 20W	5V/ 25W

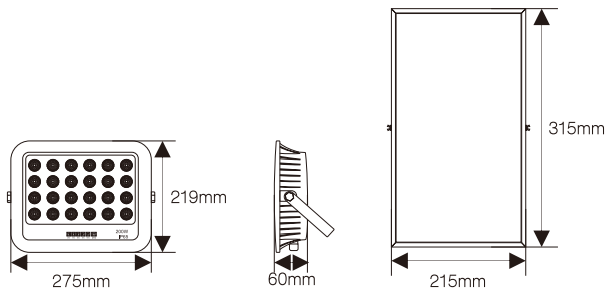
Size



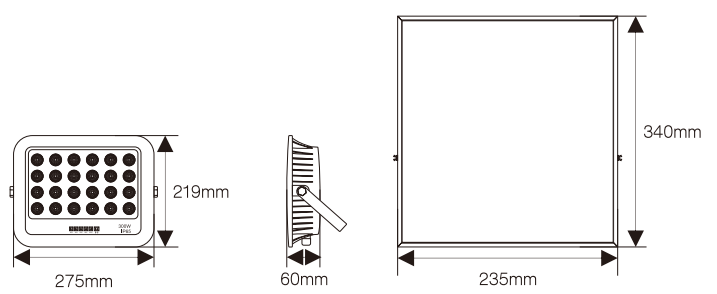
50W



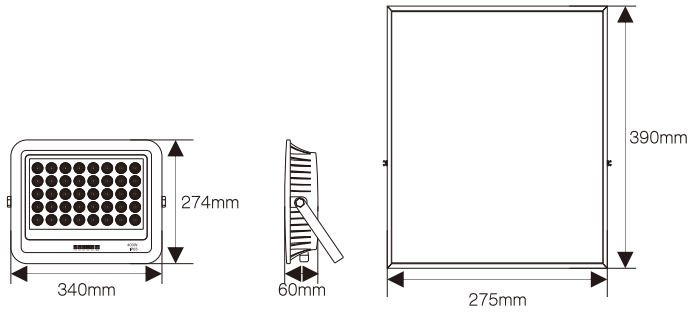
100W



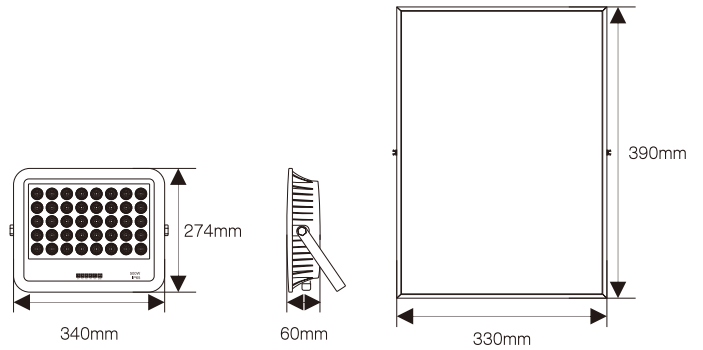
200W



300W

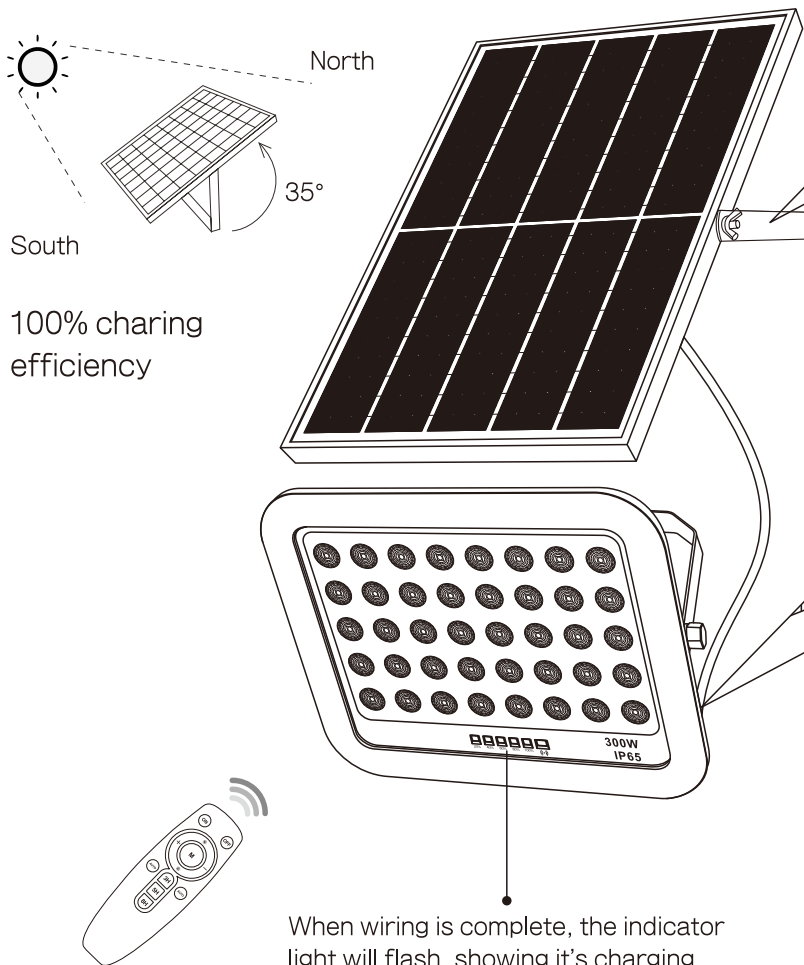


400W



500W

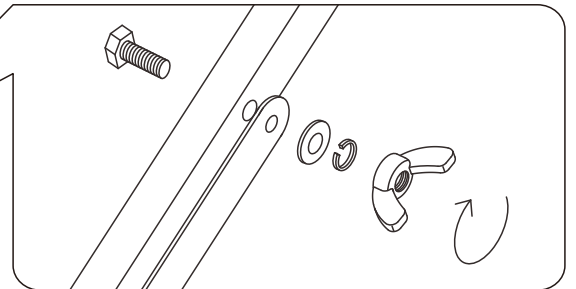
INSTALLATION GUIDE



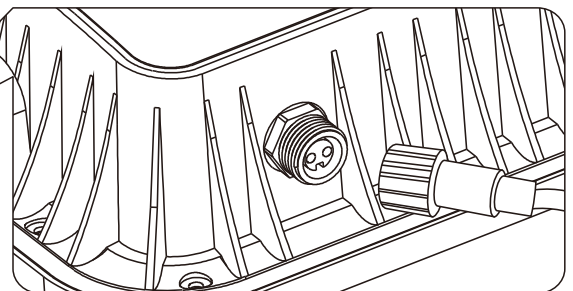
North
35°
South

100% charging efficiency

When wiring is complete, the indicator light will flash, showing it's charging (solar panel is exposed to sunlight).

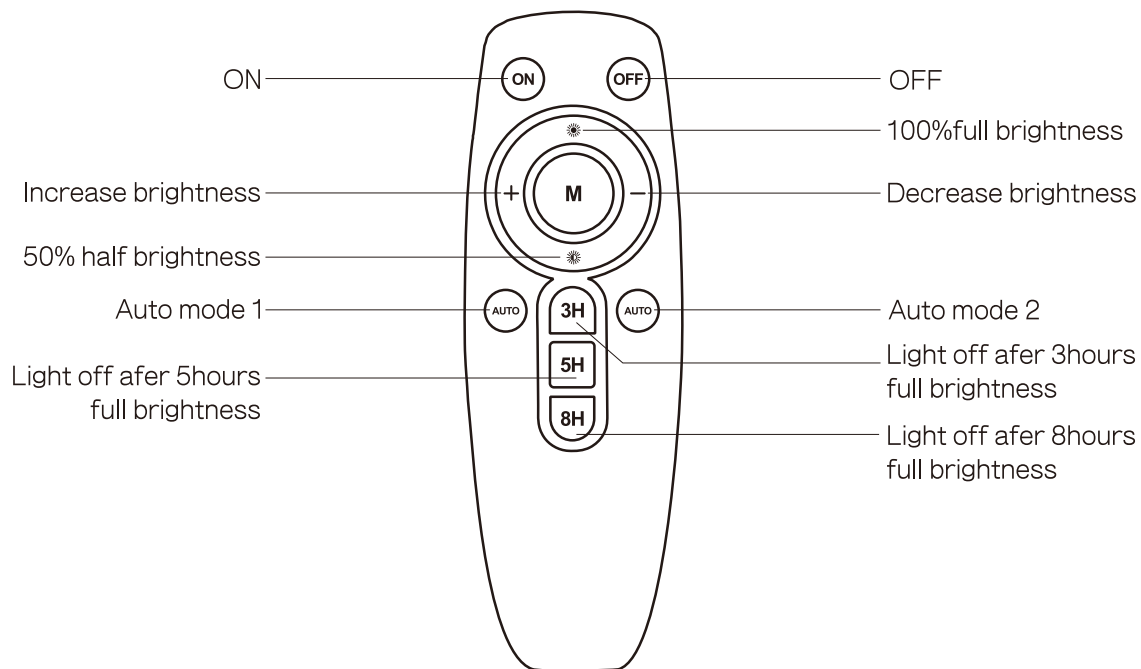


Multiple washers can provide a buffer between the bolt and nut, reducing loosening caused by vibrations.



Using an all-copper power connection cable enables faster charging and features a protective screw cap.

REMOTE CONTROL OPERATION & SETTINGS



Tips:

The lamps will be set with SLEEP MODE, please press AUTO to exit SLEEP MODE, and then connect the lamp with the solar panel will the lamps work well.

Remote Control Keys Description:

ON Key: turn on the light source, charge the light off, turn off the light at night

OFF Key: single press to turn off the light source, two quick presses to enter sleep mode, (light source blinks 3 times).

+ Key and **-** Key: brightness adjustment button with a total of 10 steps, each step of 10% brightness

The brightness can be adjusted by 10% of the brightness in each step.

(100%, 90%, 80%, 70%, 60%, 50%, 40%, 30%, 20%, 10%)

☀ Full and Half Brightness Key: This key is the brightness adjustment key, 100% brightness for full brightness and 50% brightness for half brightness. This key is the brightness adjustment key,

☀ 100% brightness for full brightness, 50% brightness for half brightness.

M Key: Press M key, and the light will flash twice to enter the Radar mode.

There are 2 type radar modes

Mode 1 : The light will auto on 100% brightness during night when someone is detected, and it will last 20 seconds, after 20s, when no one pass, the light will reduce to 10% brightness until next time when somebody is detected.

Mode 2: The light will auto on 100% brightness during night when someone is detected, and it will last 60 seconds, after 60s, when no one pass, the light will off until next time when somebody is detected.

Press M to switch the radar mode, and you will need to press AUTO key to exit radar mode.

AUTO Button: Automatic mode button, press this button to enter the automatic mode.
The light is switched off when charging and on when it is dark.

3H Button: Timer button, the light source flashes 1 time to run the automatic mode The light source flashes once to run the timer function of the automatic mode, turning the light off after 3 hours of operation in the dark until the next dark Continues the 3-hour command.

5H Key: timer button, the light source flashes 1 time to run the timer function of the automatic mode.
The light will turn off after 5 hours of darkness until the next darkness. The 5 hour command continues.

8H Key: timer button, the light source flashes once to run the The light will turn off after 8 hours of darkness until the next darkness. The 8 hour command continues.