

**LED STREET LIGHT
BANANA LEAF SERIES**

50W/100W/150W/200W

IP66



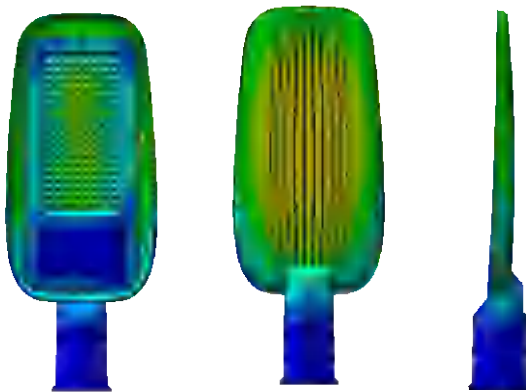
OVERVIEW



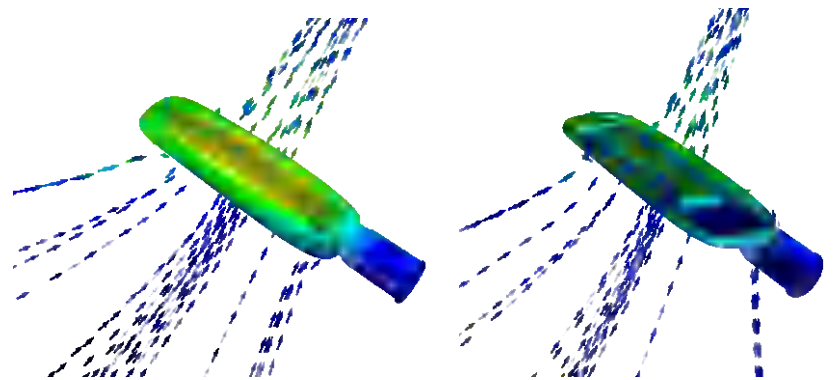
THERMAL MANAGEMENT

Use advanced FEA technology to optimize product heat dissipation structure design.

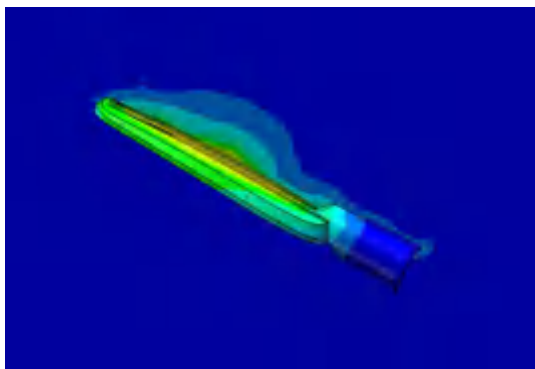
The temperature rise of the lamp is well controlled, the temperature difference between the inside and outside is small, the heat spreads evenly, and the luminous flux maintenance rate is high.



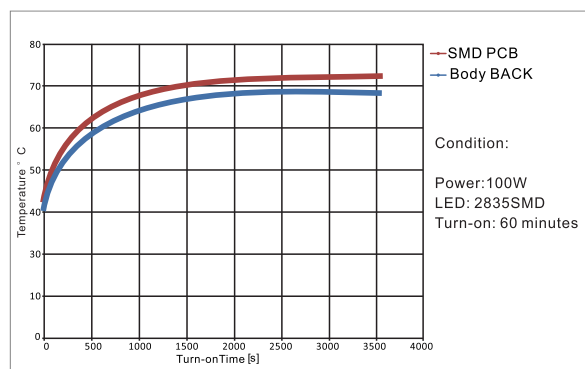
Thermal Conductivity



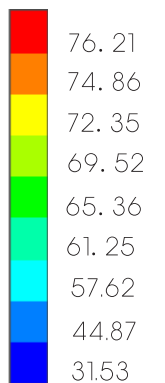
Thermal Air Convection



Thermal Effects to Environment

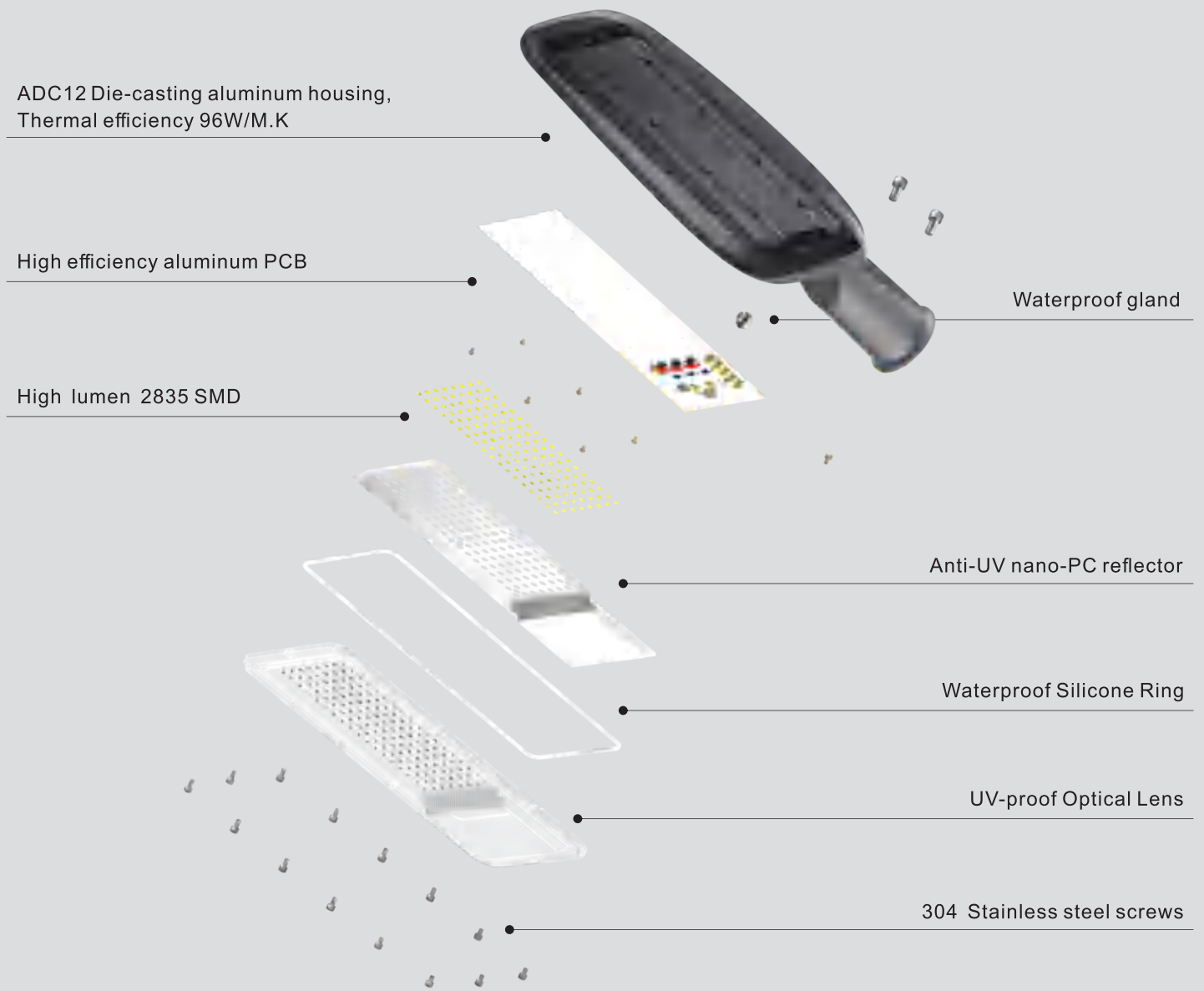


Temperature Rise Curve



Unit: °C

EXPLODED



INSTALLATION INSTRUCTIONS

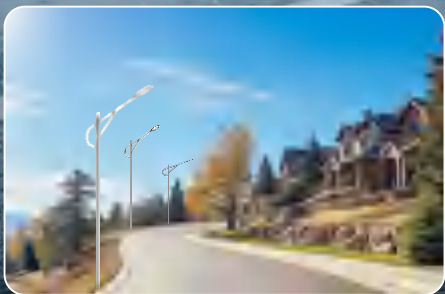


APPLICATIONS

This series of street lights have IP66 protection design.
Widely used in roads, communities, courtyards,
Parks, squares, villas and other scenes.



Street



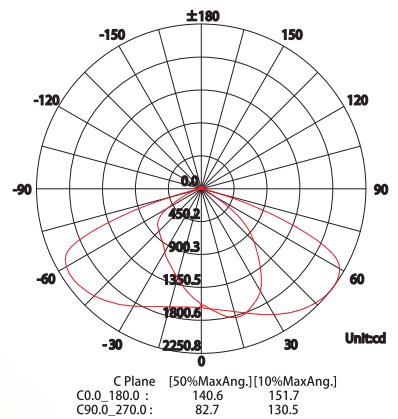
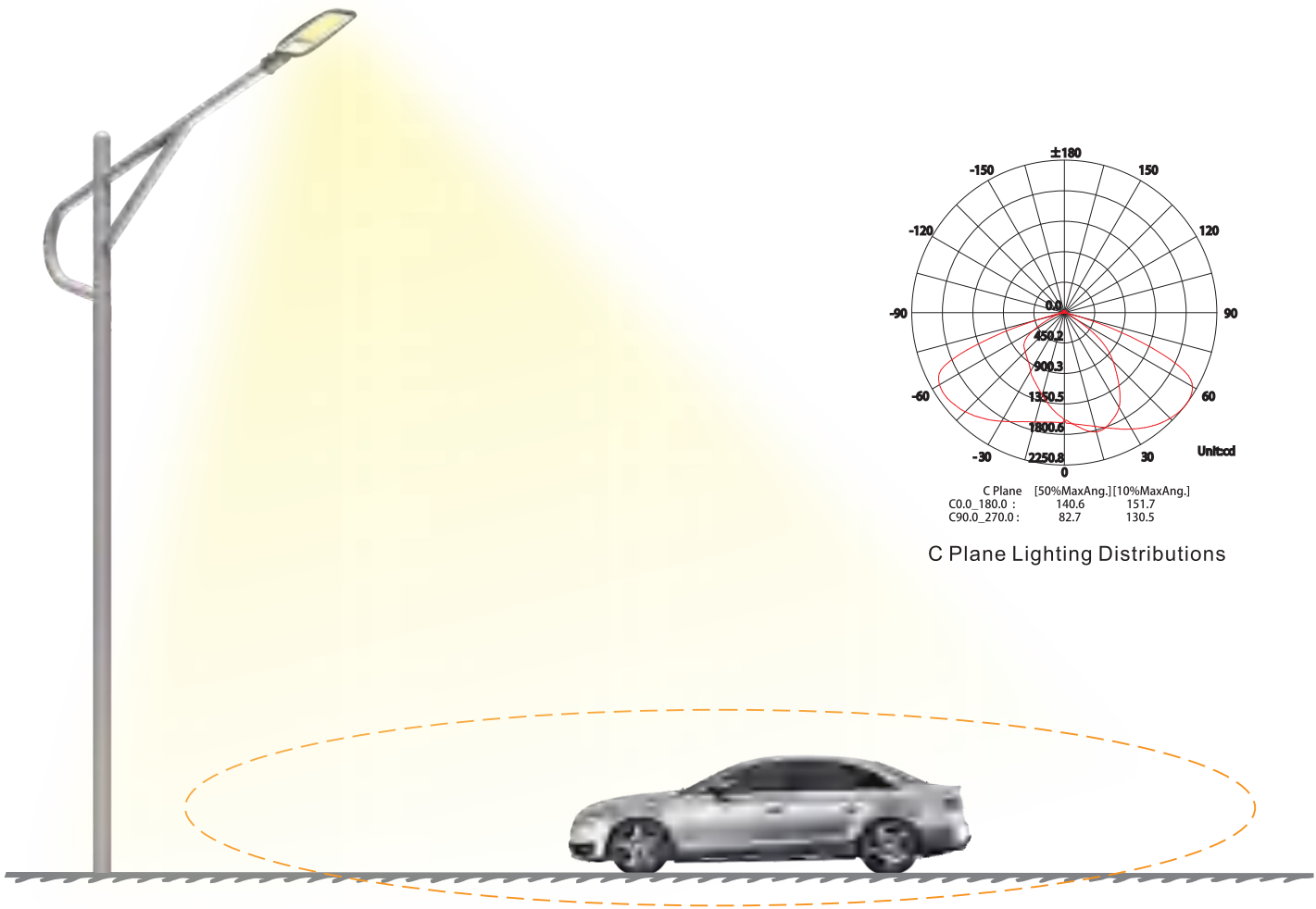
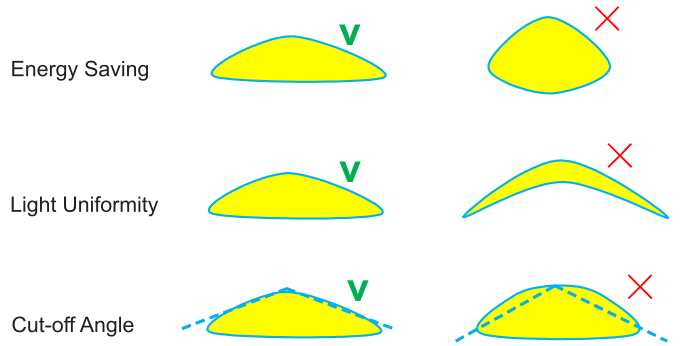
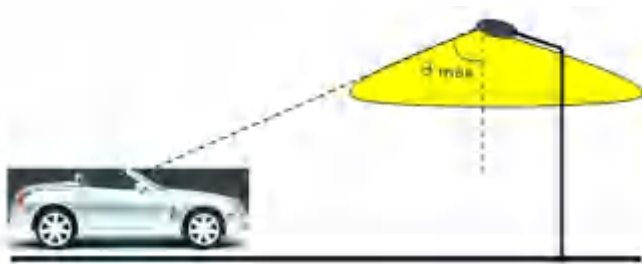
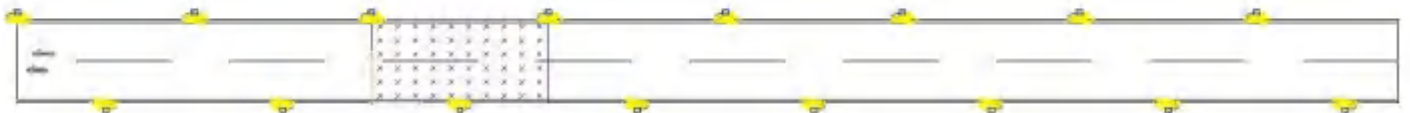
Resort

Streamline Shape
Wind-proof Design

OPTICS

Technical support:

By providing the length, width and other parameters of the space and telling us the purpose of the space, we can conduct professional DIALUX lamp layout simulation for you. Pre evaluate the installation quantity and illumination effect of lamps for your project. We have a complete .ies file for each type of lamp. You are welcome to request it.



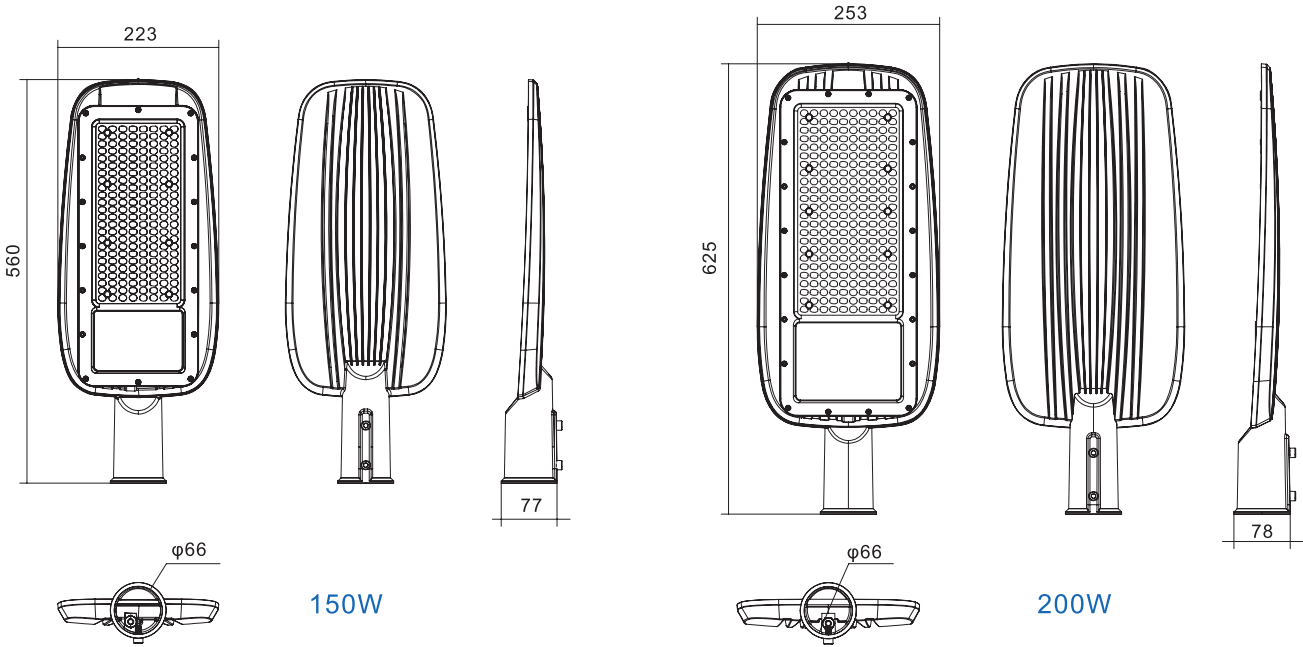
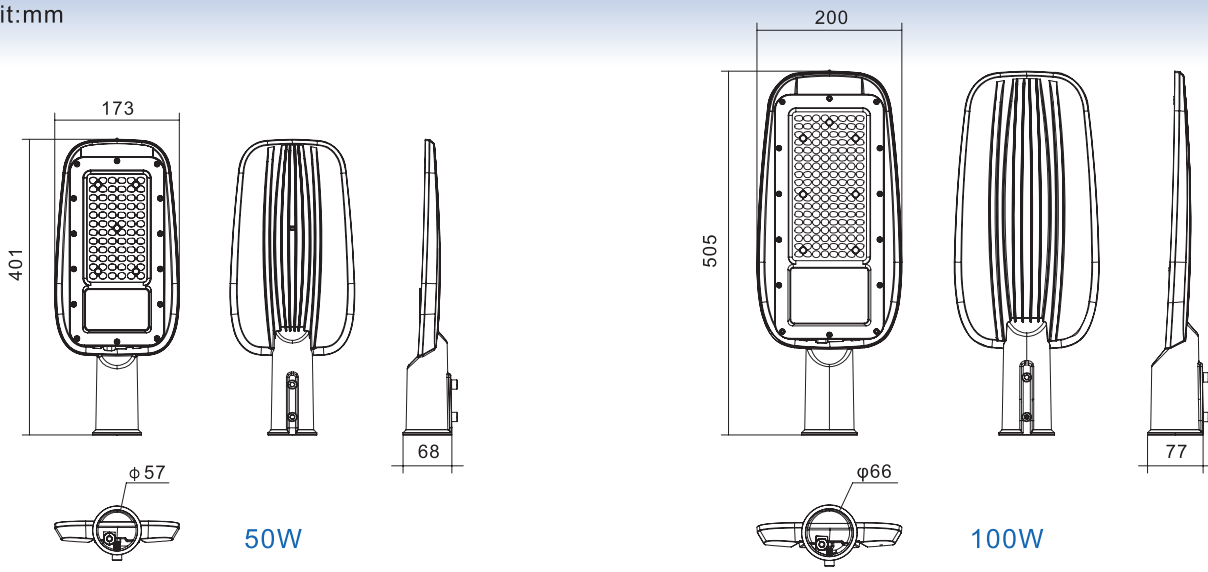
C Plane Lighting Distributions

MODELS



DIAGRAMS

Unit:mm



SPECIFICATIONS

Model	Power	LED Chip	Beam Angle	G.W	Case weight	MTN Size	Inner Box	Qty(pcs)
一体蕉叶	50W	12*6pcs	82x140d	415g	600g	370*375*425mm	410*180*70mm	10
	100W	18*8pcs	82x140d	605g	855g	415*430*520mm	510*205*80mm	10
	150W	24*8pcs	82x140d	745g	1025g	415*245*580mm	565*230*80mm	5
	200W	10*24pcs	82x140d	940g	1350g	415*280*650mm	630*260*80mm	5



Clear view

FEATURES

1. Made of ADC12 die-cast aluminum and integrated molding process. Aluminum material has high heat dissipation utilization rate.
2. 2835 high lumen SMD light source.
3. High thermal conductivity aluminum PCB can quickly dissipate the heat of the lamp chip. Maintain higher lumen maintenance rate of lamps.
4. IP66 outdoor structural waterproofing.

INSTALLATION SUGGESTIONS

