

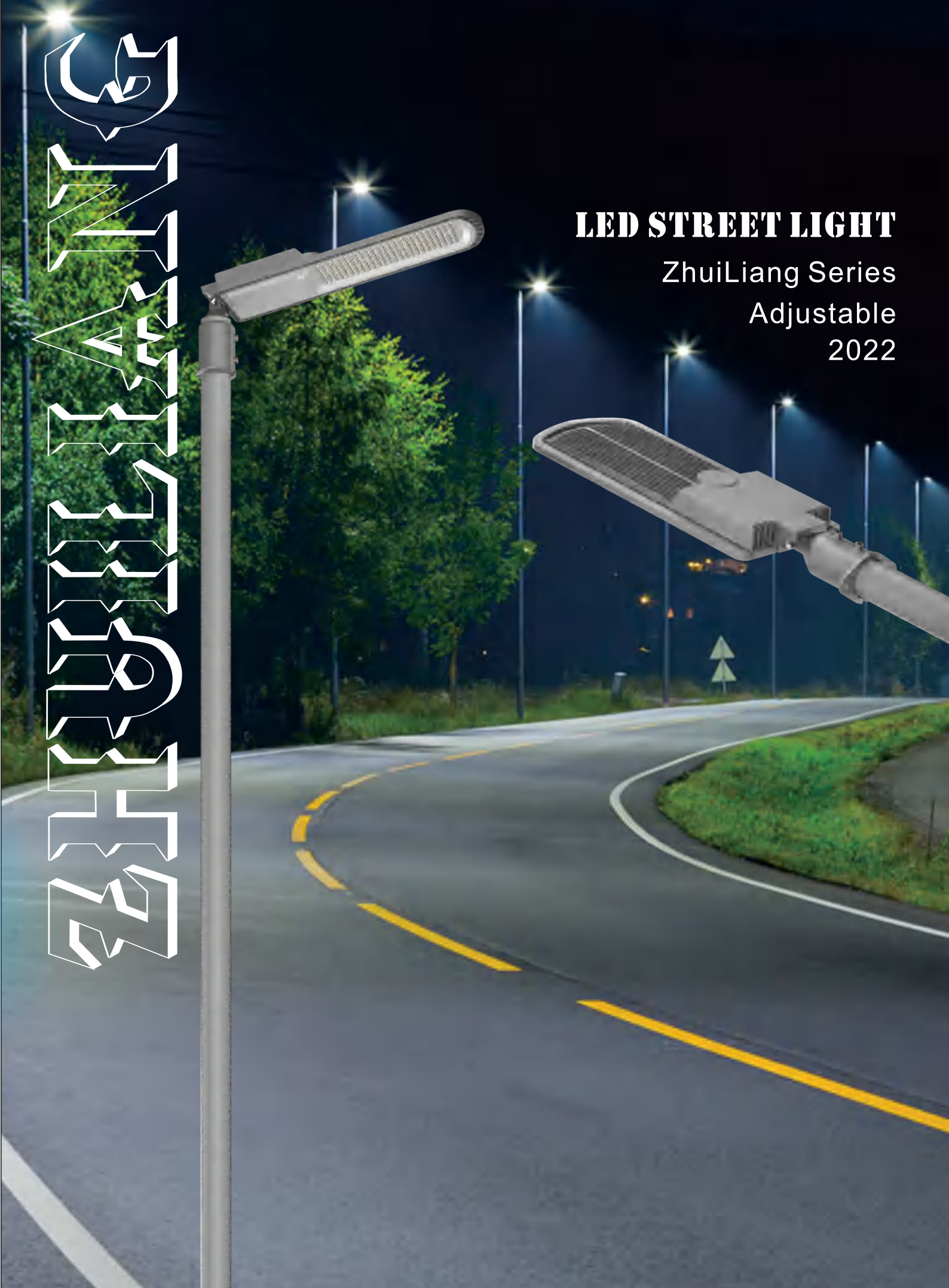
SHUANG
ZHUANG
LED
STREET
LIGHT

LED STREET LIGHT

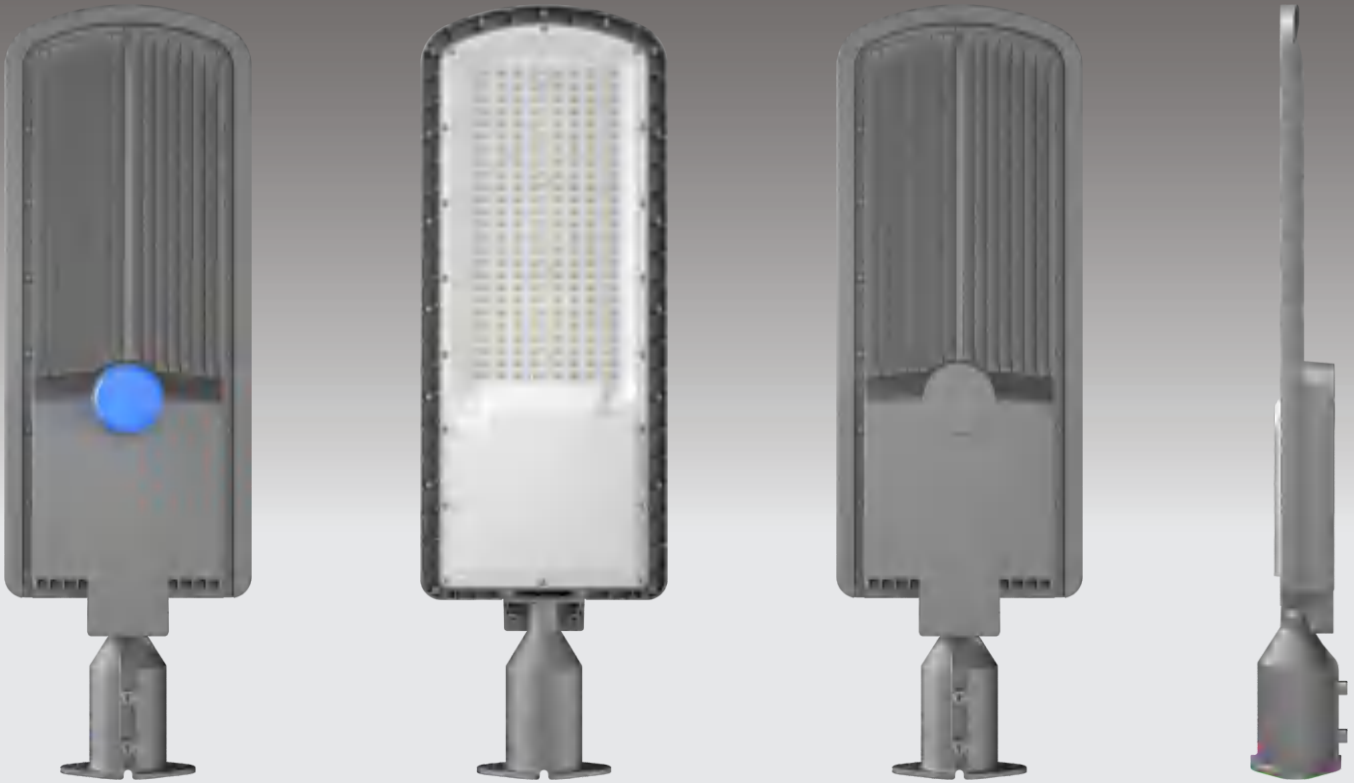
ZhuiLiang Series

Adjustable

2022

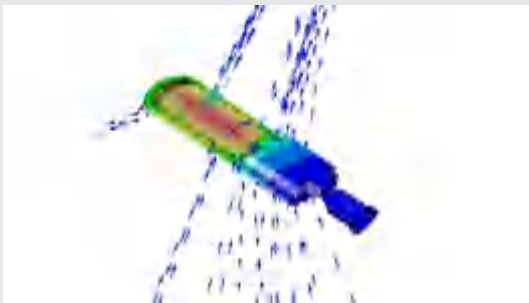


OVERVIEW

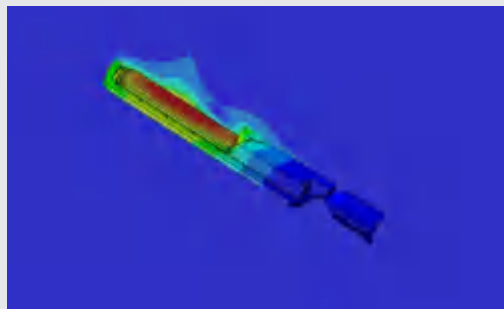


Thermal Management

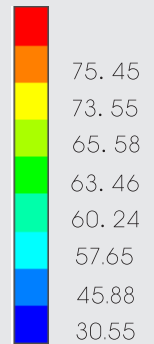
Structure is optimized by advanced FEA technology. Well managed temperature rise between internal and external parts. Even thermal distributions. Higher lumen maintenance rate.



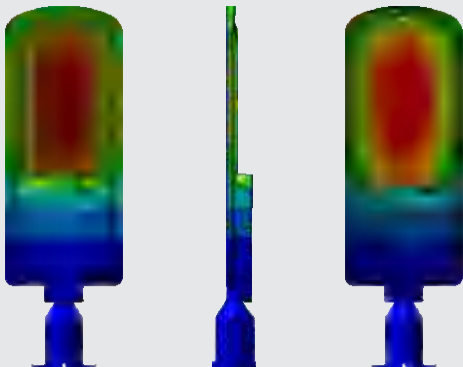
Thermal Air Convection



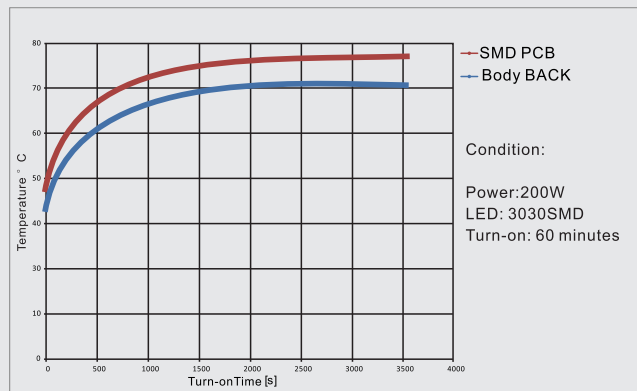
Thermal Effects to Air



Unit: °C



Thermal Conductivity



Temperature Rise

EXPLODED

Optional with sensor

ADC12 die-casting aluminum body,
thermal efficiency up to 96W/M.K.

Highly thermal conductive aluminum pcb

3030SMD light source, lighting
efficacy up to 150lm/W

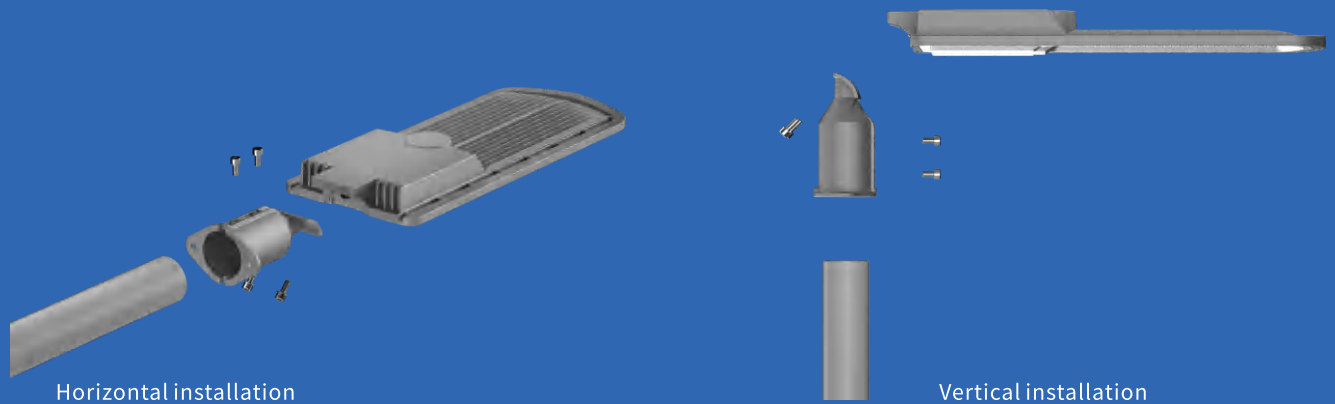
Famous Brand Waterproof
LED Driver

Adjustable lamp holder

UV-proof waterproof silicone gel

UV-proof optical lens.
Precision road lighting distributions.

Two installation methods can be adjusted

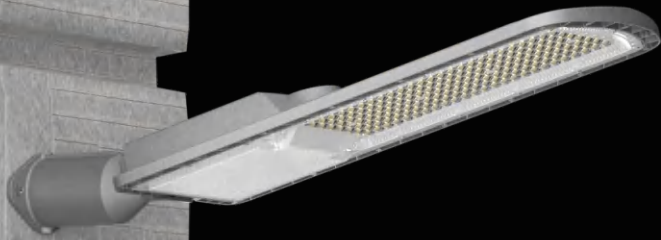


Horizontal installation

Vertical installation

APPLICATIONS

Widely applicable to road, expressways, parks, plazas and villas.

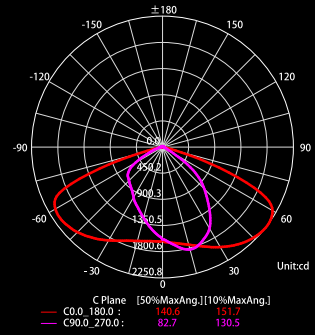
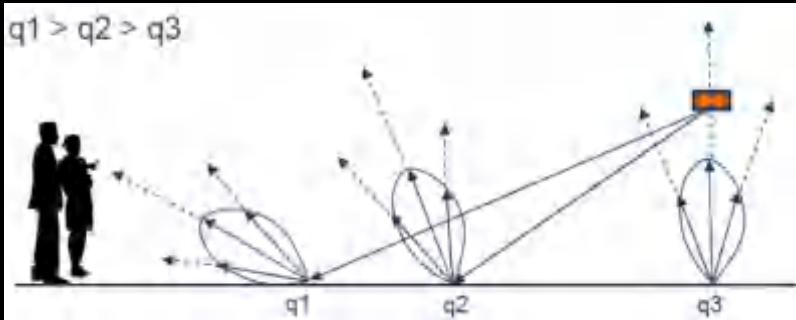


Wall Mounted Installation



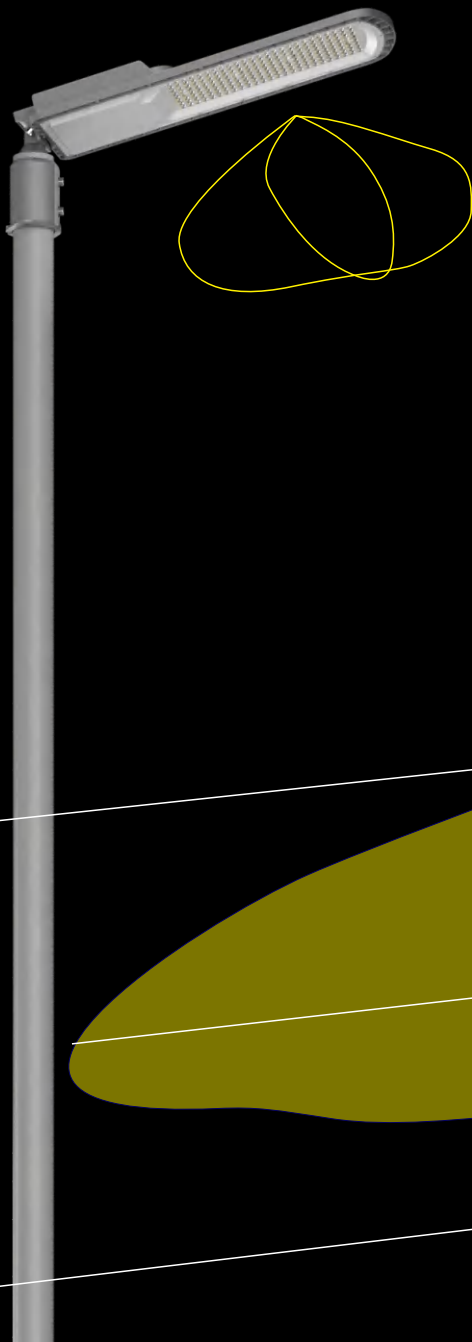
OPTICS

Tech. Support: Tell us the room length, width, height and the usage. We have an engineer team to respond the DIALUX simulations for lights quantity calculation and effects.
 .ies files are available upon request.



Cut-off lighting distribution design Not Dazzling

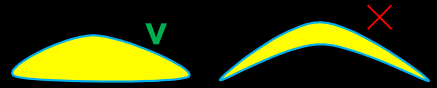
C plane lighting distributions



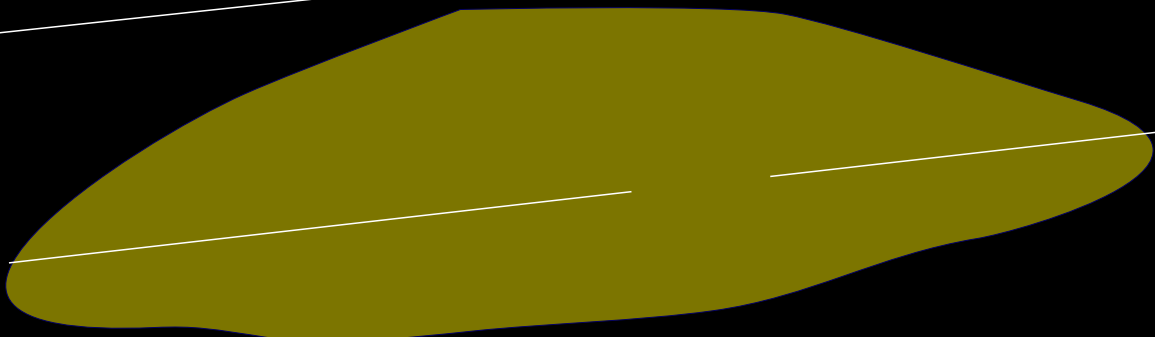
Energy Saving Design



Highly Uniformity Design

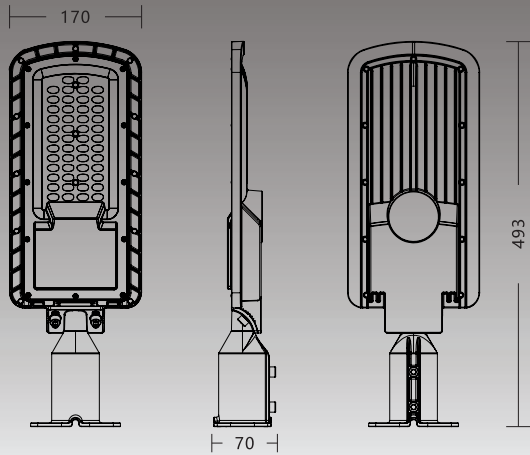


Cut-off Angle Design

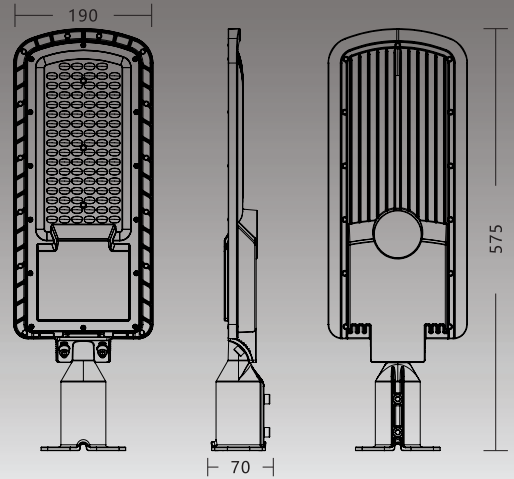


DIAGRAMS

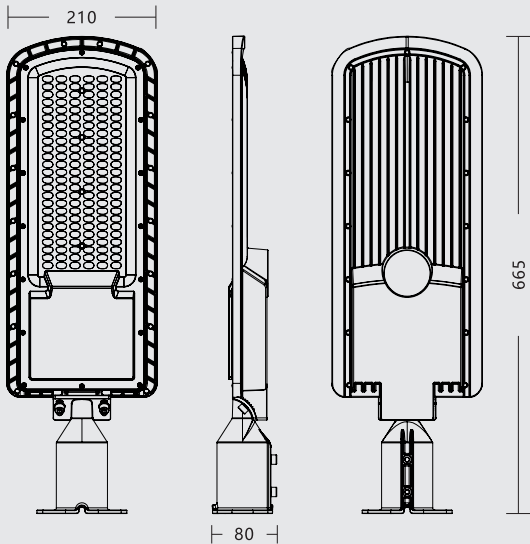
Unit:mm



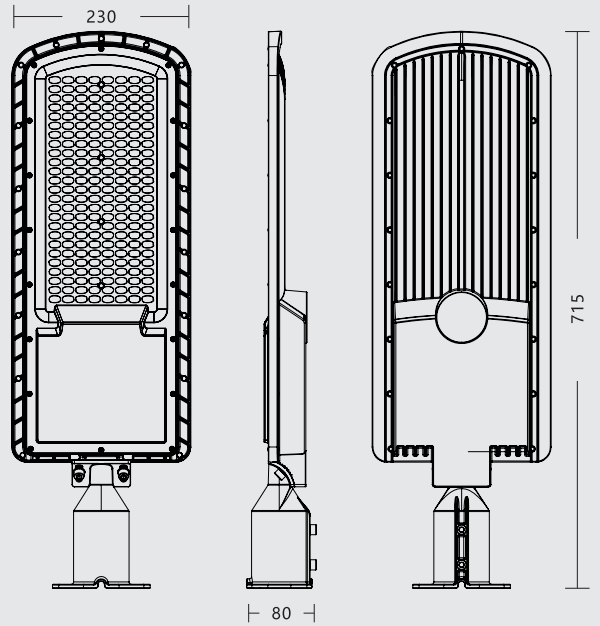
50W



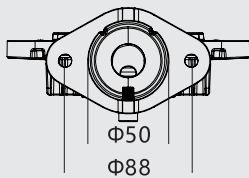
100W



150W

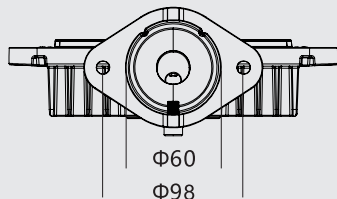


200W



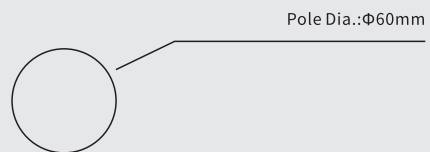
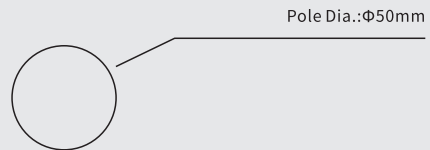
Φ50
Φ88

50W/100W

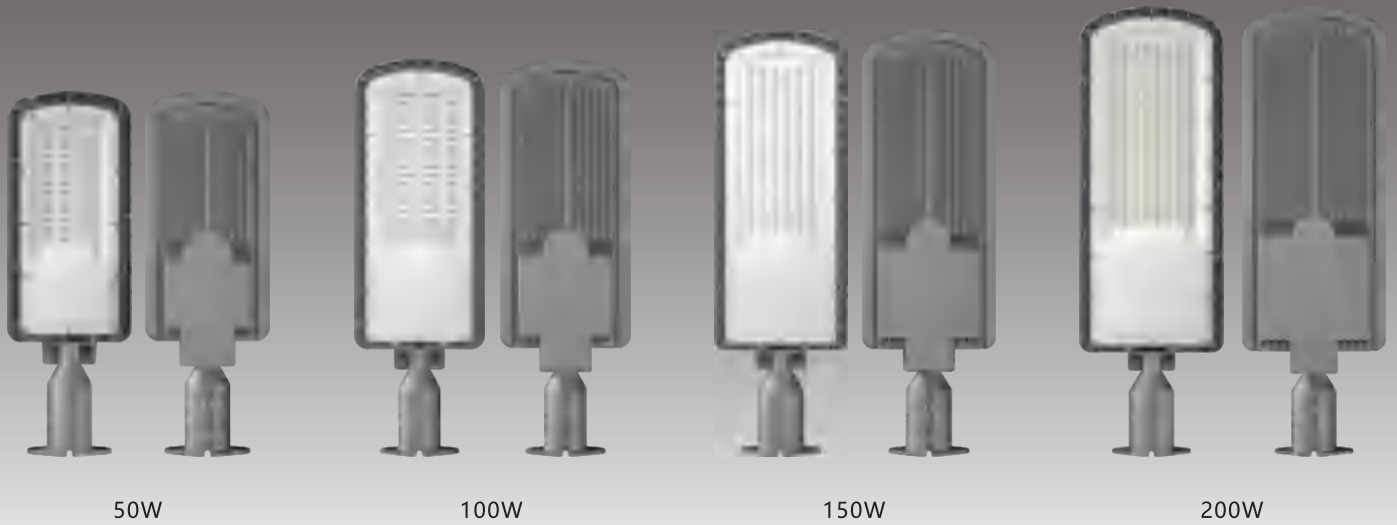


Φ60
Φ98

150W/200W



MAIN PARAMETERS

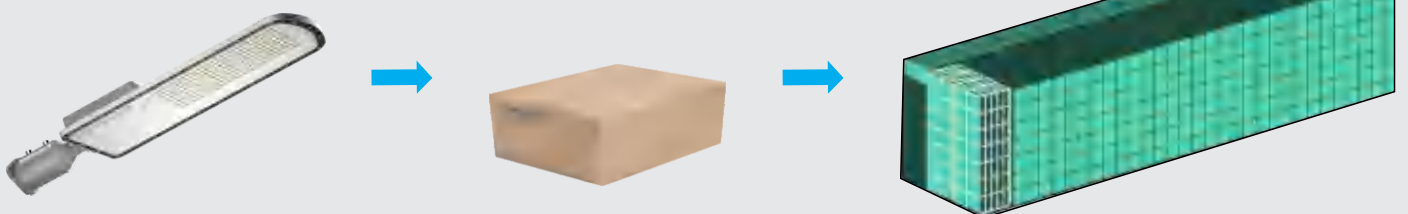


Power	Light Source	Body Size	Battery House Size
50W	3030/10B5C 3030/2B25C	495*170*70mm	105*90*45mm
100W	3030/10B5C*2 3030/4B25C	595*190*70mm	125*90*45mm
150W	3030/10B5C*3 3030/6B25C	665*210*80mm	140*120*50mm
200W	3030/10B5C*4 3030/8B25C	715*230*80mm	160*150*50mm

Packing Information

Power	CTN Size	Qty/CTN	20` GP	40` GP	40HQ
50W	475*365*515mm	10PCS/CTN	3,136PCS	6,496CS	7,616PCS
100W	470*405*595mm	10PCS/CTN	2,472PCS	5,121PCS	6,004PCS
150W	470*225*685mm	5PCS/CTN	1,933PCS	4,003PCS	4,694PCS
200W	470*245*735mm	5PCS/CTN	1,654PCS	3,426PCS	4,017PCS

Packaging





FEATURES:

1. AC85-265V 50/60Hz universal voltage.
2. Light Efficacy up to 150lm/W.
3. High lumen 3030SMD light source , LM-80 Reports and .ies files are ready.
4. Diecasting aluminum body, anti-corrosion painting.
5. IP66 waterproof for outdoor use.

CAUTIONS:

1. Installation must be done by professional electricians. .
2. Do NOT take apart the product. It may be dangerous.
3. Do NOT stare at the light with naked eyes. It is harmful to eyes.
4. For outdoor lighting, waterproof measurements must be done to the cable terminals.

WARRANTY:

1. All LED street lights are warranted by the manufacturer to be free of defects in material and workmanship for 3 years.
2. Warranty becomes void if the products is modified, improperly installed or used, damaged by accident or neglect, or if any parts are improperly installed or replaced by the user,
3. During the period of warranty time, if some products of us fails during normal circumstances and applications or have any defects above defined, we shall at our own choice replace or repair the defective products at no charge. And the liability claims would NOT exceed the value of the product itself.

