

FREELUX 菲瑞克斯



ESL009/ESL010

High luminous efficiency
economical street lamp

CE | CB | RoHS | IP66 | IK09



Entirely flexible. Equipped for everything.

完全灵活且装配齐全。

ESL009 and ESL010 seat intelligent interface - thinking about the future. Take a step ahead.

ESL009和ESL010智能界面——思考未来，领先一步。

Making the future.Green.

Components you can exchange in a breeze.Recycled and recyclable materials. Insect-friendly light colors (e. g.,3,000 K). Illumination without any light pollution or light spill (ULOR O).Environmental protection reflected in every detail.

Patented reflector technology. Non-yellowing covers.Precise illumination.Dark sky. Maximum LED output. Top efficiency. Outstanding visibility.It's all a win-win-win for the next 100,000 hours and beyond.

绿色环保，创造未来。

轻而易举就可以交换的组件。回收和可循环利用的材料。对昆虫无害的光色(如3000 K)，无光污染或光溢出的照明(ULORO)，环保体现在每一个细节上。

专利反射技术。不泛黄的封面。精确的照明。黑暗的天空。最大LED输出。最高效率。出色的可视性这是未来100,000小时的双赢局面。





ESL009

City circuit light series

技术规范/Technical norm

General highlights/总体亮点

Used for any outdoor lighting places such as roads, squares, scenic spots, etc/适用于道路、广场、景点等户外照明场所

Working temperature: -40 ° C/+55 ° C/工作温度: -40°C/+55°C

Adopting buckle design for easy installation and maintenance
采用扣式设计, 便于安装和维护

Using high-quality chips/使用高品质芯片

Less light decay, long-lasting and durable/光衰小, 持久耐用

The sleeve adopts a clamping design/套筒采用夹紧设计

Lamp poles with different calibers/不同口径的灯杆

Excellent heat dissipation/散热性能优异

Optical properties/光学性质

Different lens arrangements in different areas and installation areas
不同区域和安装区域的不同透镜布置

Uniform light distribution/均匀的光分布

Modular design of light source for easy replacement
光源模块化设计, 易于更换

Lumen output (absolute metering): 5400lm-48000lm

流明输出(绝对测光): 5400lm-48000lm

Color temperature: 3000K-7000K/色温: 3000K-7000K

Color rendering index: ≥70/显色指数: ≥70

Shell and Finish/外壳和表面处理

Corrosion resistant die cast aluminum casing/耐腐蚀压铸铝外壳

Electrostatic powder coating/静电粉末涂料

Protection level: IP66/防护等级: IP66

Impact protection: IK09/冲击防护: IK09



ESL009-A



ESL009-B



ESL009-C

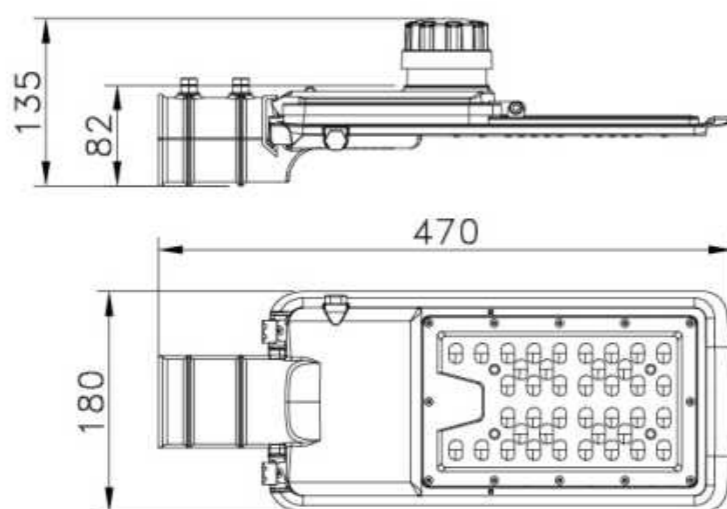


ESL009-D

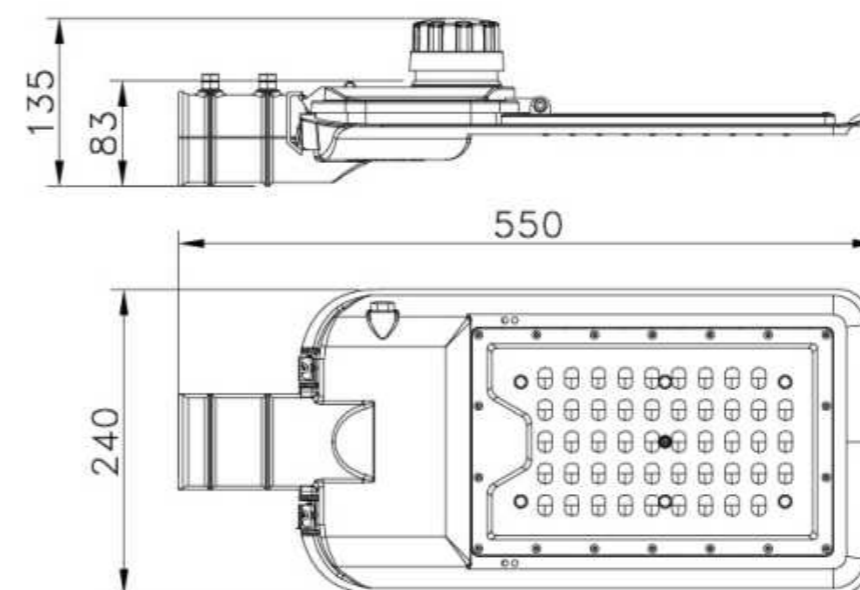
Technical Parameter (技术参数)				
Model/型号	ESL009			
Power/功率	30W-50W	60W-80W	100W-150W	180W-240W
INPUT VOLTAGE/输入电压	AC100-277V			
Frequency range/频率	50-60Hz			
Power factor/功率因数	≥0.95			
luminous flux/光通量	5400lm-10000lm	10800lm-16000lm	18000lm-30000lm	32400lm-48000lm
Whole lighting effect/光效	180-200W/lm			
Color temperature/色温	3000-7000K			
Rendering Index/显色指数	≥70			
Shell color/壳体颜色	RAL 9006			
Material/材质	铝压铸			
Number of LED beads/灯珠颗数	32PCS	48PCS	96PCS	128PCS
Storage temperature/配光类型	T2-M			
Beam angle/发光角度	160°*80°			
Lightning protection level/防雷等级	10KV			
Usage environment/使用环境	-40°C~+55°C			

Product size/产品尺寸 (mm)

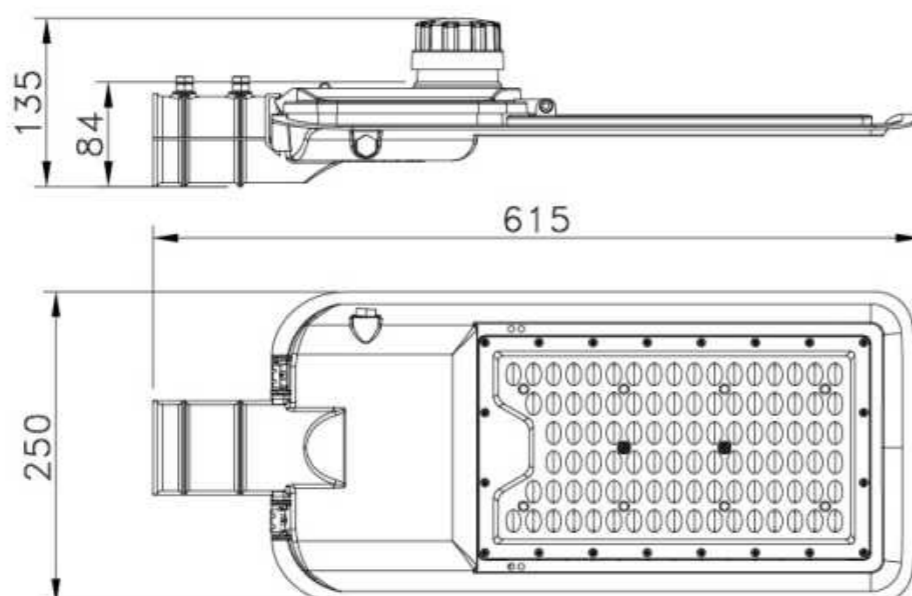
ESL009-A



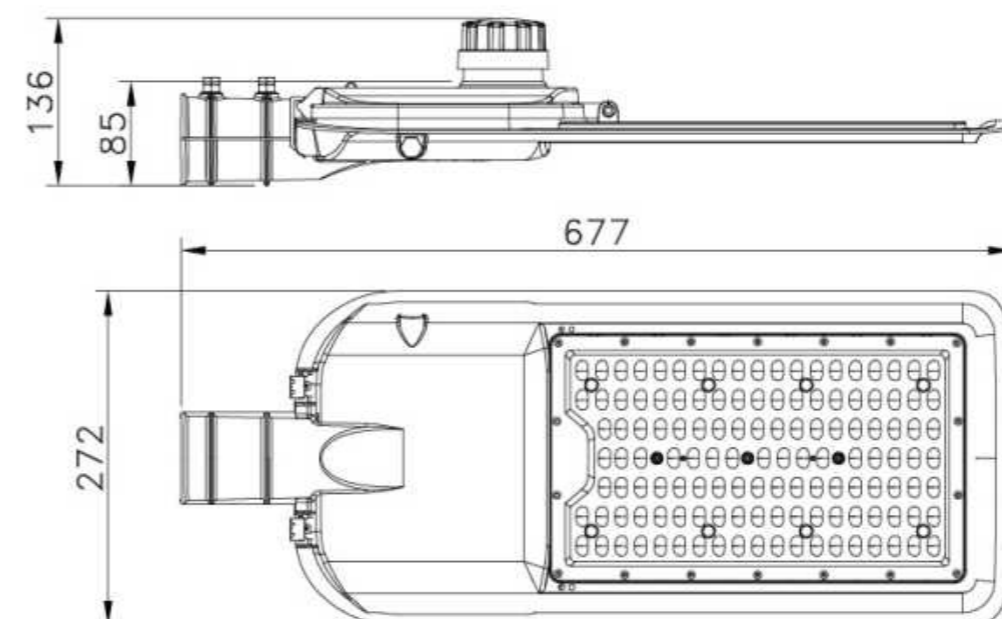
ESL009-B



ESL009-C



ESL009-D





ESL010

City circuit light series

技术规范/Technical norm

General highlights/总体亮点

Used for any outdoor lighting places such as roads, squares, scenic spots, etc/适用于道路、广场、景点等户外照明场所

Working temperature: $-40^{\circ}\text{C}/+55^{\circ}\text{C}$ /工作温度: $-40^{\circ}\text{C}/+55^{\circ}\text{C}$

Adopting buckle design for easy installation and maintenance
采用扣式设计, 便于安装和维护

Using high-quality chips/使用高品质芯片

Less light decay, long-lasting and durable/光衰小, 持久耐用

The sleeve adopts a clamping design/套筒采用夹紧设计

Lamp poles with different calibers/不同口径的灯杆

Excellent heat dissipation/散热性能优异

Optical properties/光学性质

Different lens arrangements in different areas and installation areas
不同区域和安装区域的不同透镜布置

Uniform light distribution/均匀的光分布

Modular design of light source for easy replacement
光源模块化设计, 易于更换

Lumen output (absolute metering): 5400lm-48000lm

流明输出(绝对测光): 5400lm-48000lm

Color temperature: 3000K-7000K/色温: 3000K-7000K

Color rendering index: ≥ 70 /显色指数: ≥ 70

Shell and Finish/外壳和表面处理

Corrosion resistant die cast aluminum casing/耐腐蚀压铸铝外壳

Electrostatic powder coating/静电粉末涂料

Protection level: IP66/防护等级: IP66

Impact protection: IK09/冲击防护: IK09



ESL010-A



ESL010-B



ESL010-C

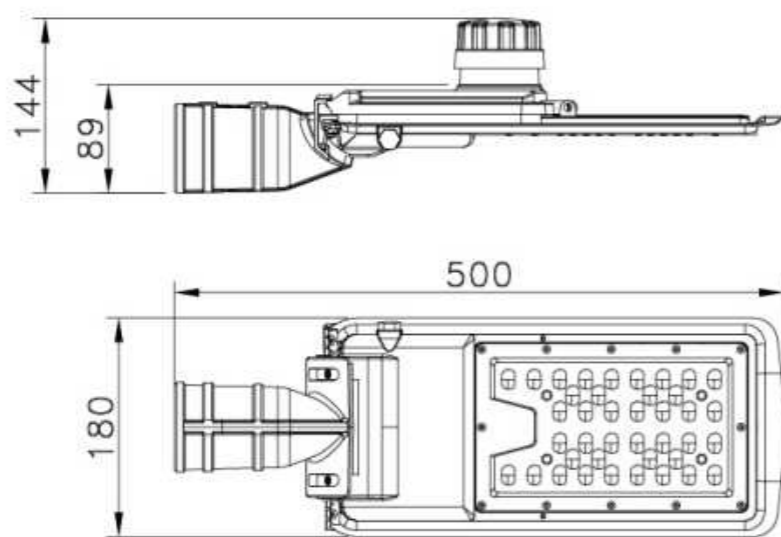


ESL010-D

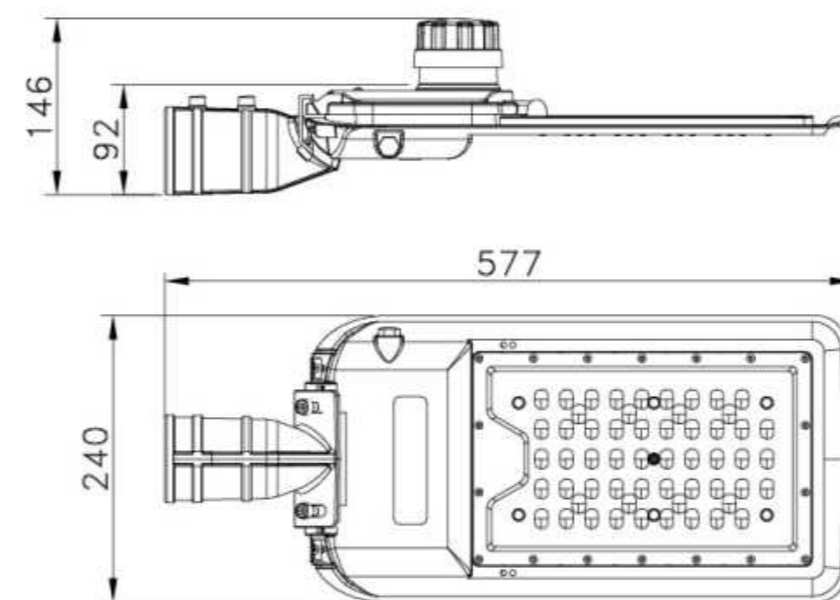
Technical Parameter (技术参数)				
Model/型号	ESL010			
Power/功率	30W-50W	60W-70W	80W-150W	180W-240W
INPUT VOLTAGE/输入电压	AC100-277V			
Frequency range/频率	50-60Hz			
Power factor/功率因数	≥0.95			
luminous flux/光通量	5400lm-10000lm	10800lm-14000lm	14400lm-30000lm	32400lm-48000lm
Whole lighting effect/光效	180-200W/lm			
Color temperature/色温	3000-7000K			
Rendering Index/显色指数	≥70			
Shell color/壳体颜色	RAL 9006			
Material/材质	铝压铸			
Number of LED beads/灯珠颗数	32PCS	48PCS	96PCS	144PCS
Storage temperature/配光类型	T2-M			
Beam angle/发光角度	160°*80°			
Lightning protection level/防雷等级	10KV			
Usage environment/使用环境	-40°C~+55°C			

Product size/产品尺寸 (mm)

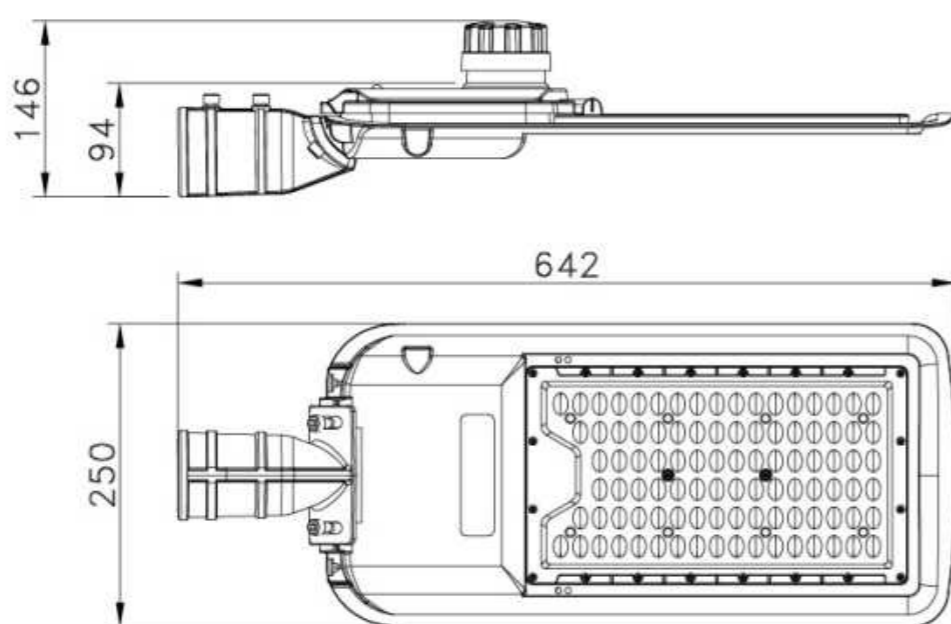
ESL010-A



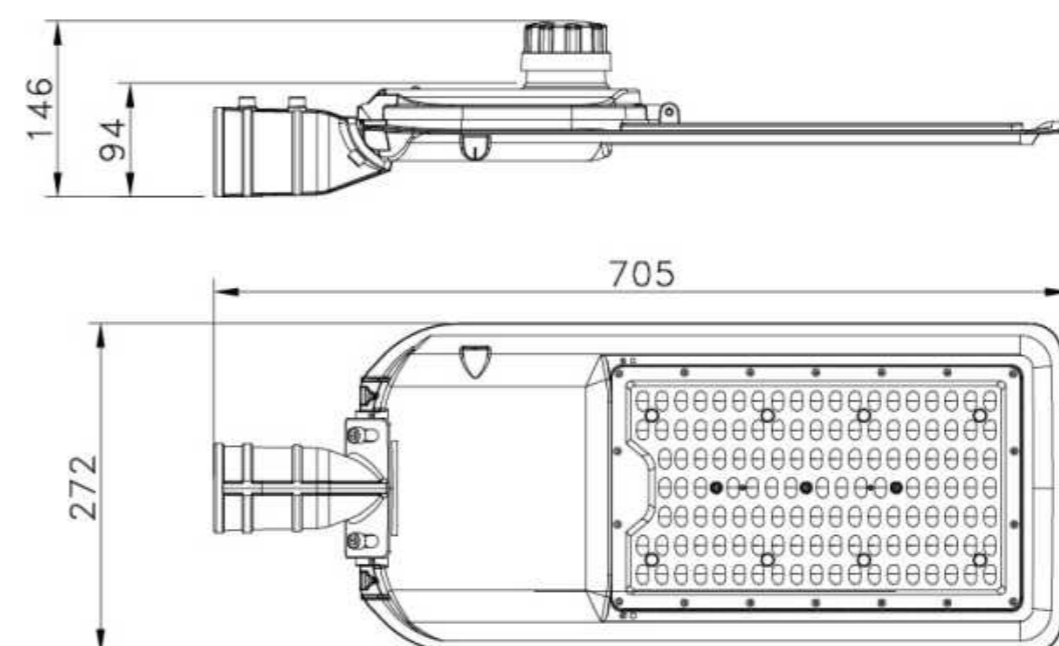
ESL010-B



ESL010-C



ESL010-D





From positive 30 degrees to negative 90 degrees, it can be quickly installed and adjusted using a hex wrench.
正30度至负90度，均可通过六角扳手调节快速安装调节

ESL009 Installation method



Horizontal installation/水平安装



Horizontal installation/水平安装

ESL010 Installation method



Unified method of horizontal/vertical installation
水平/垂直安装统一方式

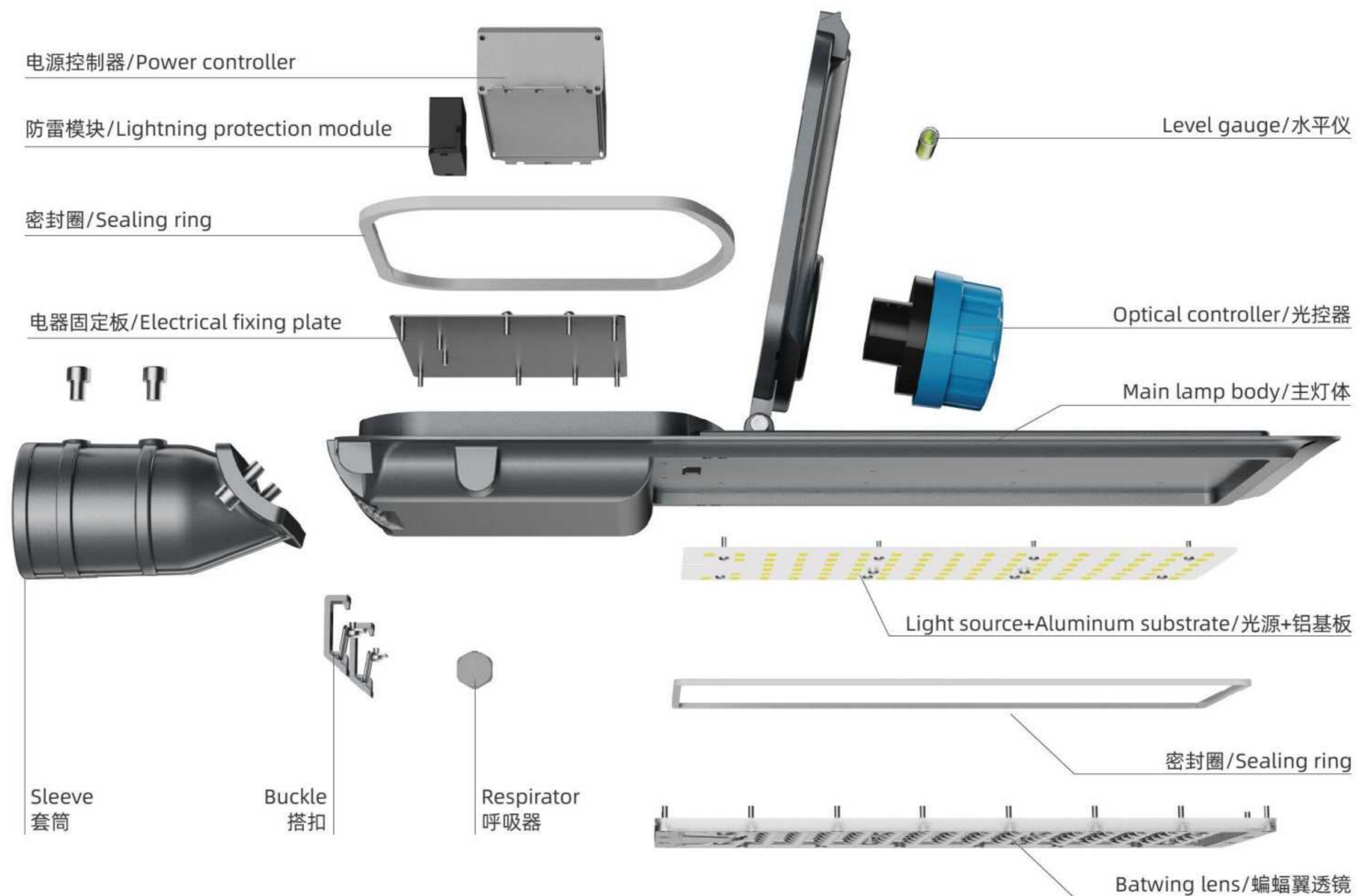
Traditional mode/传统模式:

(1) When choosing the installation method for the product, it is necessary to loosen the screws and change the direction of the sleeve.
选择产品安装方式时，是需要松掉螺丝调换套筒方向。

(2) After the installation of the lighting fixture, if it is necessary to adjust the angle according to the lighting requirements, it is necessary to loosen the screws, which makes the installation complex.

灯具应用安装后，若需根据配光要求，调节角度时，是需要松开螺丝，安装复杂。

Exploded view/爆炸图



- ◎ The classic integrated heat dissipation hole design increases heat dissipation efficiency, making the lamp efficient in heat dissipation.
经典的集成散热孔设计提高了散热效率，使灯具散热高效。
- ◎ There are various optical components to choose from.
有各种光学元件可供选择。
- ◎ Independent power drive for easy maintenance.
独立动力驱动，易于维护。
- ◎ Two installation methods: horizontal installation, vertical installation, and adjustable support angle.
两种安装方式：水平安装、垂直安装、可调支撑角度。
- ◎ The lightning protection module can protect electrical equipment from damage caused by lightning overvoltage, operating overvoltage, and power frequency transient overvoltage.
雷电保护模块可以保护电气设备免受雷电过电压、操作过电压、雷击电压、雷击电流、雷击电流等造成的损坏,以及工频瞬态过电压。
- ◎ The optical controller can be optionally installed to facilitate optical control and other intelligent controls.
光学控制器可以可选地安装，以方便光学控制和其他智能控制。

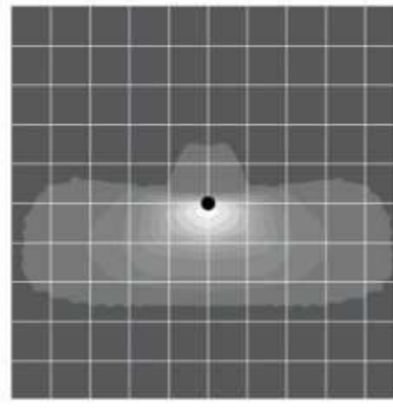
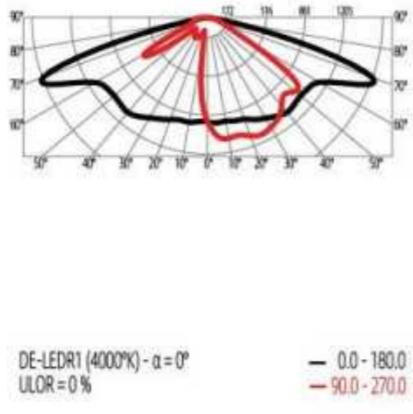
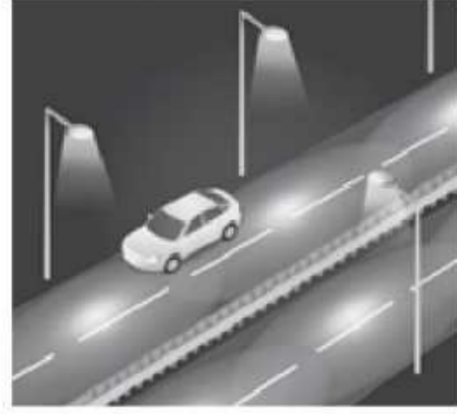
Street lamp series

Optical with PC lenses with high visual comfort and uniform lighting distribution, multiple optical distribution options.
 配备PC镜头的光学系统，具有高视觉舒适度和均匀的照明分布，多种光学分布选项。

Destination/目的地

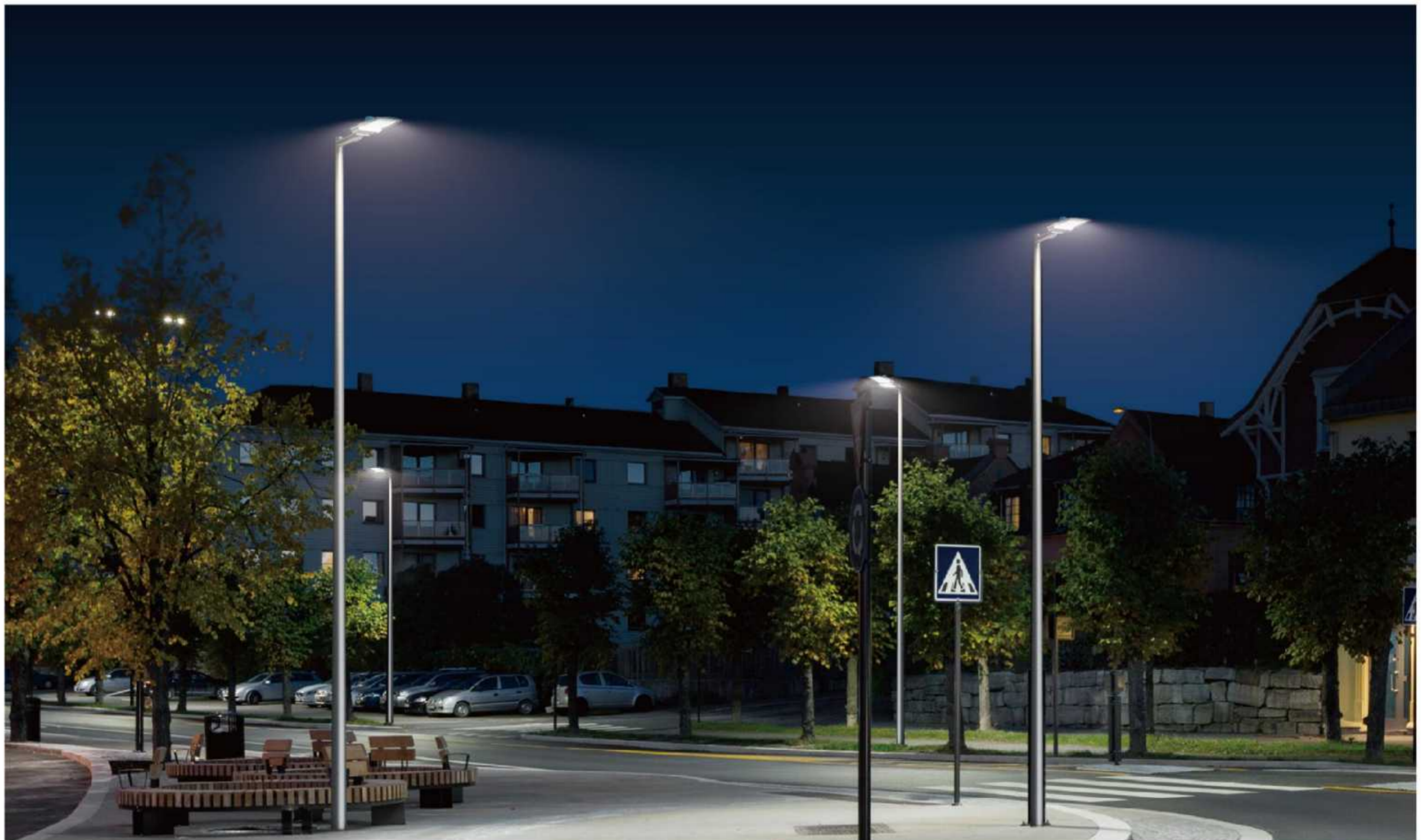
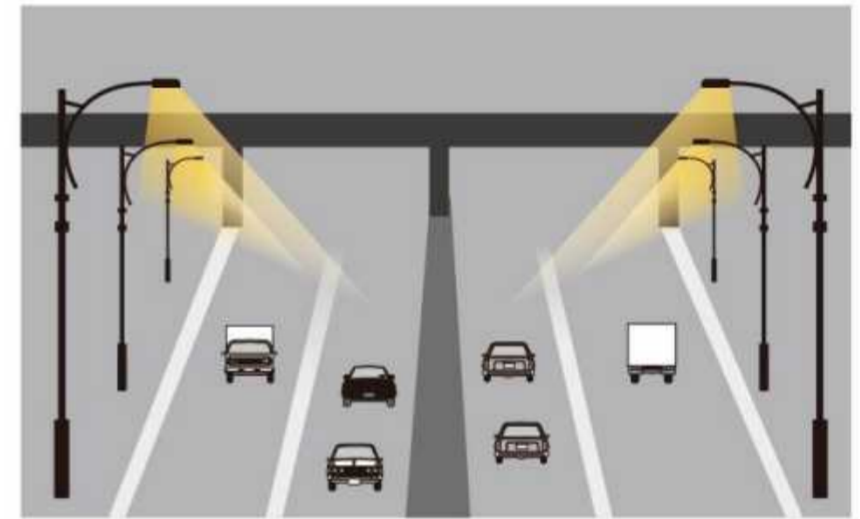
Distribution/分配

Applications/应用



Roadway light distribution for wide streets.
 宽阔街道的道路照明分布。

Note: This optic is not dedicated to this application only. It can also be used for other configurations.
 注意：此光学元件并非仅用于此应用。它也可用于其他配置。



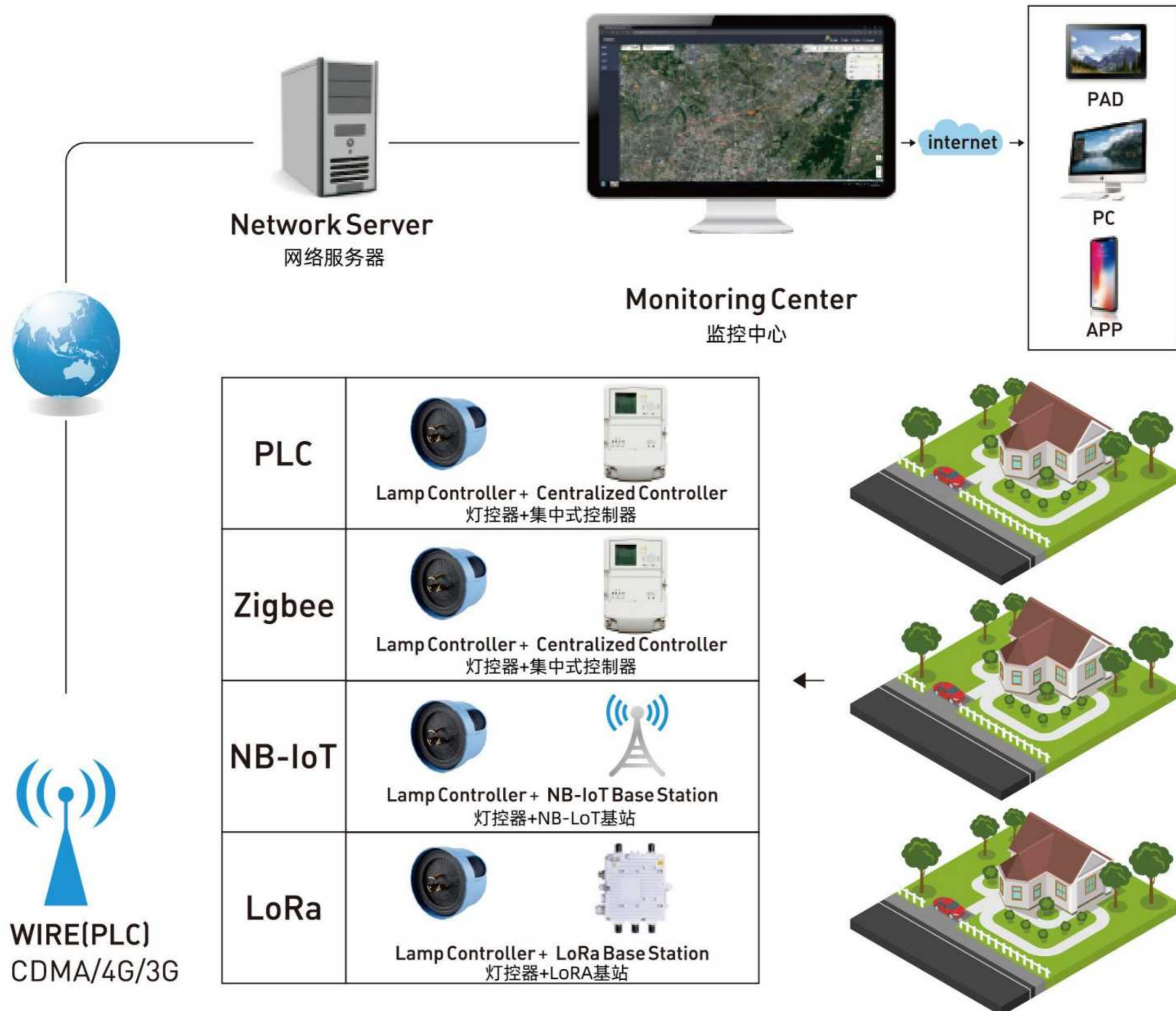
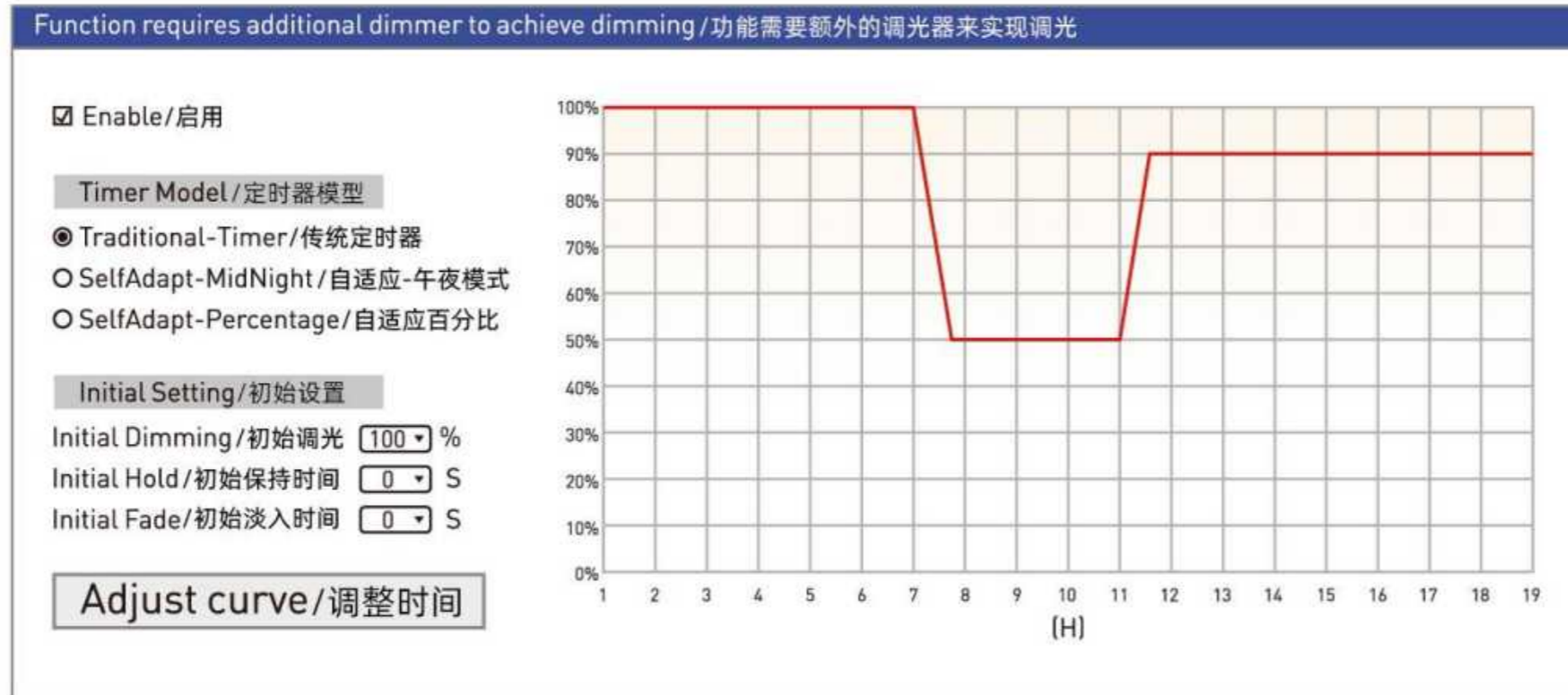
Smart Light Control/智能光控

There are two dimming modes available/有两种调光模式可供选择:

- 0-5V/0-10V > Need additional dimmer to achieve dimming/需要额外的调光器来实现调光
- PWM
- Timer — Programmable driver has timing dimming function./可编程驱动器具有定时调光功能。

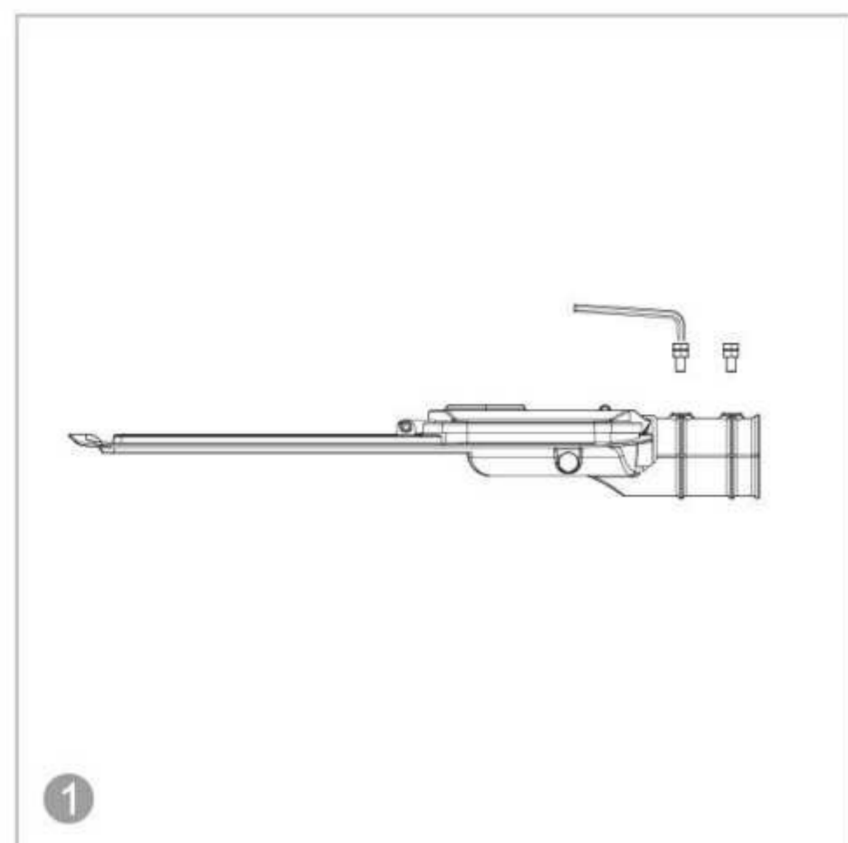
By setting a suitable time to offer the required brightness and exposure time to meet different lighting needs can save a lot of energy. There are five dimming levels. Please click on Adjust curve in the below picture.

通过设置合适的时间来提供所需的亮度和曝光时间，以满足不同的照明需求，可以节省大量能源。有五个调光级别，请点击下图中的调整曲线。

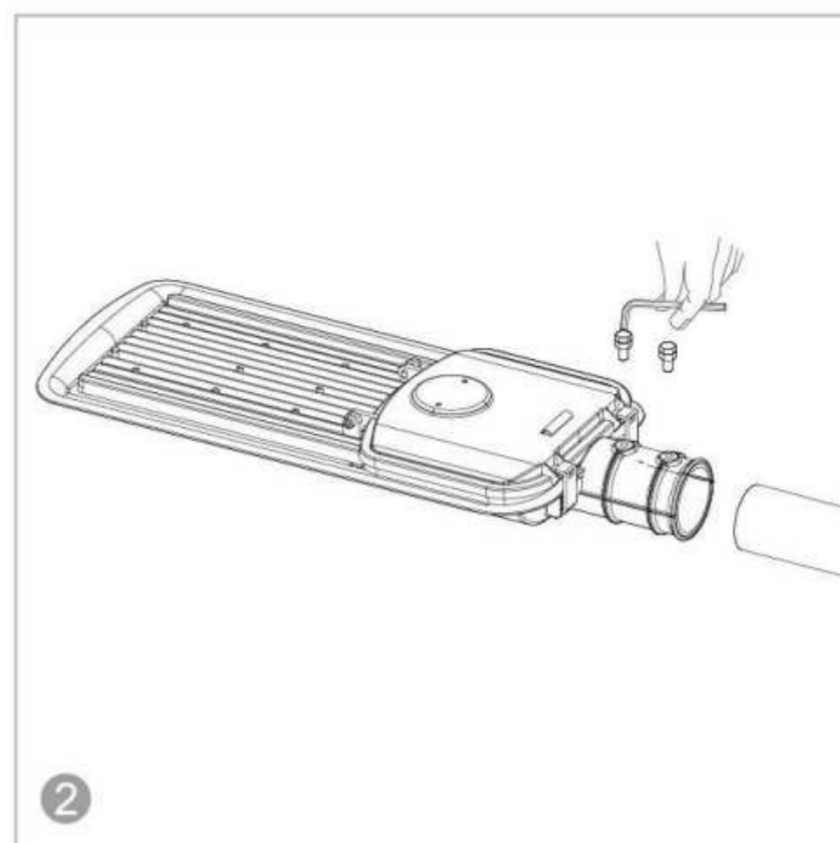


ESL009 Installation instructions/ESL009安装说明

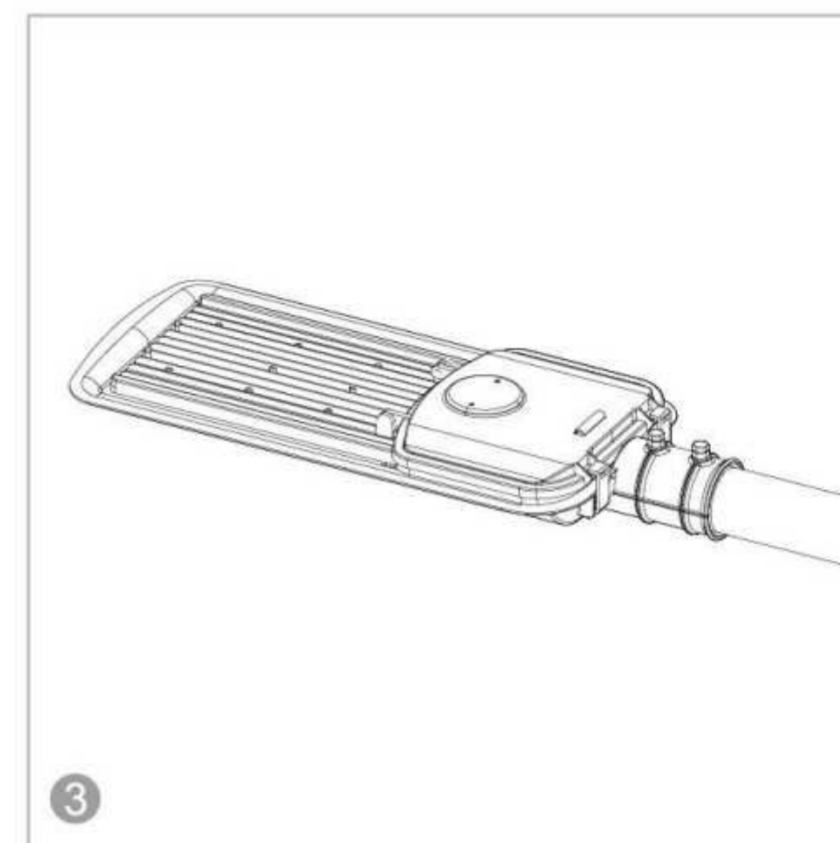
Steps for Horizontal Installation/水平安装步骤



Loosen the adjusting screw, adjust the angle, and after adjusting the angle, use a hex wrench to tighten the adjusting screw.
松开调节螺丝，调节角度，角度调节完后使用六角扳手扭紧调节螺丝。



Align the lamp with the lamp pole and insert it, and fix it with hexagon wrench and hexagon socket bolt.
将灯与灯杆对齐并插入，然后用六角扳手和内六角螺栓固定。



After installation, if the lighting area or angle is found to be incorrect, the lamp can be adjusted immediately without dismantling it.
安装完成后，发现照明区域不对或者角度不对，可立即不拆灯进行调节。

Precautions/注意事项:

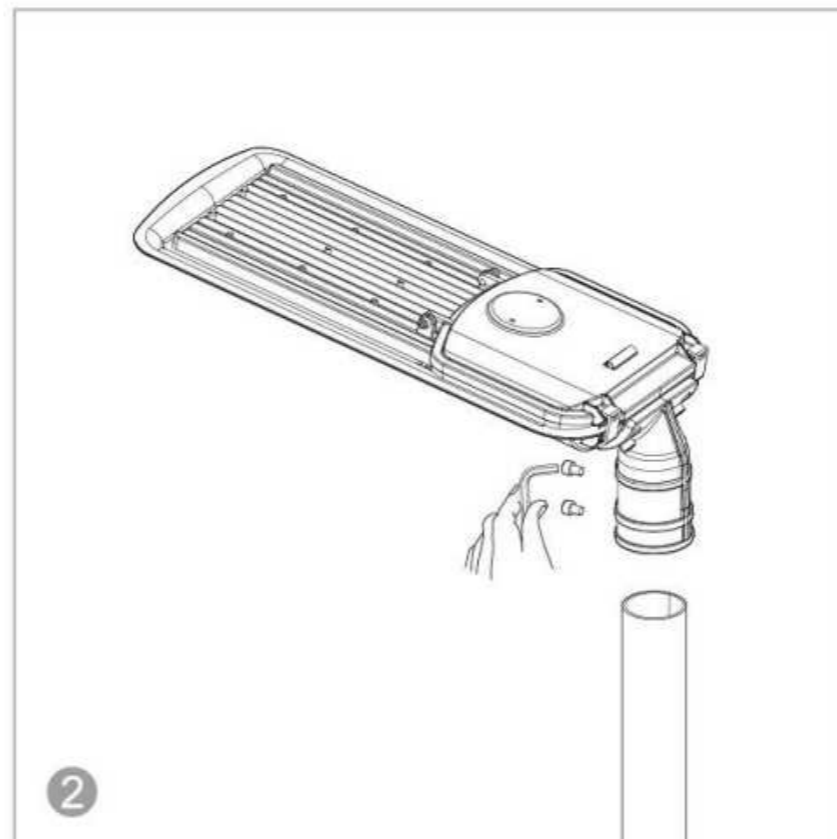
1. The working voltage of this model of lamp is based on the product specification and reference to the product label;
本型号灯具的工作电压以产品说明书为准，并参考产品标签；
2. All wiring must comply with national installation standards, and all joints must be properly connected and waterproof treated;
所有接线必须符合国家安装标准，所有接头必须正确连接并进行防水处理；
3. Lamp maintenance or replacement requires qualified personnel to replace to avoid danger;
灯具维护或更换需要合格人员更换，以避免危险；
4. The controller modulation should be operated according to the instructions.
控制器调制应按照说明操作。

ESL010 Installation instructions/ESL010安装说明

Steps for Vertical Installation/垂直安装步骤



Loosen the adjusting screw, adjust the angle, and after adjusting the angle, use a hex wrench to tighten the adjusting screw.
松开调节螺丝，调节角度，角度调节完后使用六角扳手扭紧调节螺丝。



Align the lamp with the lamp pole and insert it, and fix it with hexagon wrench and hexagon socket bolt.
将灯与灯杆对齐并插入，然后用六角扳手和内六角螺栓固定。

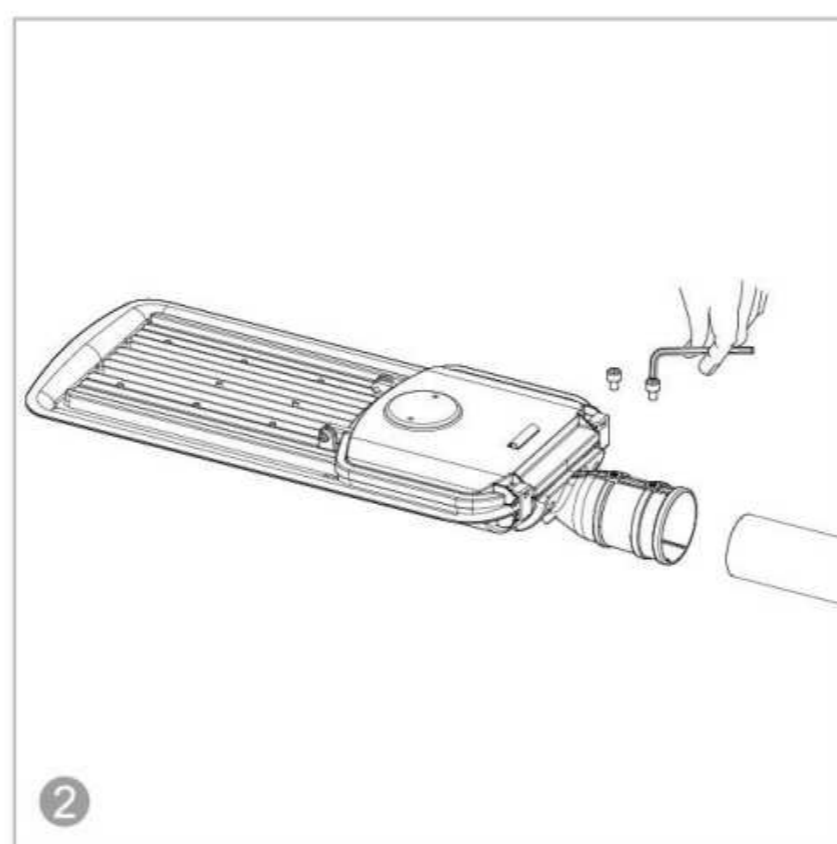


After installation, if the lighting area or angle is found to be incorrect, the lamp can be adjusted immediately without dismantling it.
安装完成后，发现照明区域不对或者角度不对，可立即不拆灯进行调节。

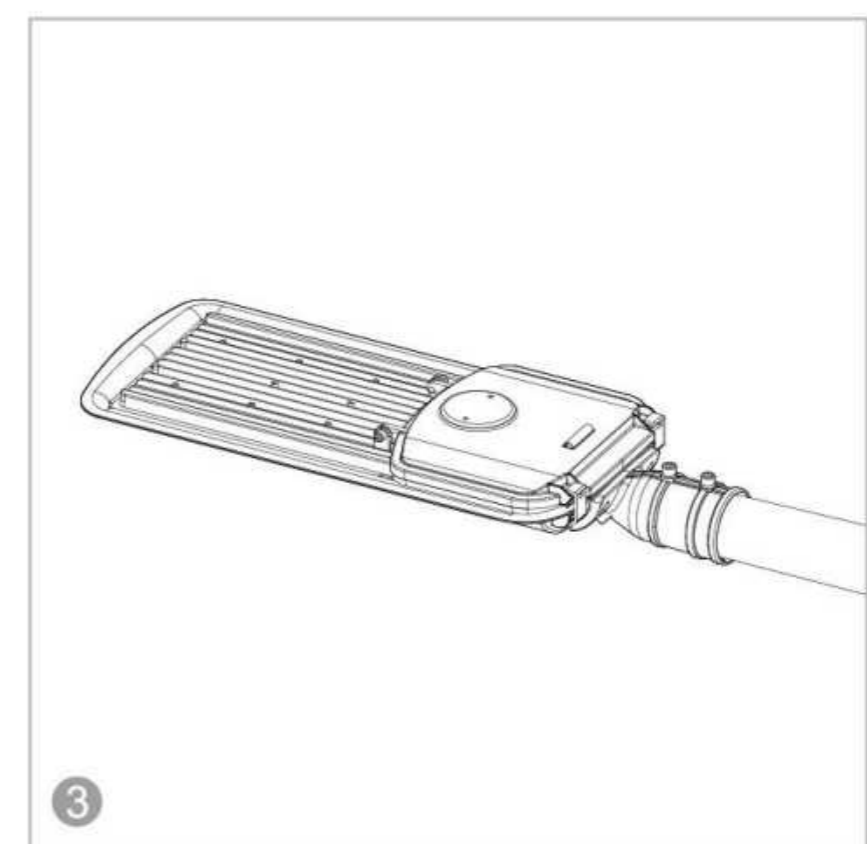
Steps for Horizontal Installation/水平安装步骤



Loosen the adjusting screw, adjust the angle, and after adjusting the angle, use a hex wrench to tighten the adjusting screw.
松开调节螺丝，调节角度，角度调节完后使用六角扳手扭紧调节螺丝。



Align the lamp with the lamp pole and insert it, and fix it with hexagon wrench and hexagon socket bolt.
将灯与灯杆对齐并插入，然后用六角扳手和内六角螺栓固定。



After installation, if the lighting area or angle is found to be incorrect, the lamp can be adjusted immediately without dismantling it.
安装完成后，发现照明区域不对或者角度不对，可立即不拆灯进行调节。

Precautions/注意事项:

1. The working voltage of this model of lamp is based on the product specification and reference to the product label;
本型号灯具的工作电压以产品说明书为准，并参考产品标签；
2. All wiring must comply with national installation standards, and all joints must be properly connected and waterproof treated;
所有接线必须符合国家安装标准，所有接头必须正确连接并进行防水处理；
3. Lamp maintenance or replacement requires qualified personnel to replace to avoid danger;
灯具维护或更换需要合格人员更换，以避免危险；
4. The controller modulation should be operated according to the instructions.
控制器调制应按照说明操作。



FREELUX 菲瑞克斯

ROBUST AND ELEGANT SOLUTIONS TO CREATE THE PERFECT MATCH

Ningbo Freelux Lighting Appliance co., Ltd

Mb.:86 135 0588 0227

Email: allen@freelux.com.cn

Tel:86-574-88847555

Web:www.freelux.com.cn

Add: No.228 Kaiyuan Road,High Technology Industrial Zone ,Fenghua Ningbo,China

