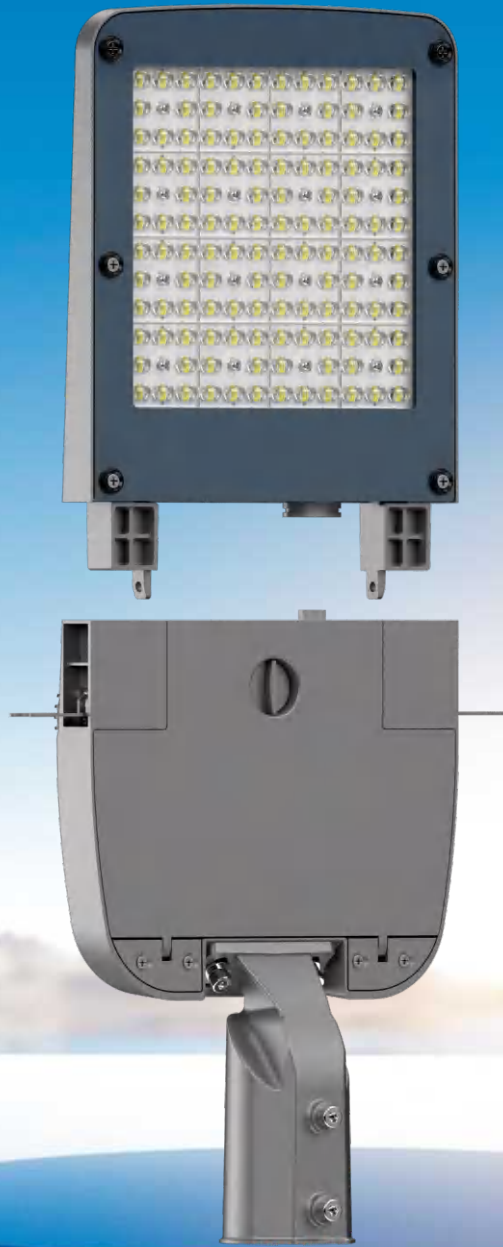


MODULAR LED STREET LIGHTS

50W/100W/150W/200W

PSL009 Series

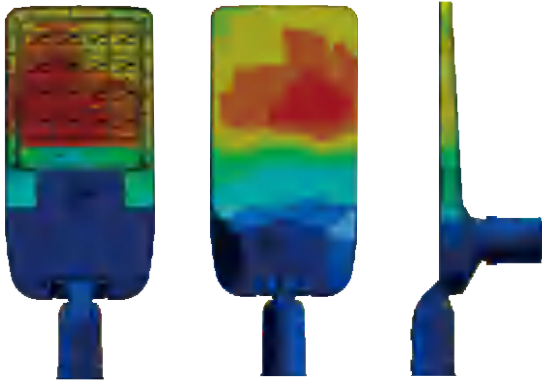


OVERVIEW

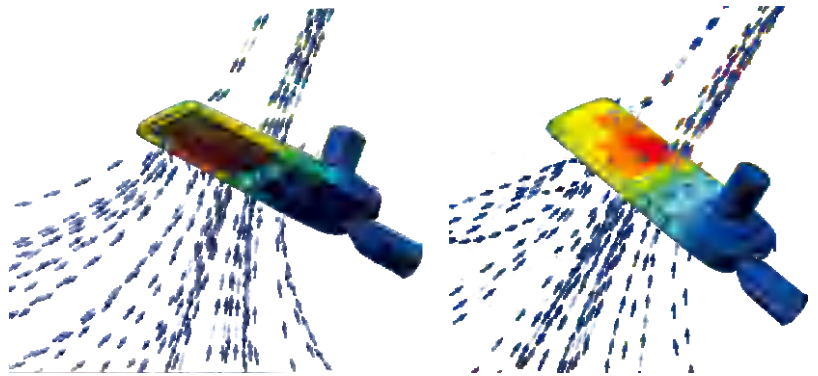


THERMAL CONTROL TECHNOLOGY

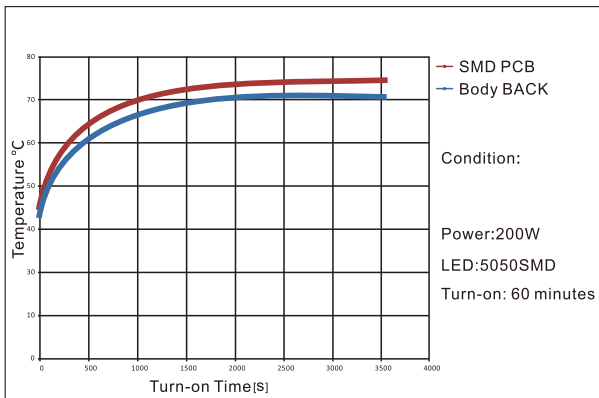
Structure is optimized by advanced FEA technology to realize fast heat dissipation. Achieving best cost-efficiency for clients.



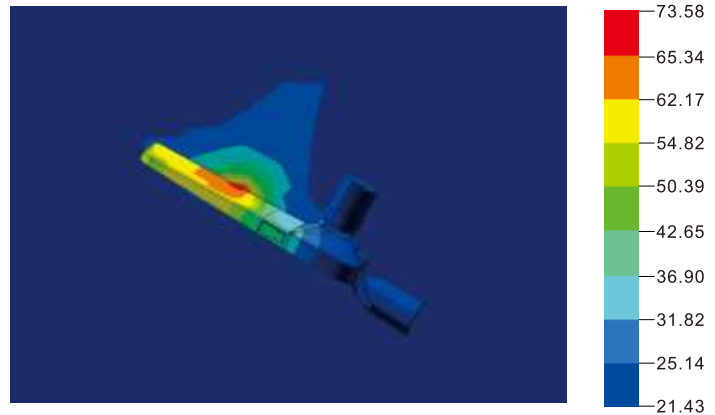
Thermal Conductivity



Thermal Air Convection



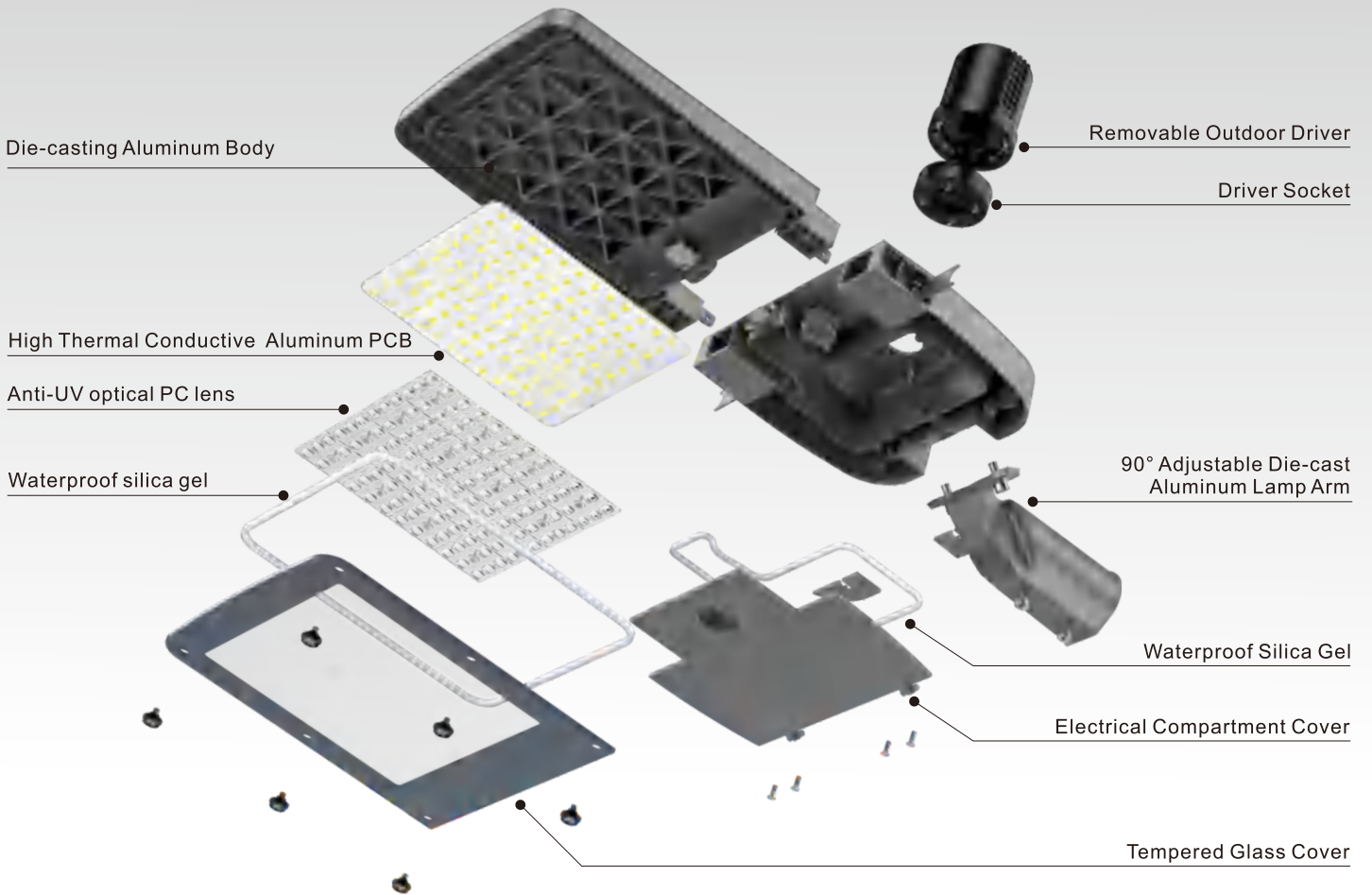
Temperature Rise Curve



Thermal Effects to Air

Unit: °C

EXPLODED



Electrical Compartment



Universal lamp body, no tools required, quick light source modular replacement

APPLICATIONS

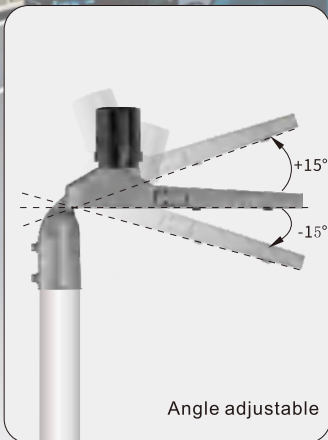
Suitable for urban road lighting such as city streets, main traffic roads, and residential areas.



Horizontal Installation



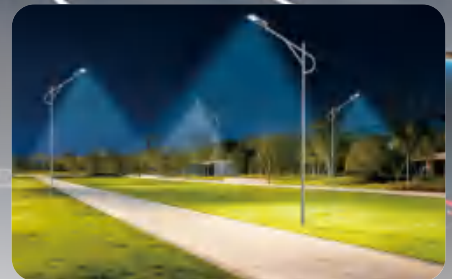
Vertical installation



Angle adjustable



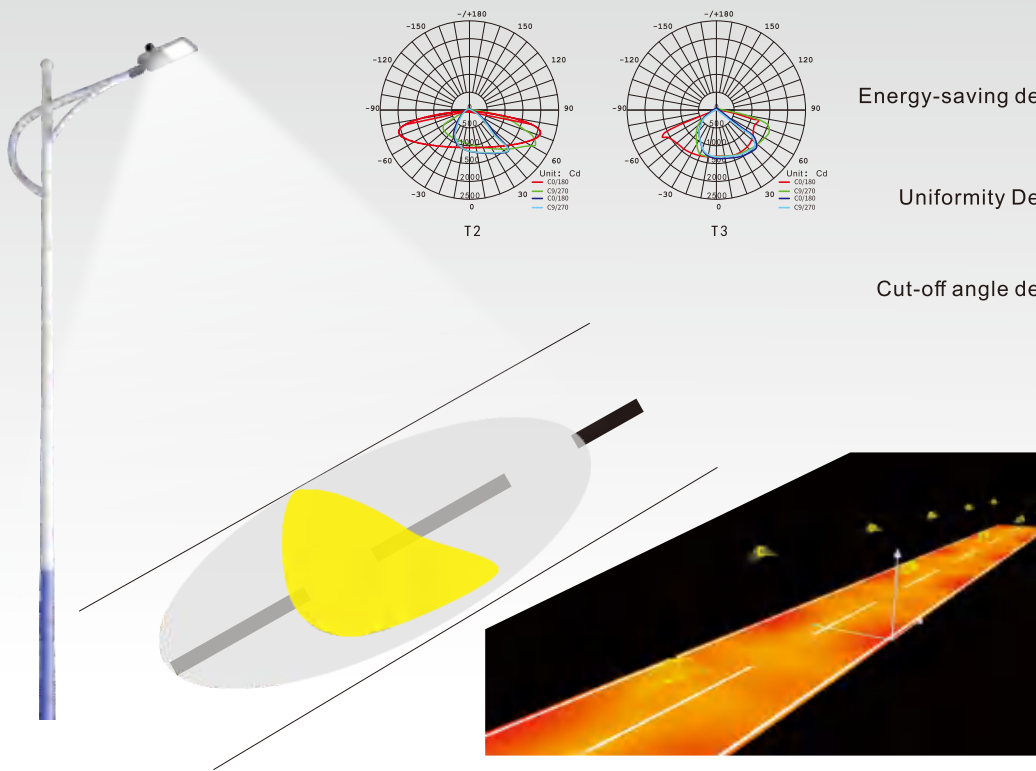
Factory



Garden

OPTICS

Tech. Support: Tell us the road length, width, height and the application scene.
We have an engineer team to respond the DIALUX simulations for lights quantity calculation and effects.
ies files are available upon request.



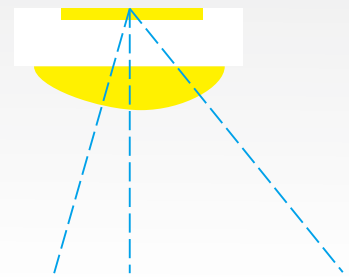
Energy-saving design



Uniformity Design



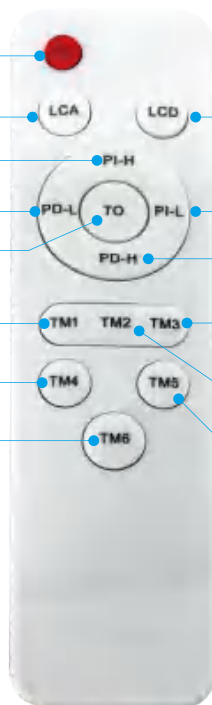
Cut-off angle design



Asymmetrical Photometric Cutoff Angle Design

REMOTE CONTROL

Function Demo



Light Control Activation

Light Control Deactivation

Power Increase - Highly

Power Increase - Lowly

Power Decrease - Lowly

50% brightness

Timing Override

After 3 hours, it will automa-

After 1 hours, it will automa-

After 3 hours, it will automa-

After 6 hours, it will automa-

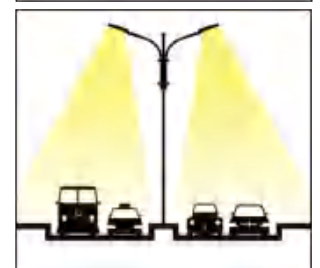
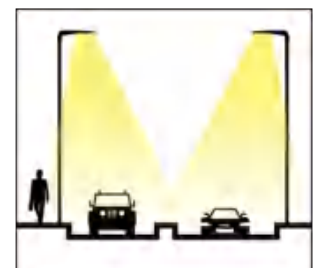
tically shut down

tically shut down

tically shut down



Remote control distance can reach 8-10 meters



PRODUCTS

Horizontal installation



PSL009-50W



PSL009-100W



PSL009-150W



PSL009-200W

Vertical installation



PSL009-50W



PSL009-100W



PSL009-150W



PSL009-200W



PSL009-50W



PSL009-100W



PSL009-150W



PSL009-200W



PSL009-50W



PSL009-100W



PSL009-150W



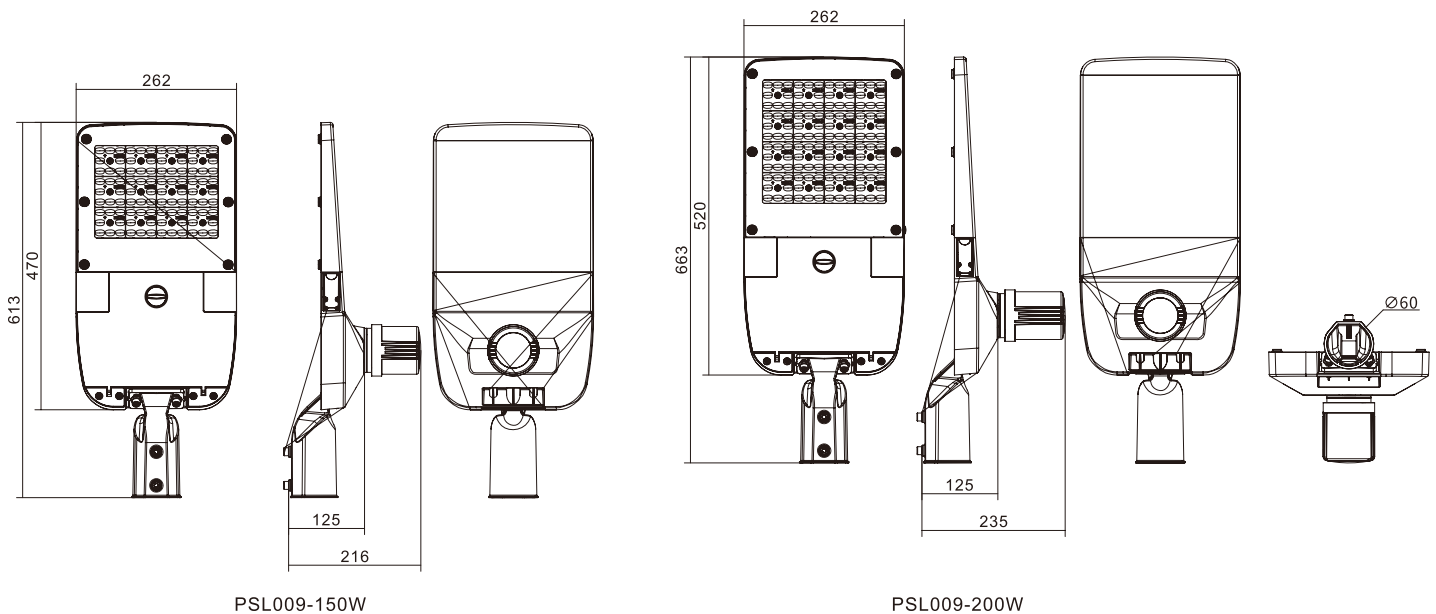
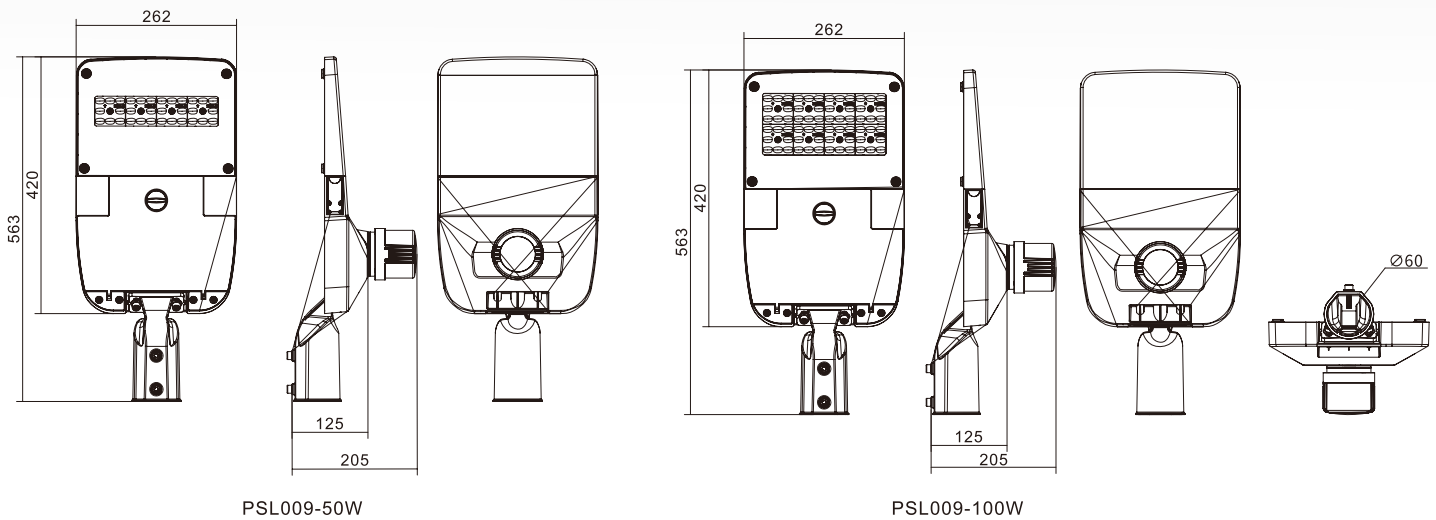
PSL009-200W

MAIN PARAMETERS

Modulars	PSL009-50W	PSL009-100W	PSL009-150W	PSL009-200W
Power	50W±5%	100W±5%	150W±5%	200W±5%
Luminaire Size	563*262*205mm	563*262*205mm	613*262*216mm	663*262*235mm
Input Voltage	AC100-277V/50-60HZ	AC100-277V/50-60HZ	AC100-277V/50-60HZ	AC100-277V/50-60HZ
LED QTY	5050:32PCS	5050:64PCS	5050:96PCS	5050:128PCS
Beam Angle	T2/T3	T2/T3	T2/T3	T2/T3
PF	≥0.95	≥0.95	≥0.95	≥0.95
Luminous Flux	10500Lm±5%	17000Lm±5%	25500Lm±5%	34000Lm±5%
Luminous Efficacy	170W/Lm±5%	170W/Lm±5%	170W/Lm±5%	170W/Lm±5%
Ambient Temperature	-40°C~+55°C	-40°C~+55°C	-40°C~+55°C	-40°C~+55°C
CCT	2700-6500K	2700-6500K	2700-6500K	2700-6500K
Body Material	Die-cast Aluminum	Die-cast Aluminum	Die-cast Aluminum	Die-cast Aluminum
IK Grade	IK08	IK08	IK08	IK08
IP Grade	IP66	IP66	IP66	IP66
LPL	10KV	10KV	10KV	10KV
Color	Grey	Grey	Grey	Grey
Packaging	Neutral	Neutral	Neutral	Neutral

DIAGRAMS

Unit:mm



ELECTRICAL FEATURES

Non-isolated two-stage PFC high power factor constant current dimming power supply product with light sensing function, featuring an input voltage range of 100-277Vac. This series is a new-type convenient light intelligent power supply integrating light control and time control, with efficiency up to 95% and IP66 waterproof rating. It is equipped with lightning protection, overvoltage protection, overcurrent protection and overtemperature protection to ensure product reliability.



Light Control



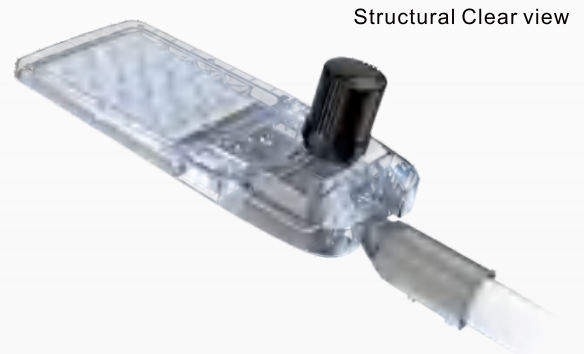
Time Control



Intelligent Control

- 1. External integrated plug-in driver structure for easy transportation and replacement.
- 2. Lightweight intelligent design with 6 optional built-in time control programs, offering better energy-saving performance
- 3. Input voltage: 100-277Vac
- 4. Intelligent light control.
- 5. Flicker-free driver, non-isolated, constant current output mode.
- 6. Efficiency >95%.
- 7. Surge protection: differential mode (L-N): 6KV, common mode (LN-PE): 10KV.
- 8. Long service life, 5-year warranty.
- 9. Dimming isolation with turn-off function.
- 10. Protections: short circuit, overvoltage, overcurrent, overtemperature.
- 11. THD <10%.
- 12. Remote control compatible with power parameters.

INSTALLATION HEIGHT



FEATURES

1. IP66 waterproof rating, effectively waterproof.
2. Universal lamp body, no tools required, quick lamp modular replacement.
3. External knob plug-in design, simple installation, easy operation and convenient operation.
4. Intelligent light control, automatically turns on the lights at night and turns off the lights during the day

CAUTIONS

1. The installation must be completed by a professional electrician.
2. Do NOT dismantle the product. It may be dangerous
3. Do NOT look directly at the light source with the naked eye to avoid danger.
4. For outdoor lighting, waterproof measurements must be done to cable terminals.