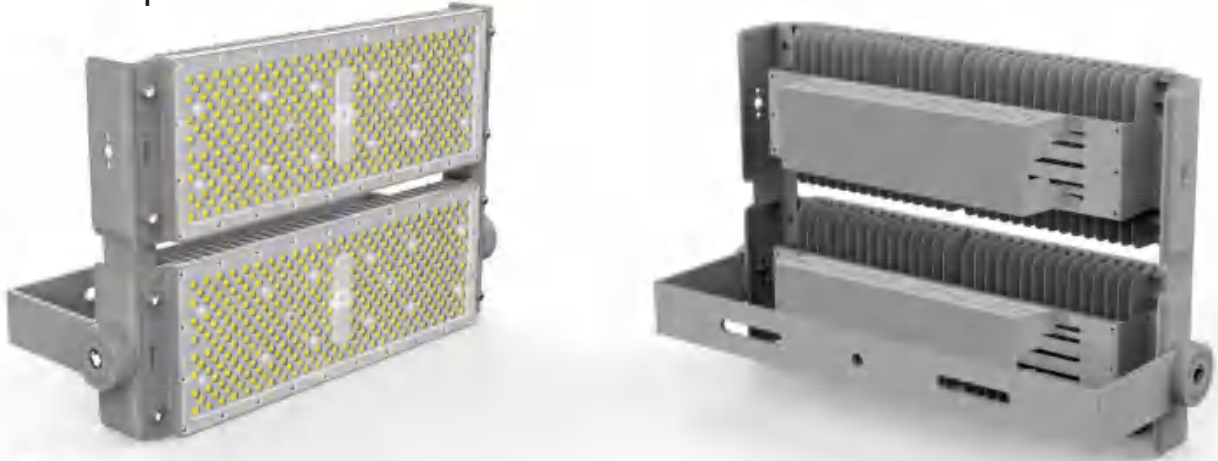
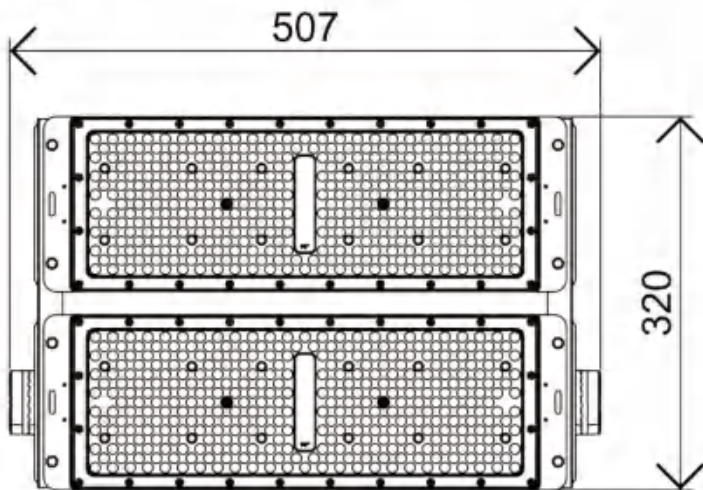


**Model: PTL003 Chuanwang 200W Module - 400W**

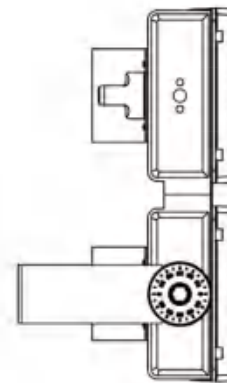
Appearance picture



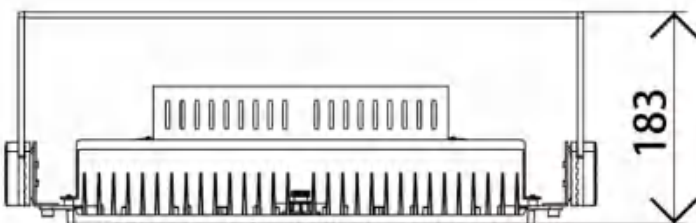
Line graph



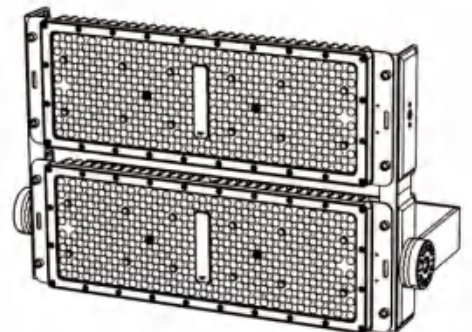
Main view



Left view



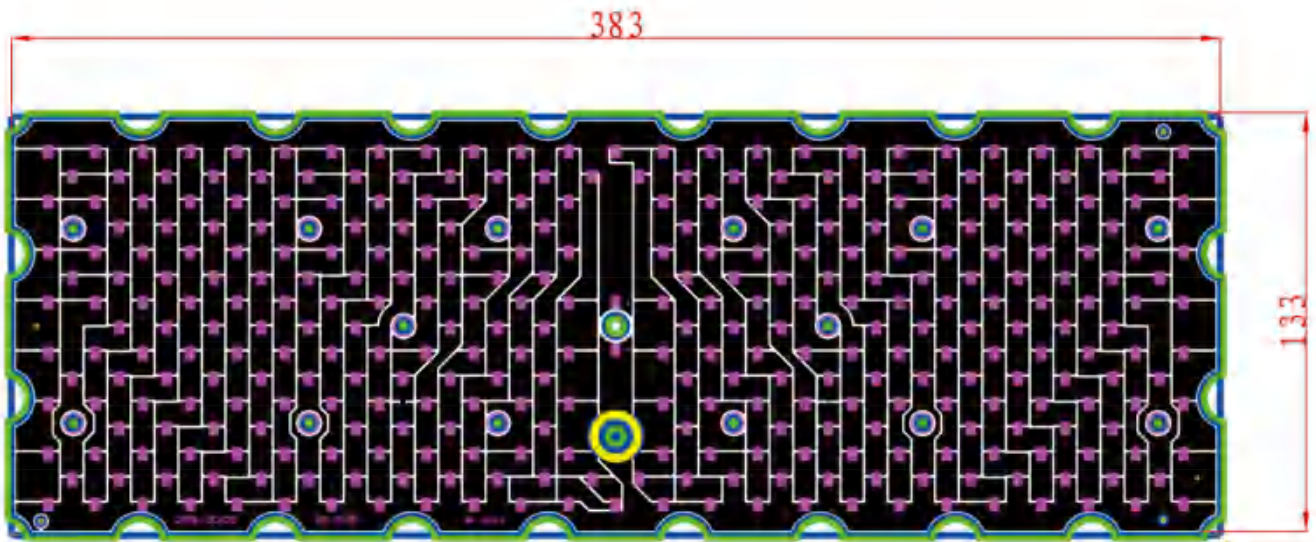
Top view



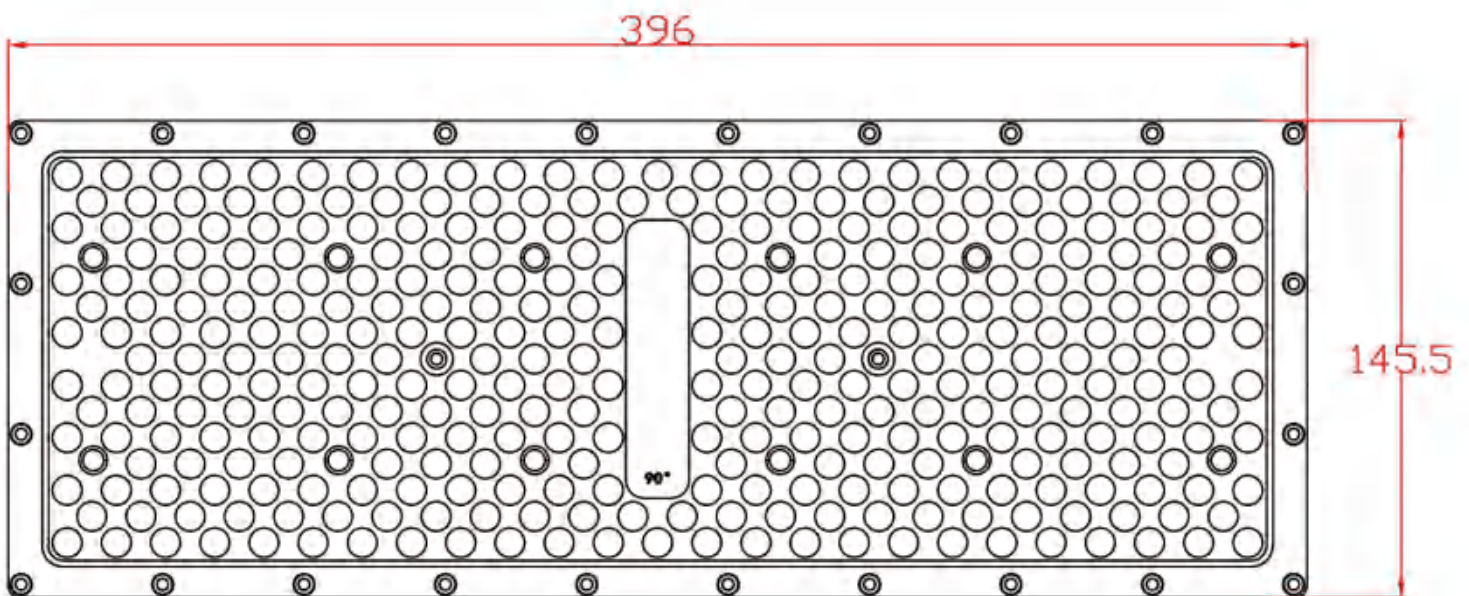
Perspective view

Overall dimensions: Width 507mm, Length 320mm, Height 183mm

## Aluminum substrate - Lens

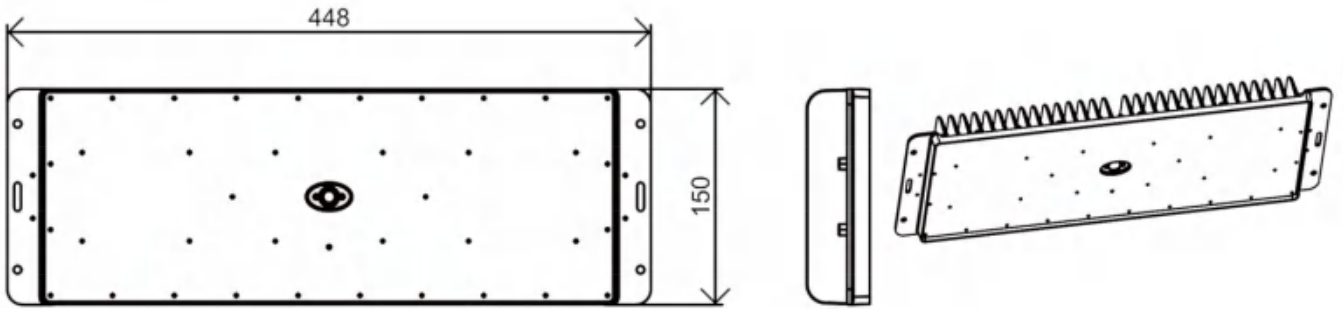
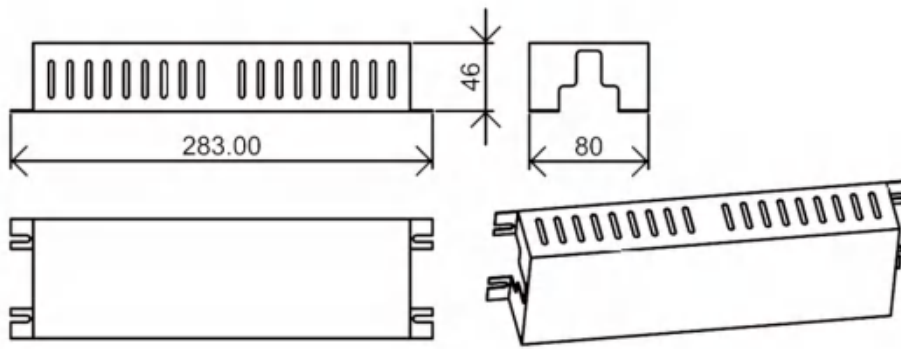


Aluminum substrate: Dimensions: W 183mm x L 133mm x Actual thickness 1.28mm 42B8C-3030 LED - 200W

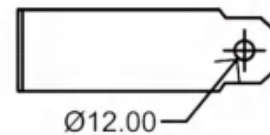
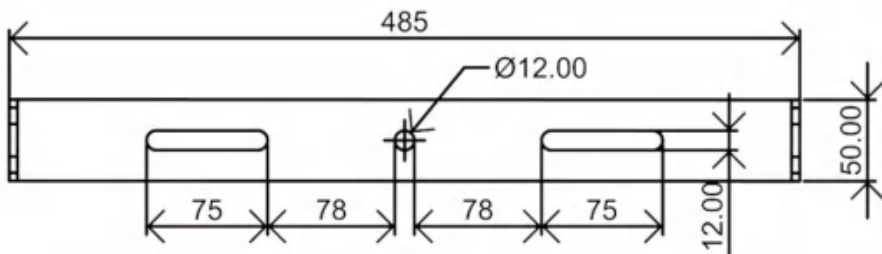
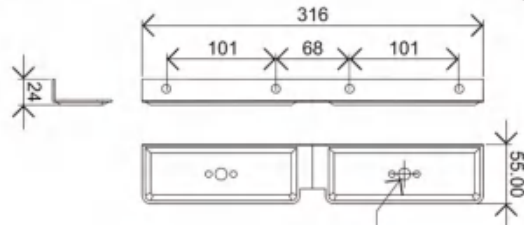
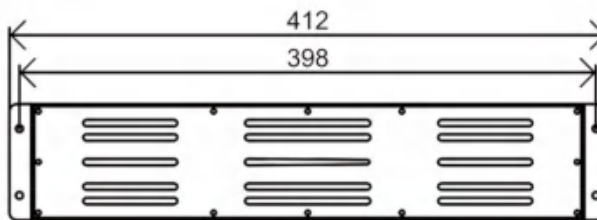
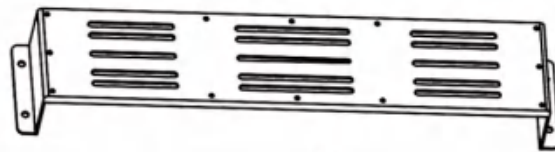
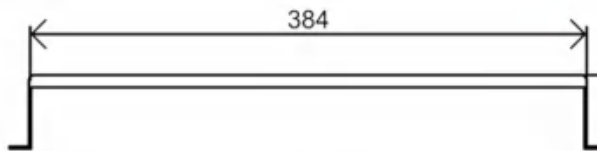


Lens: Dimensions: W396mm x L145.5mm x H5.2mm  
Lens multi-angle selection: 30 degrees - 60 degrees - 90 degrees

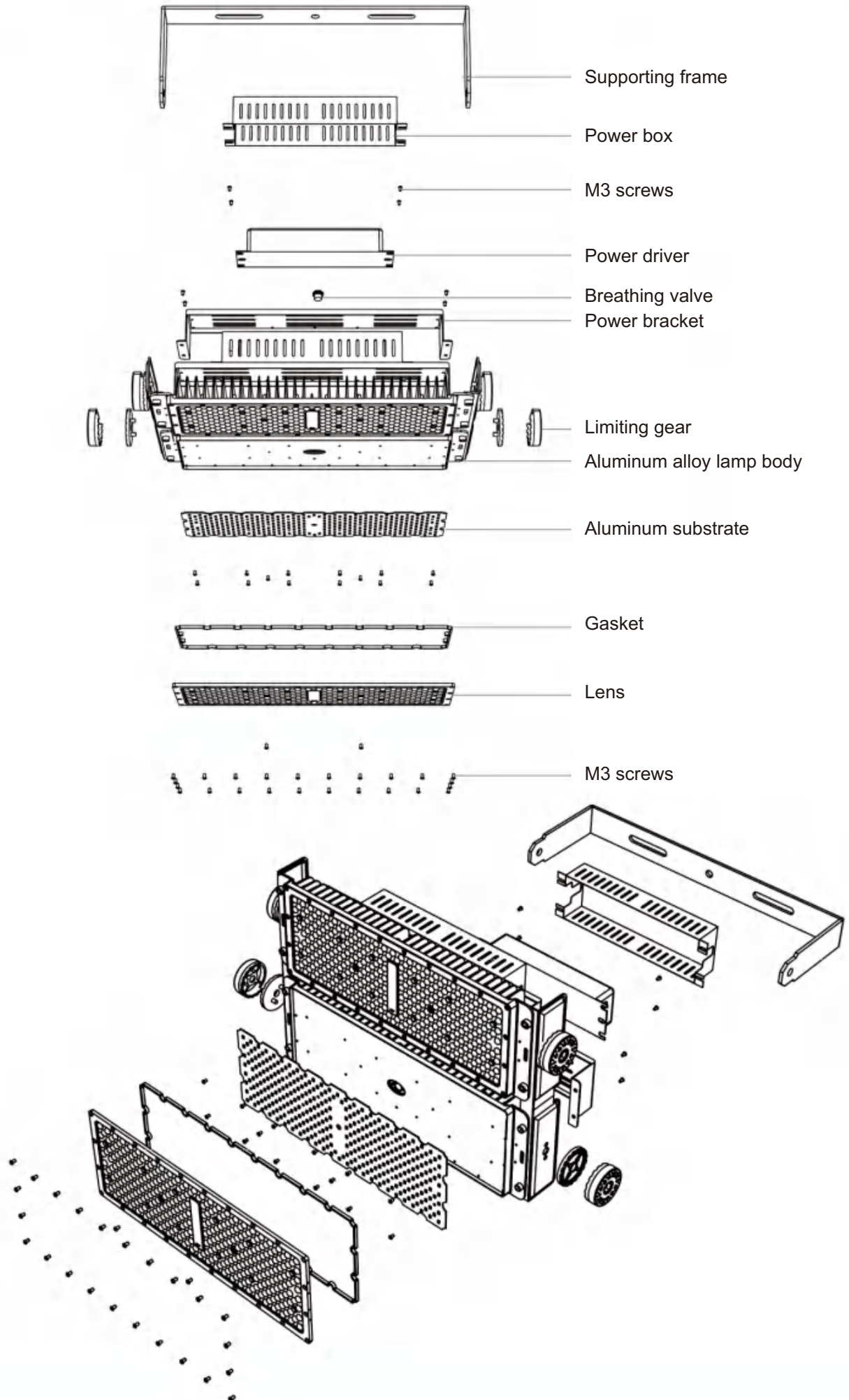
# Size holes



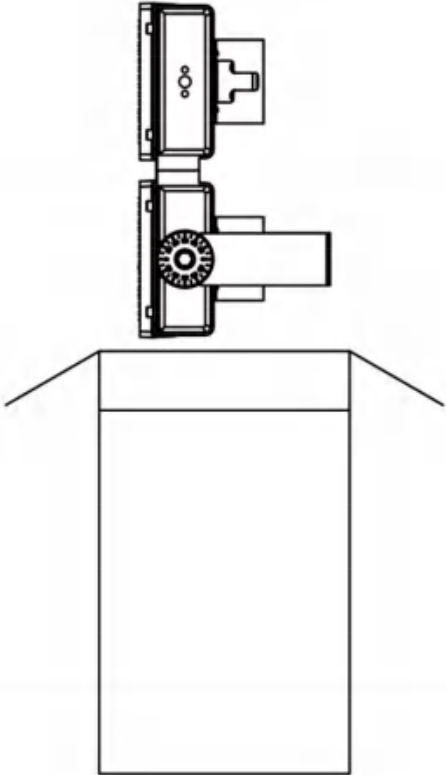
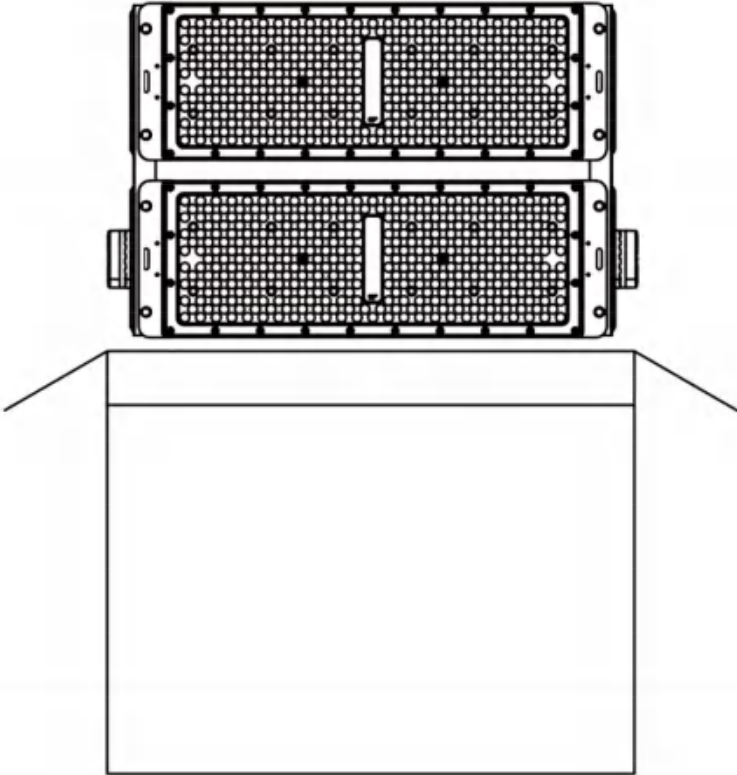
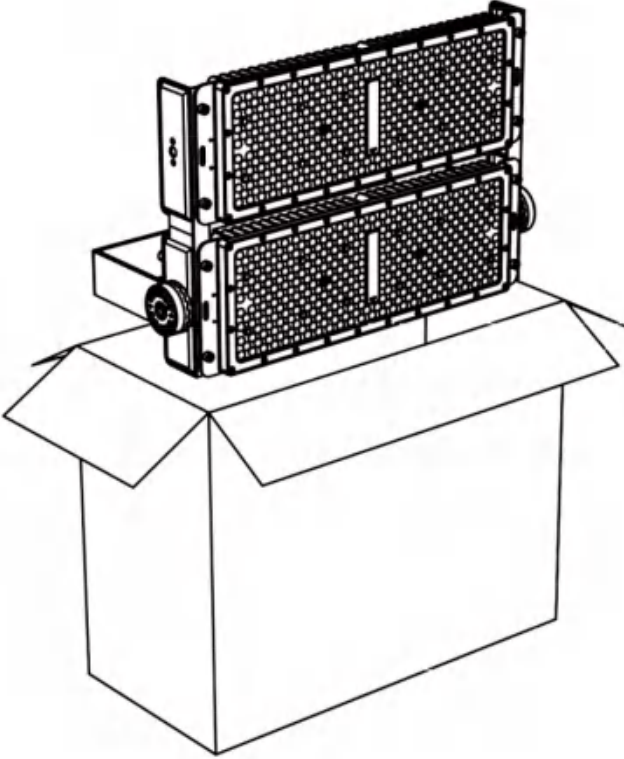
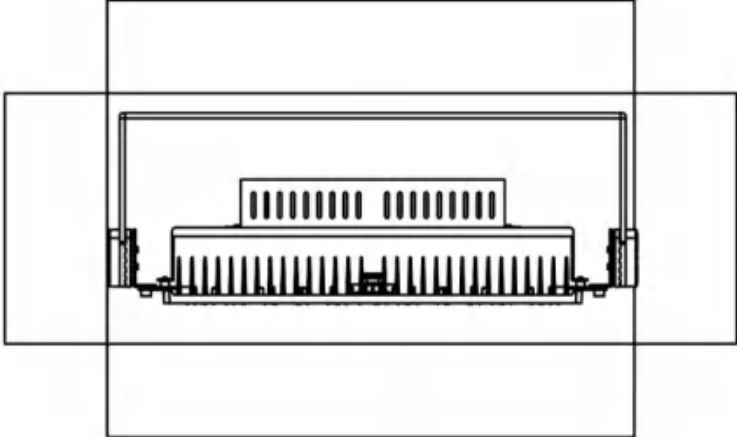
The weight of the aluminum alloy lamp body is 1.66 kilograms.



# Explosion diagram



# Packaging dimensions



Outer box dimensions: 505mm \* 405mm \* 105mm