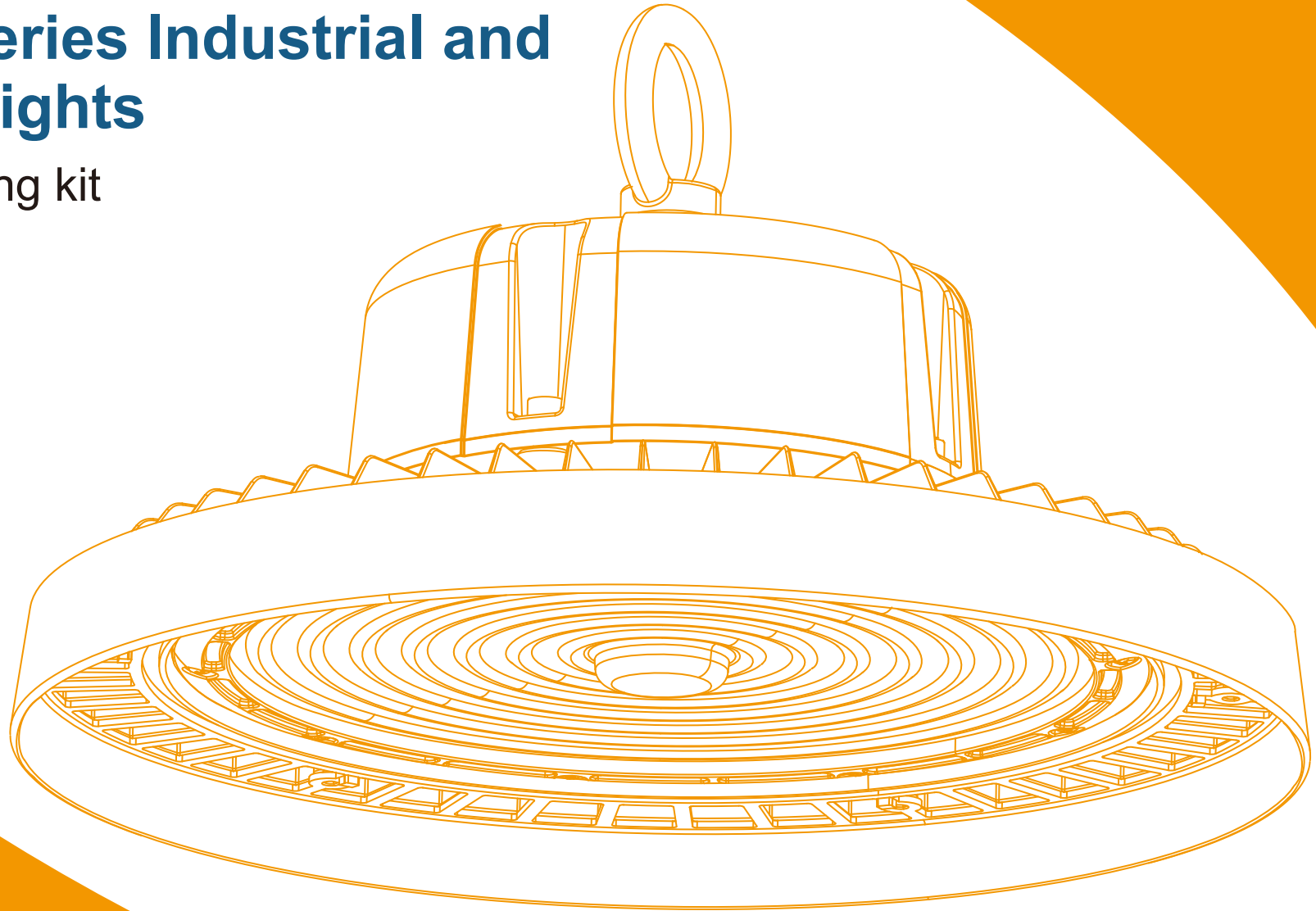


UFO J Series Industrial and Mining Lights

150W housing kit



Product Name: UFO J Series Industrial and Mining Lights
Specification Model: 150W
Release Date: May 12, 2023

LIST OF CONTENTS

Product parameters -----	1
Product photo -----	2
Product explosion diagram -----	6
Finished product dimension diagram -----	7
Heat sink dimension diagram -----	8
Lens dimension diagram -----	9
Aluminum substrate dimension diagram -----	10
Temperature rise test report -----	11
Temperature rise curve -----	12
Packaging method -----	13

Material and surface treatment

Radiator	Aluminum alloy
Lens	Polycarbonate material
Shutter hood	Polycarbonate material (with integrated lens)
Surface treatment	Electrostatic powder coating
Standard color	RAL 9017 black
IP protection level	IP 66
IK protection level	IK 09

Optical parameters

Lamp bead model	SMD2835
Light distribution	60° / 90° / 120°
Recommended installation height	4m to 12m
Color tolerance	/
Color temperature	/
Color rendering index	/
Upward light output ratio	/

LED lifespan @ TQ 25°C

Configuration	
L70B10	/
L80B10	/
Switch cycle	/

Working conditions

Temperature range	-30°Cto +45°C
Humidity range	10-90%RH
Installation options	Lifting and hoisting
	/
Warranty	/

Certification information

Does it include a power supply?	/
Is it CE certified?	/
Is it RoHS certified	/
Is it SAA certified	/
Safety	/
Testing standards	/

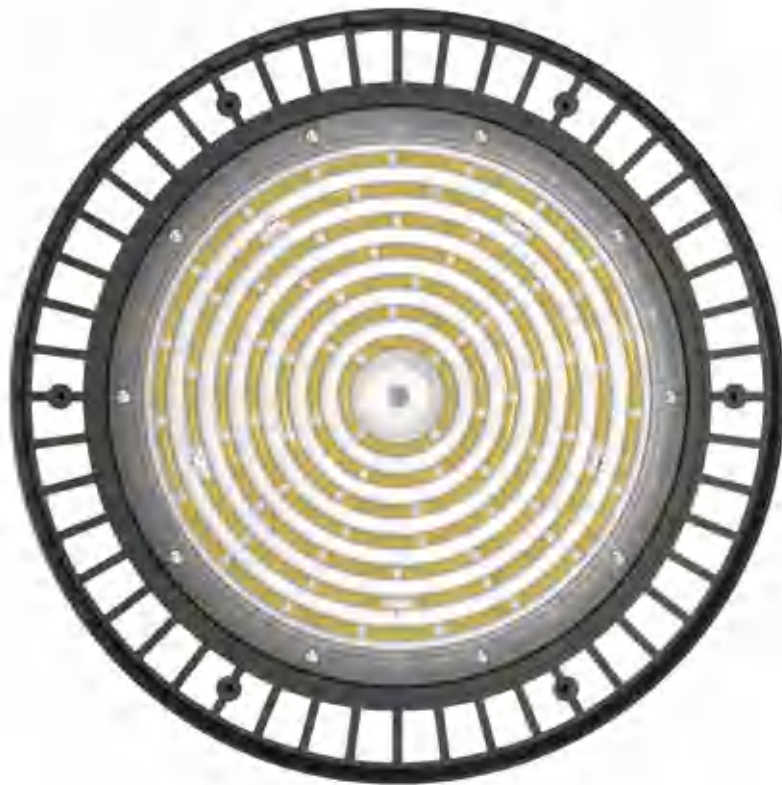
Performance

Power	150W
Light effect	160lm/W~180lm/W
Power efficiency	/
Start-up time	/
Time to reach 60% of the lamp's power	/

Electrical parameters

Electrical category	/
Rated voltage	/
Power factor (at full load)	/
Lightning protection level	/
Electromagnetic compatibility	/
Control protocol	/
Total harmonic distortion	/
Power supply type	/

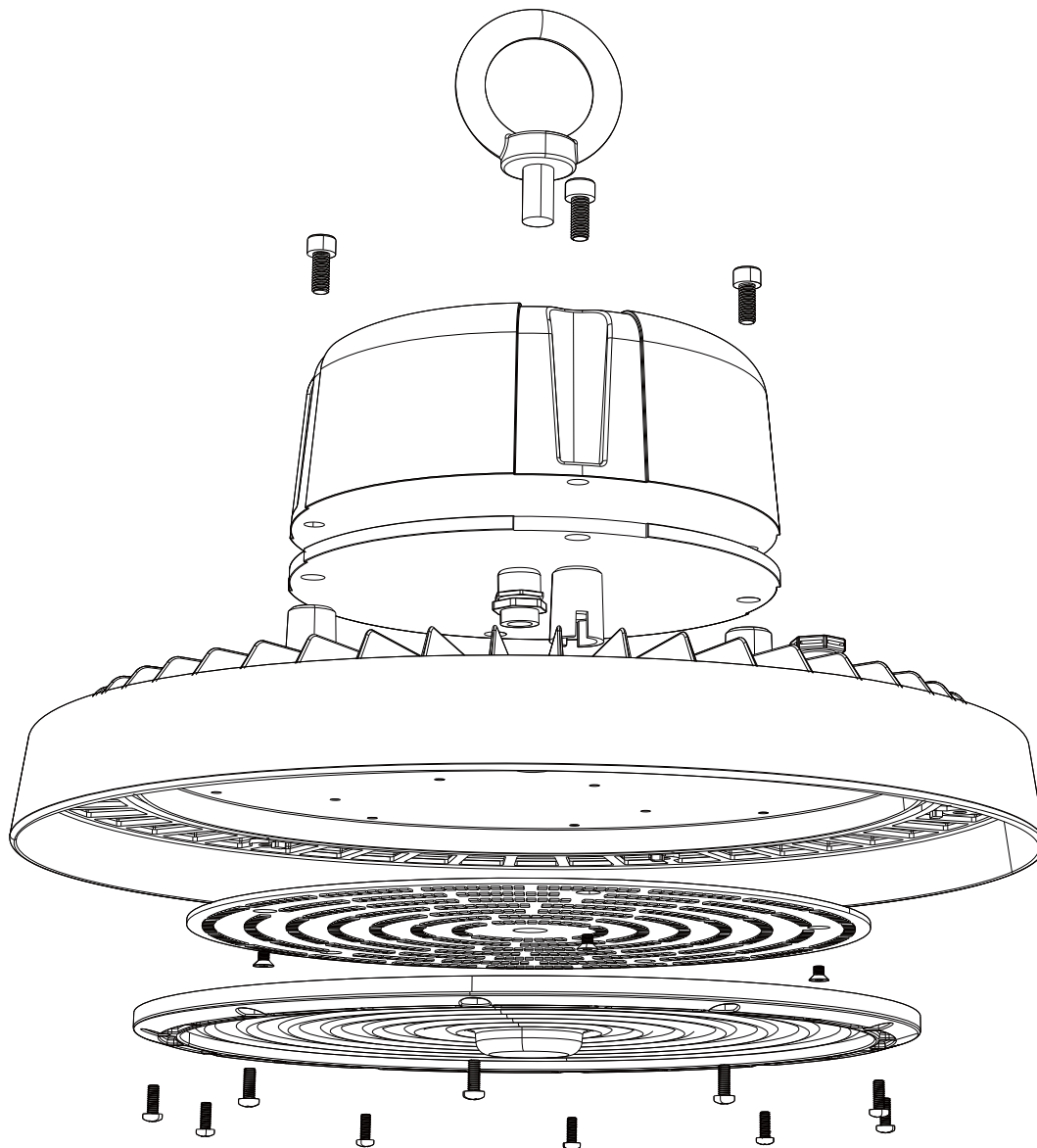








Unit: mm



Hook × 1

Power box screws × 4

Threaded nut × 1
Isolation posts × 4
Respirator × 1

Heat dissipation main body × 1

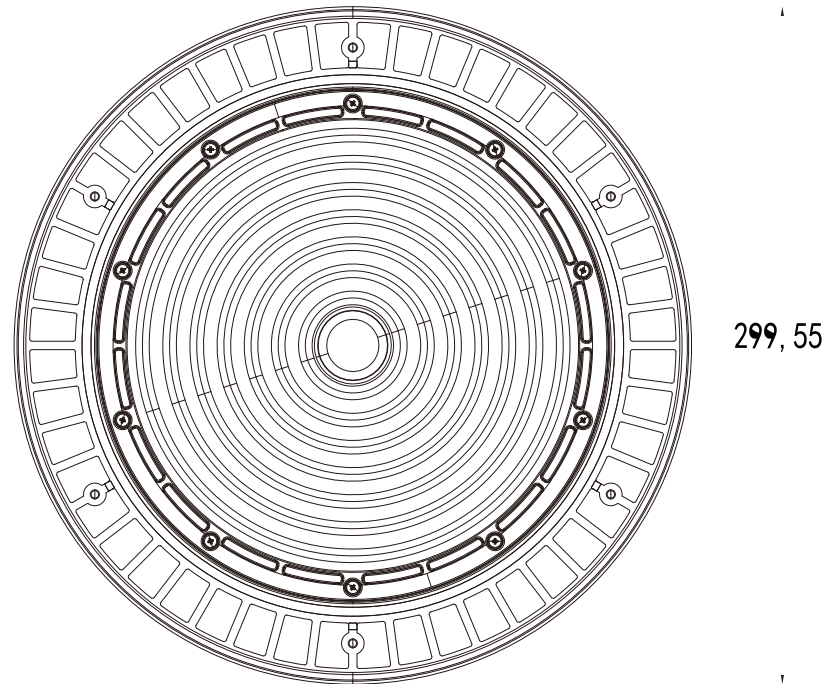
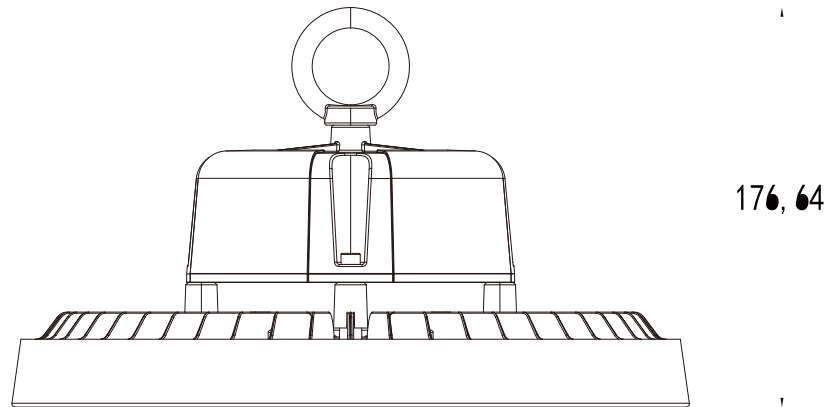
Aluminum substrate × 1

Lens screws × 6

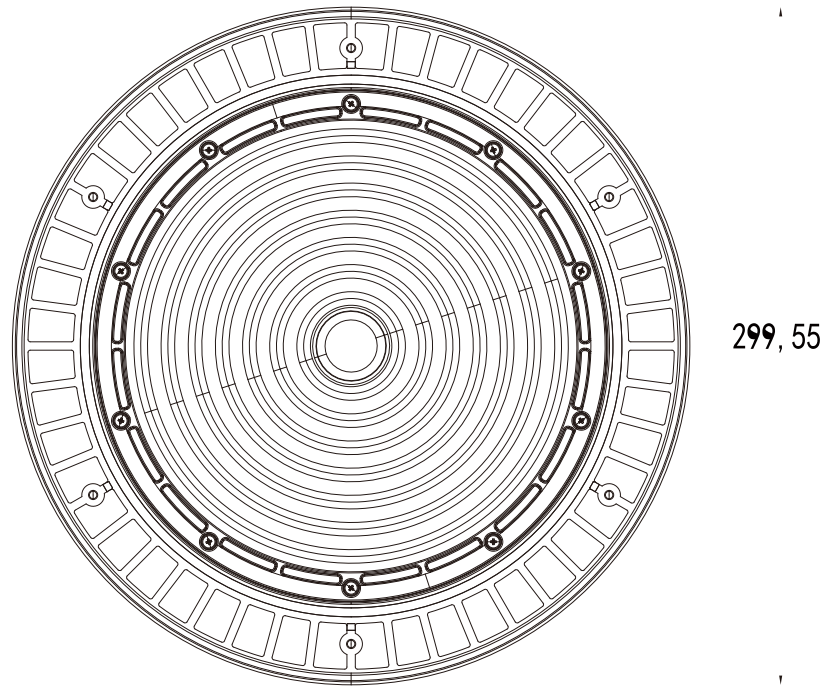
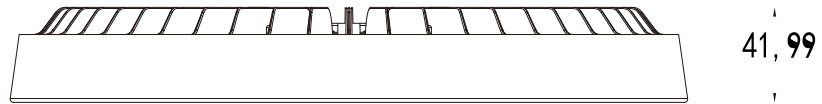
Lens × 1

Aluminum substrate screws × 6

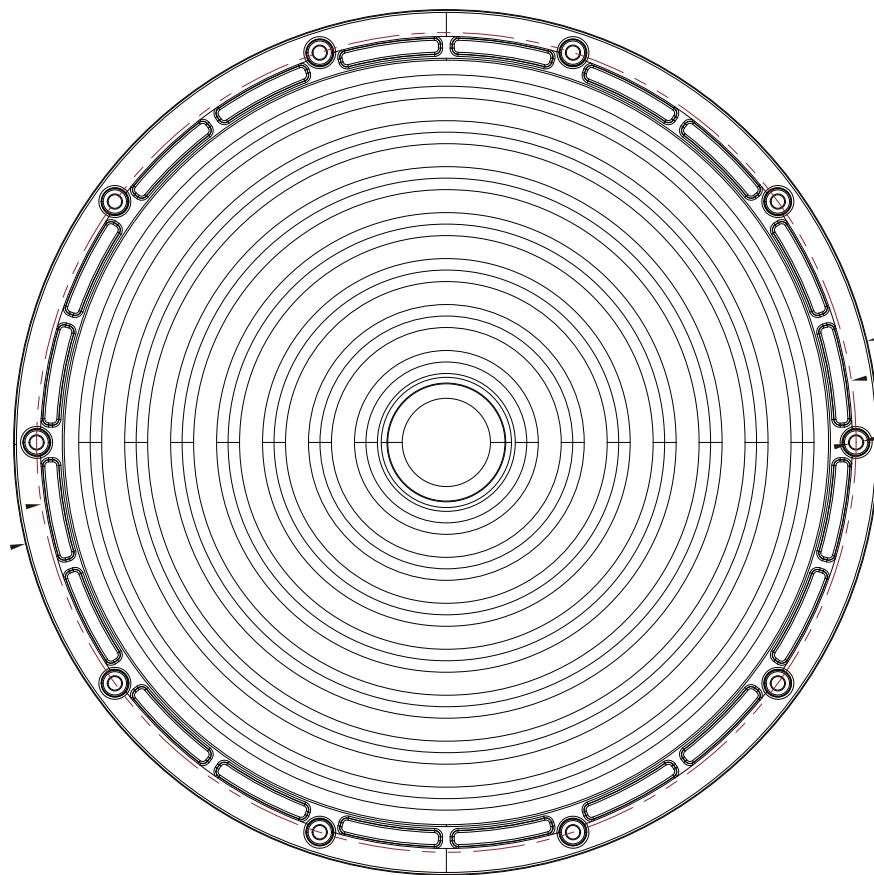
Unit: mm



Unit: mm



Unit: mm



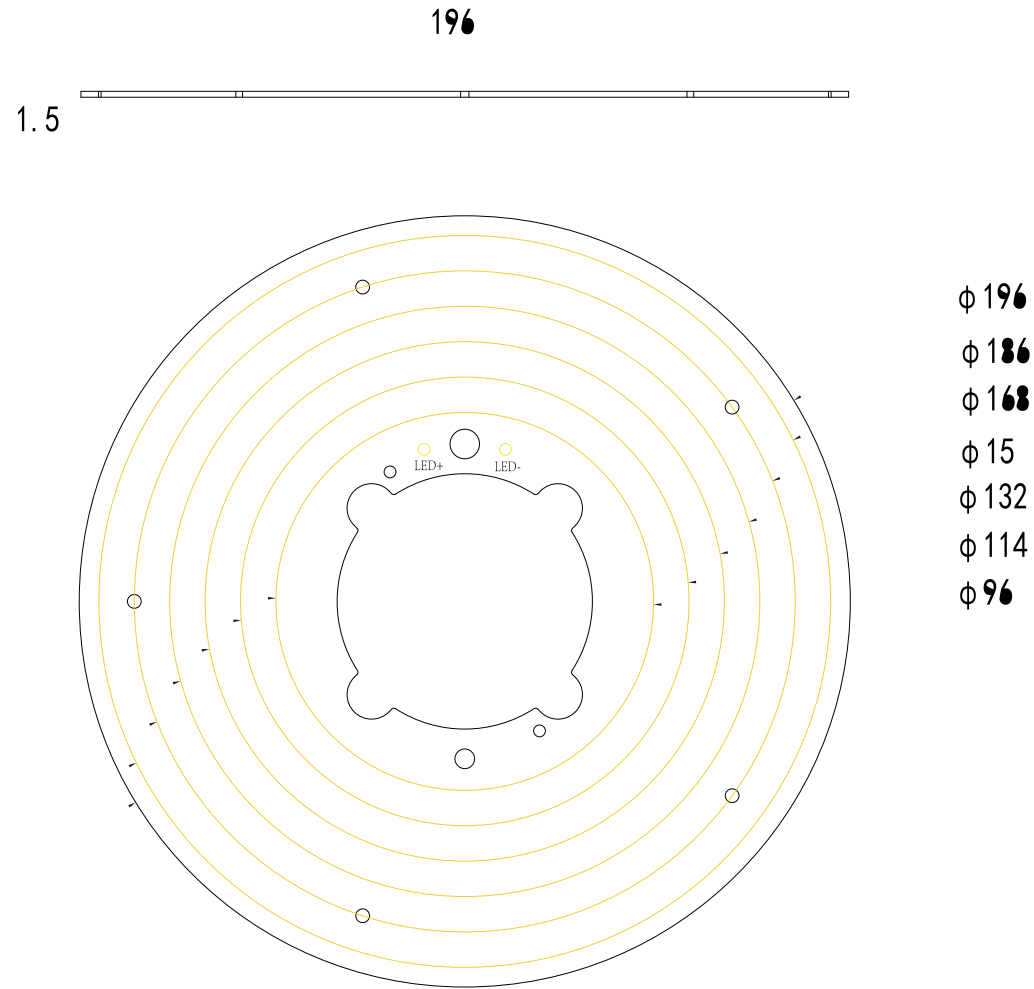
$\phi 226,$
 $\phi 214,$
 $\phi 3, 52$



226,

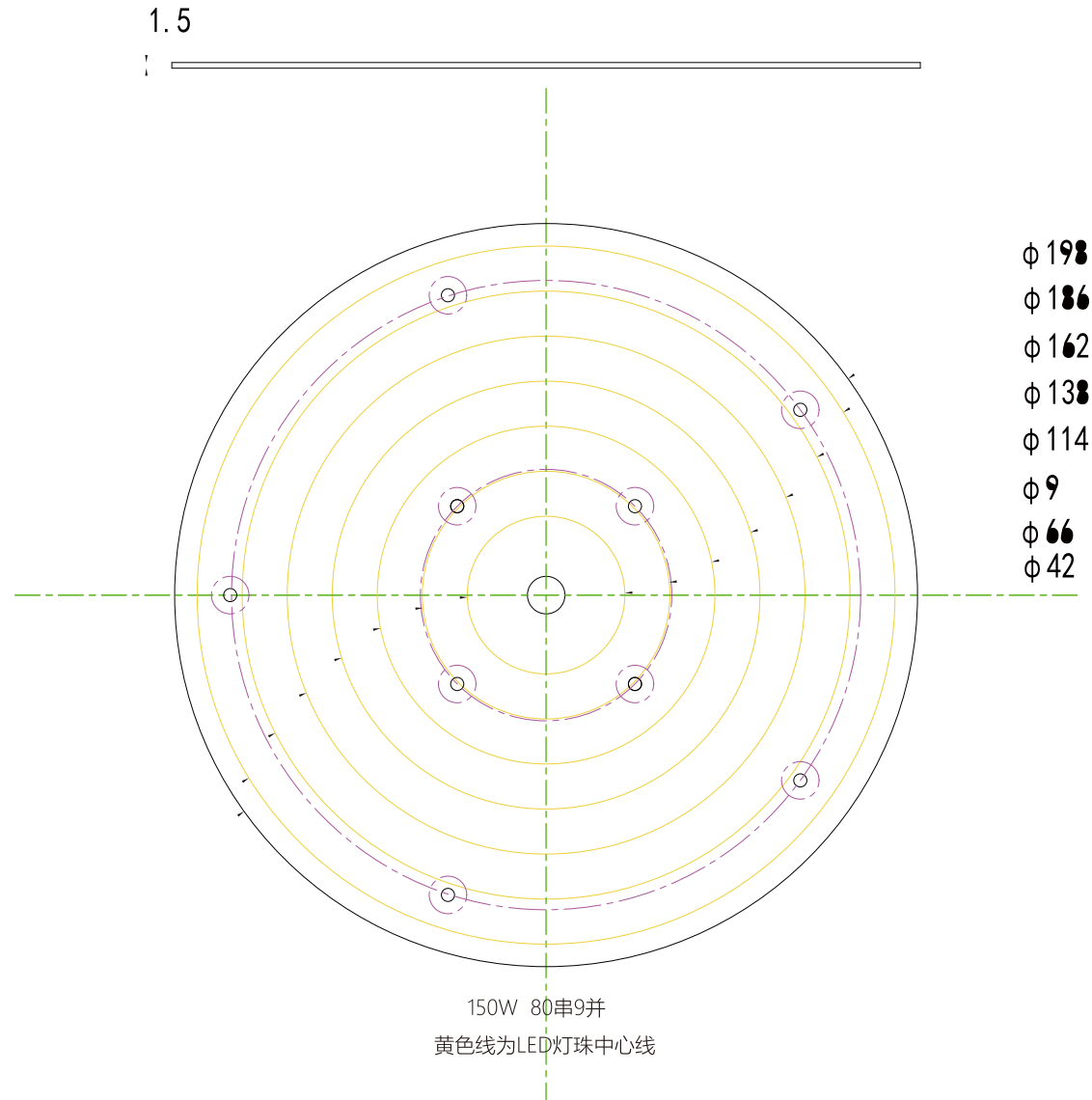
1, 3

Sensor model
Unit: mm



150W-UFO226-2835-40S6P

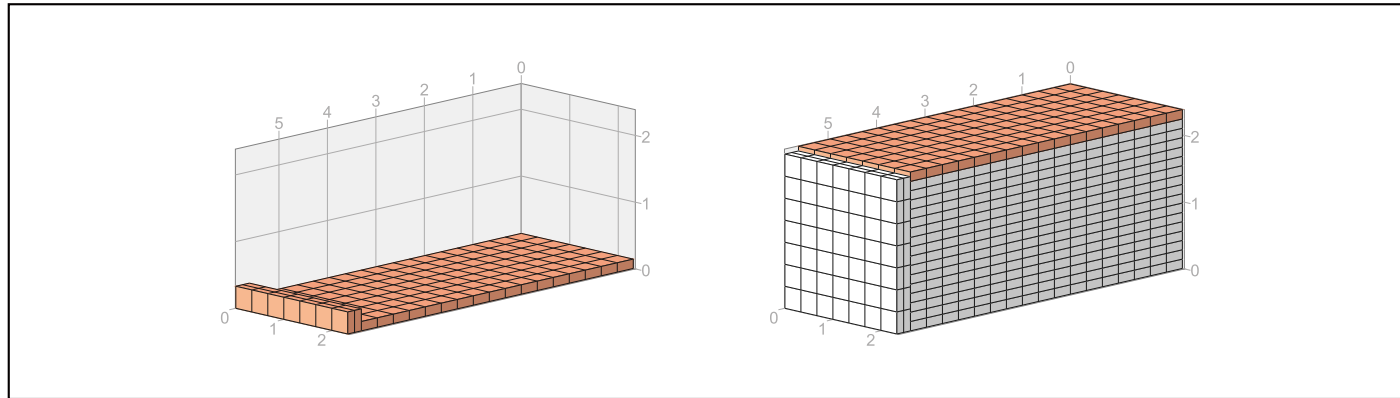
High-efficiency model
Unit: mm



Power	Package size	Quantity / Box	Single-piece volume m ³	Weight(g)	Gross weight(g)	A 20-foot small cabinet	40 feet
150W	L330*W330*H140 (mm)	1PCS/CTN	0.0152m ³	750g	0g	2121pcs	4333pcs

The packing information is for reference only.

2121 PCS
150W/20ft



4333 PCS
150W/40ft

