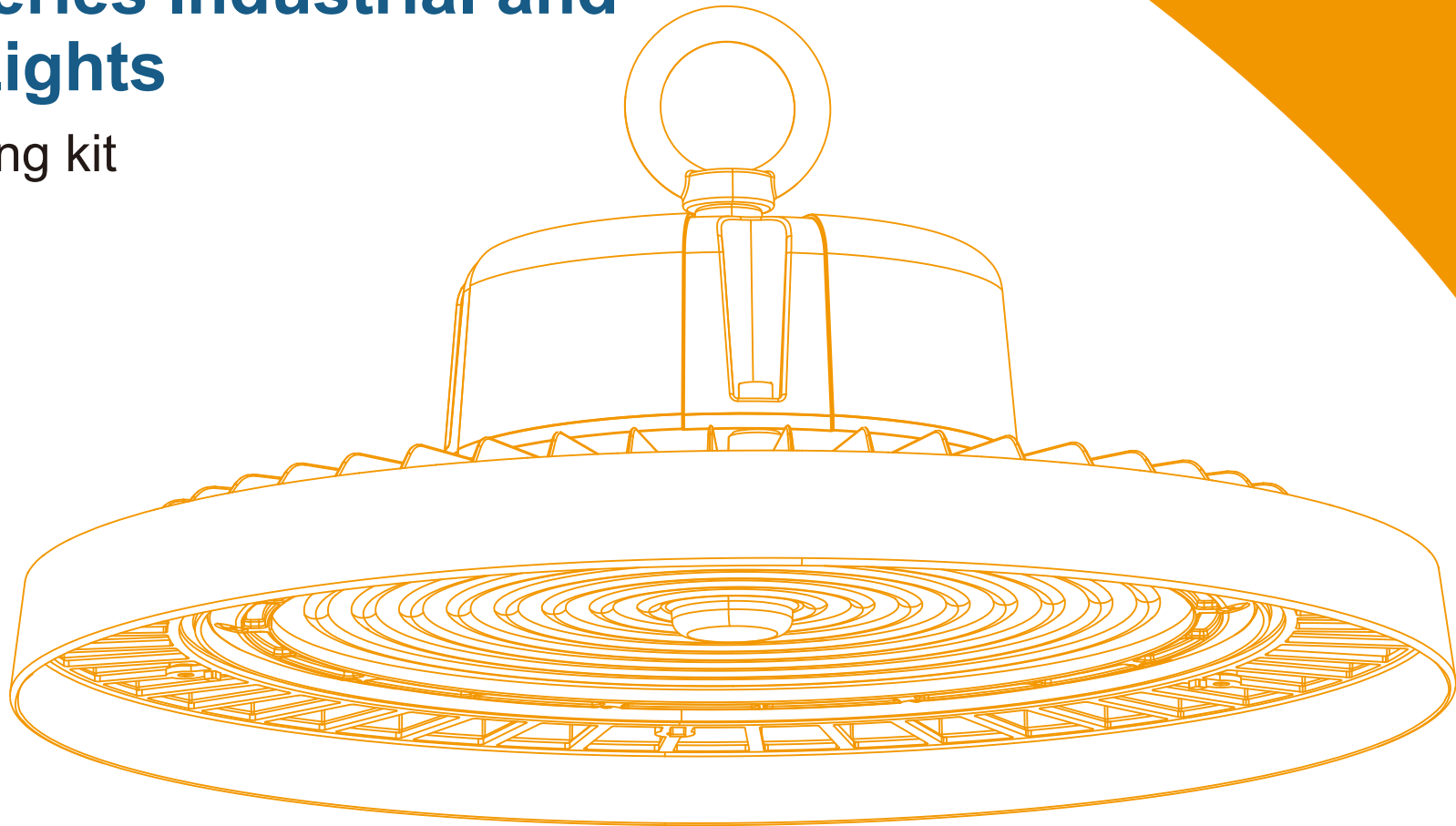


UFO J Series Industrial and Mining Lights

200W housing kit



Product Name: UFO J Series Industrial and Mining Lights
Specification Model: 200W
Release Date: May 12, 2023

LIST OF CONTENTS

Product parameters -----	1
Product photo -----	2
Product explosion diagram -----	6
Finished product size drawing -----	7
Heat sink dimension drawing -----	8
Lens dimension drawing -----	9
Aluminum base plate dimension drawing -----	10
Temperature Rise Test Report -----	11
Temperature rise curve -----	12
Packaging method -----	13

Material and surface treatment

Radiator	Aluminum alloy
Lens	Polycarbonate material
Shade cover	Polycarbonate material (with integrated lens)
Surface treatment	Electrostatic powder coating
Standard color	RAL 9017 black
IP protection level	IP 66
IK protection level	IK 09

Optical parameters

Lamp bead model	SMD2835
Light distribution	60° / 90° / 120°
Recommended installation height	4m to 12m
Color tolerance	/
	/
Color temperature	/
Color rendering index	/
Upward light output ratio	/

LED lifespan @ TQ 25°C

Configuration	
L70B10	/
L80B10	/
Switch cycle	/

Working conditions

Temperature range	-30°C to +45°C
Humidity range	10-90%RH
Installation options	Lifting and hoisting
	/
Warranty	/

Certification information

Does it include power supply	/
Is it CE certified	/
Is it RoHS certified	/
Is it SAA certified	/
Safety	/
Testing standards	/

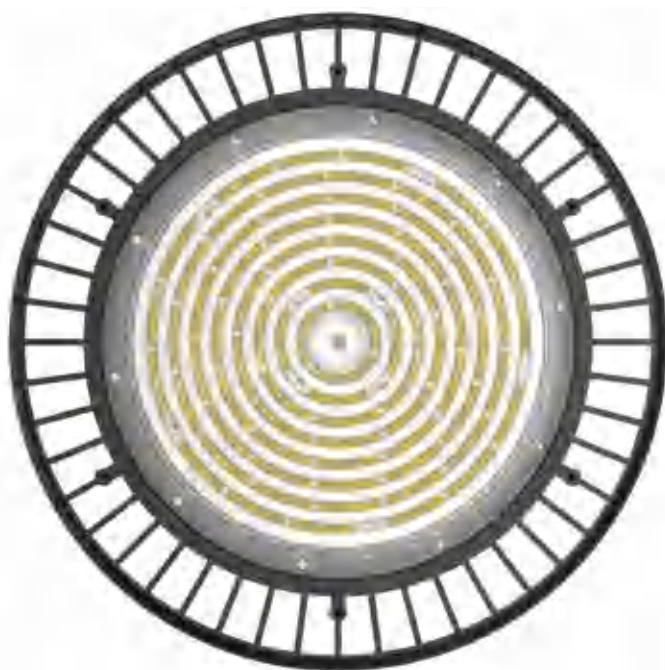
Performance

Power	200W
Luminous efficiency	160lm/W~180lm/W
Power efficiency	/
Startup time	/
The time when the lamp reaches 60% of its power level	/

Electrical parameters

Electrical category	/
Rated voltage	/
Power factor (at full load)	/
Lightning protection level	/
Electromagnetic compatibility	/
Control protocol	/
Total harmonic distortion	/
Power supply type	/

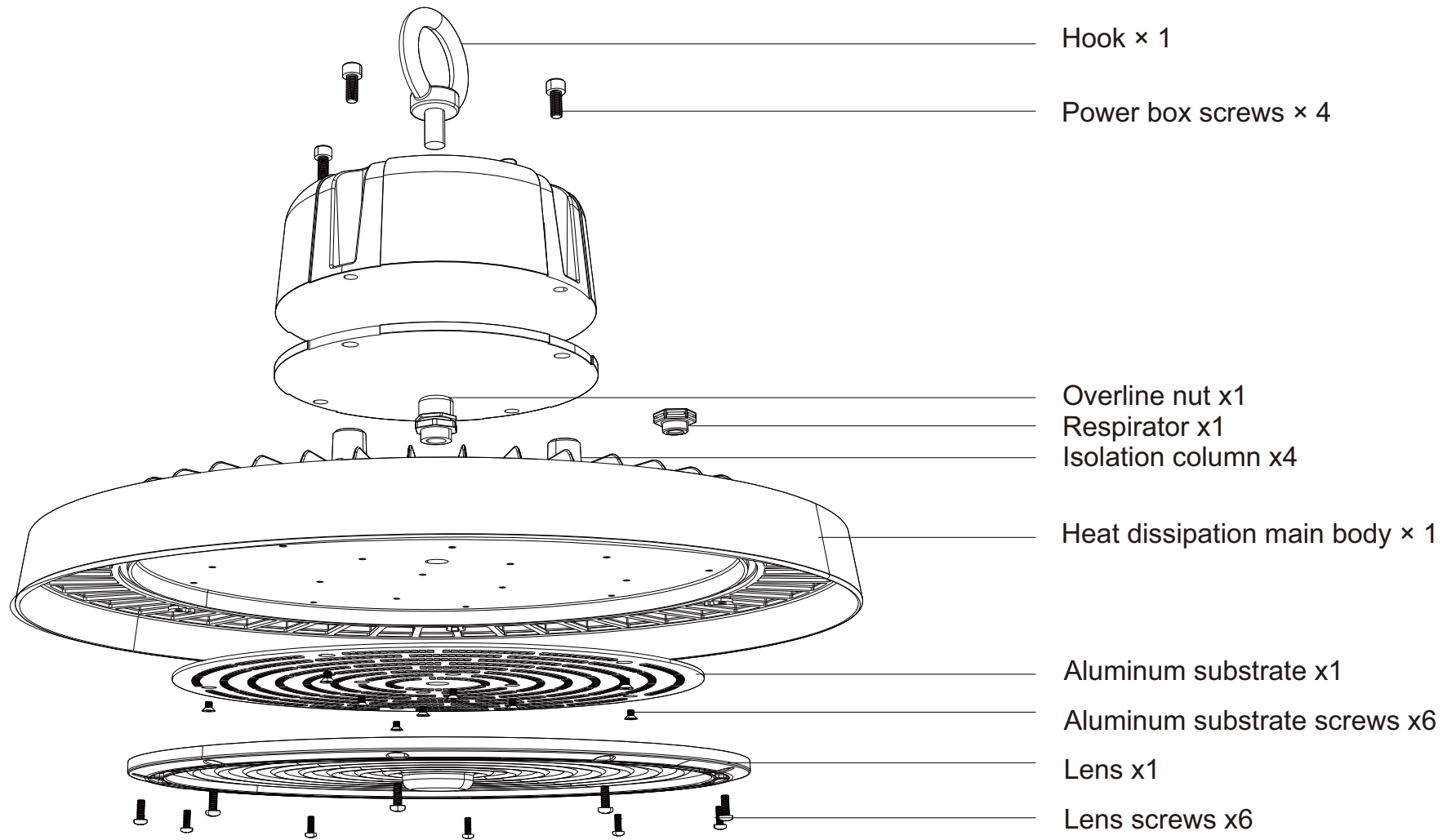




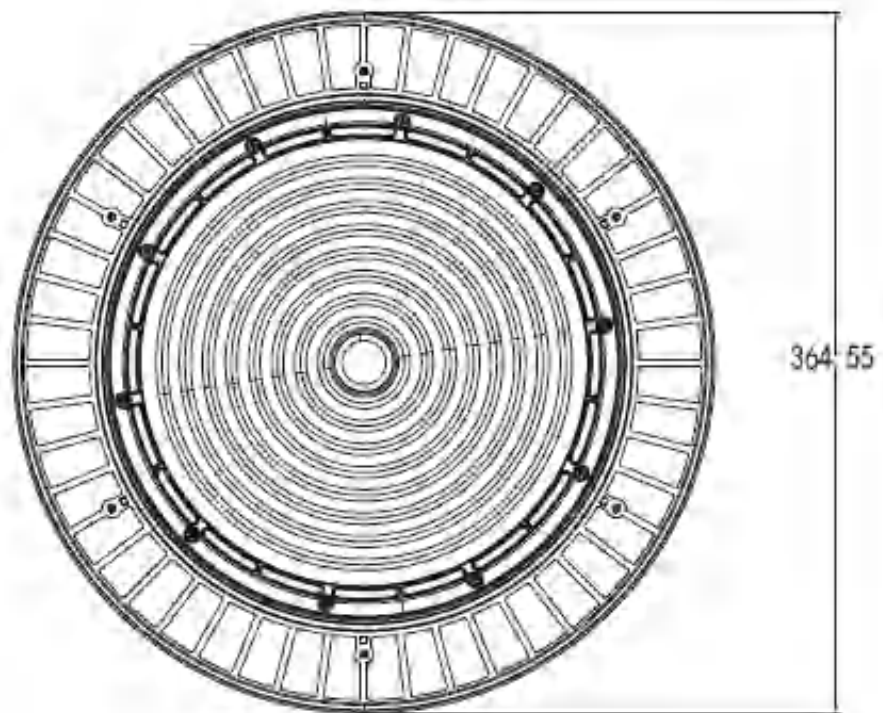
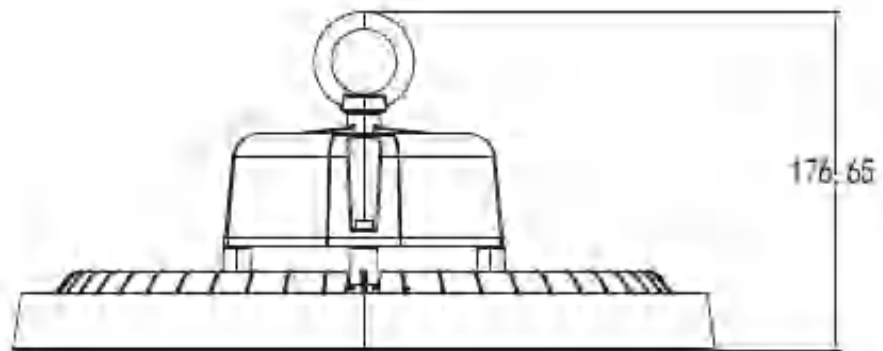




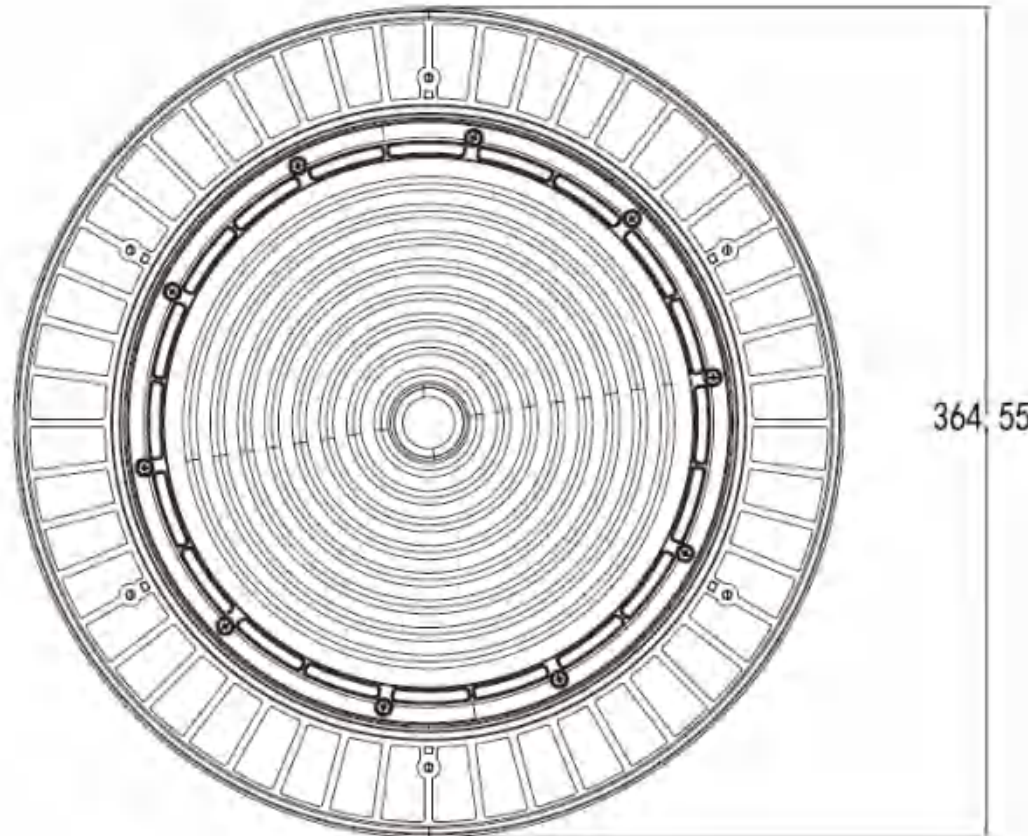
Unit: mm



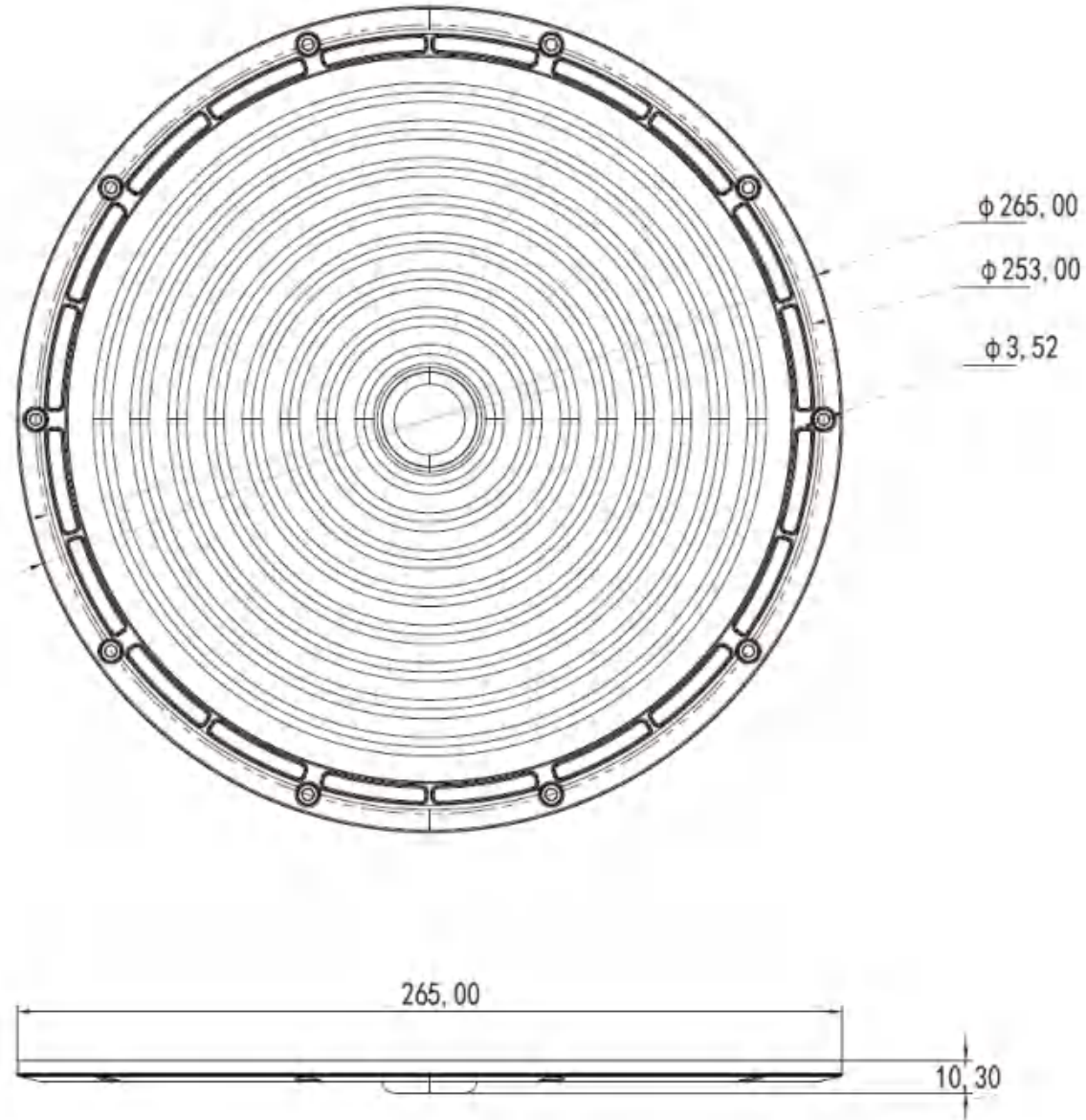
Unit: mm



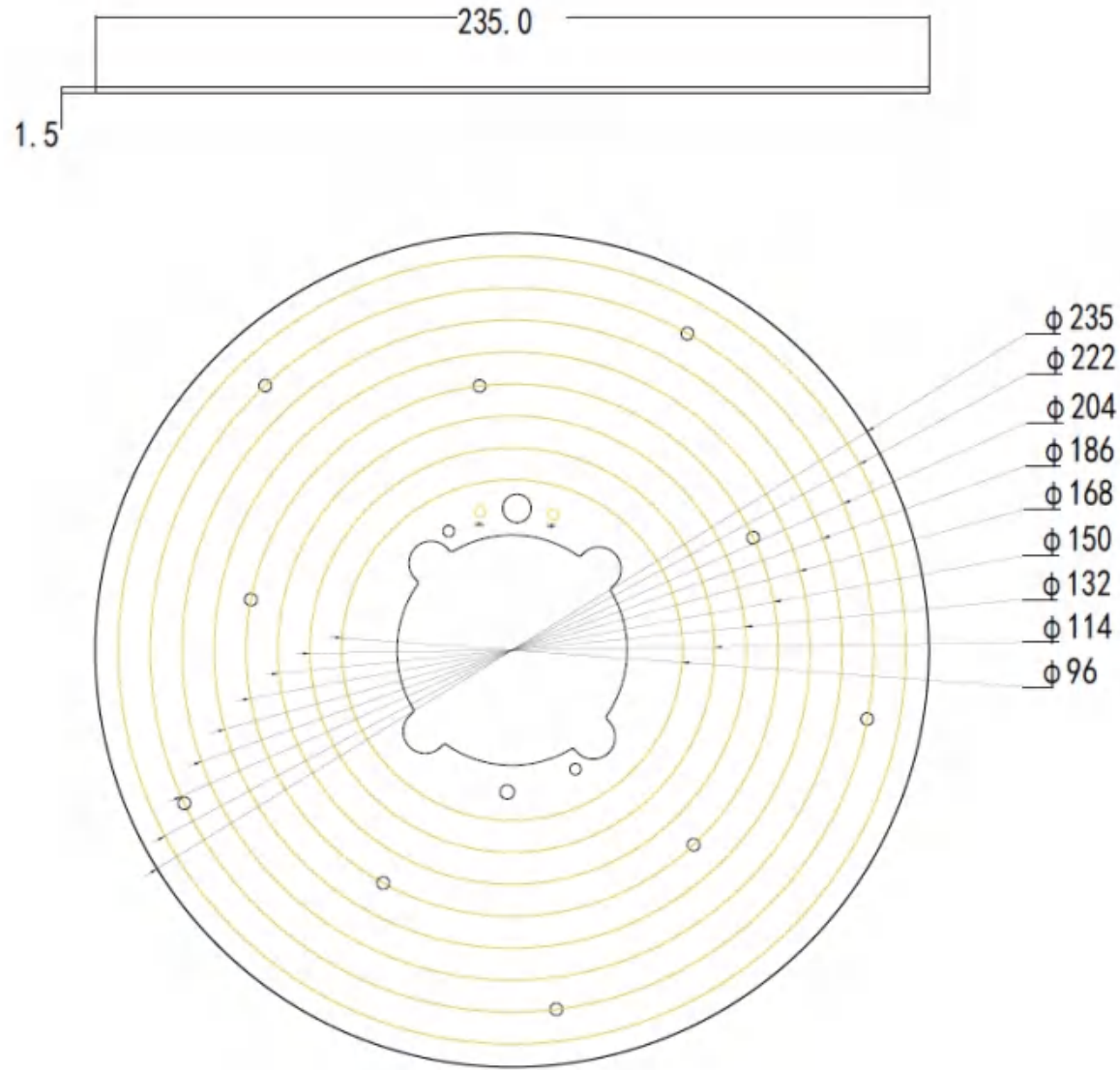
Unit: mm



Unit: mm



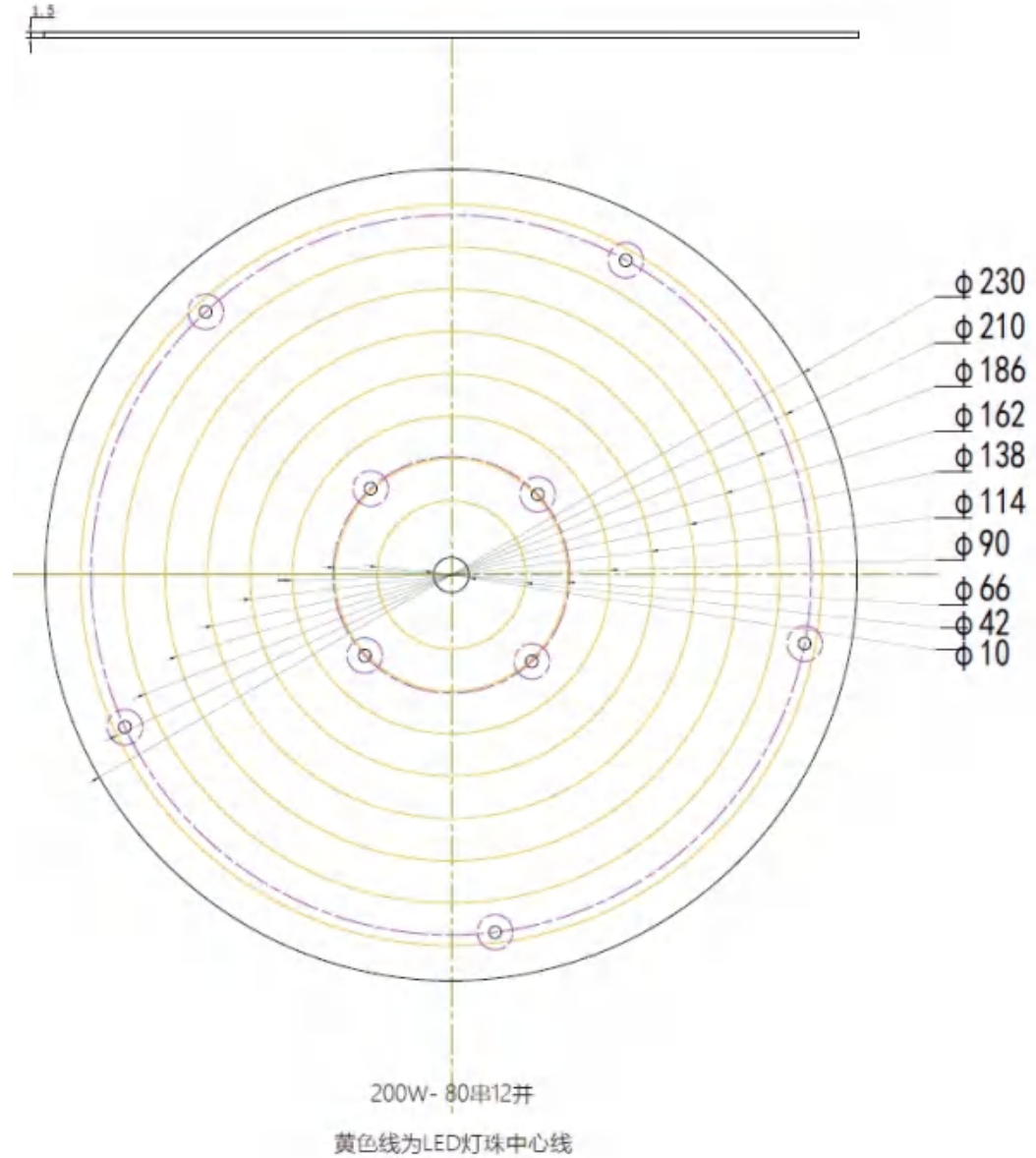
Sensor model
Unit: mm



200W-UFO265-2835-40S8P

黄色线为LED灯珠中心线

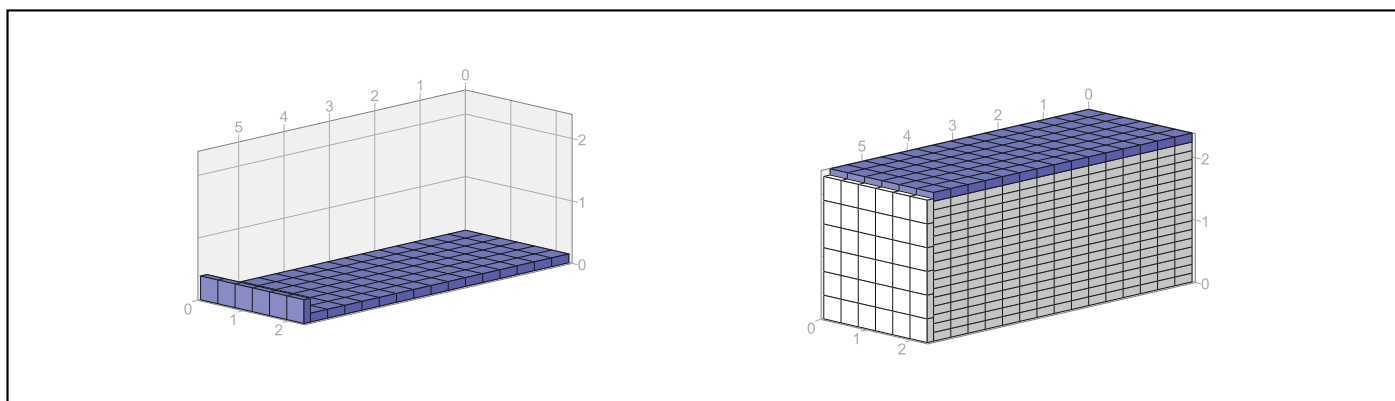
High-efficiency model
Unit: mm



Power	Package size	Quantity / Box	Single-piece volume m ³	Weight(g)	Gross weight(g)	A 20-foot small cabinet	40 feet
200W	L380*W380*H140	1PCS/CTN	0.0202m ³	1000g	0g	1566pcs	3198pcs

The packing information is for reference only.

1566PCS
200W/20ft



3198PCS
200W/40ft

