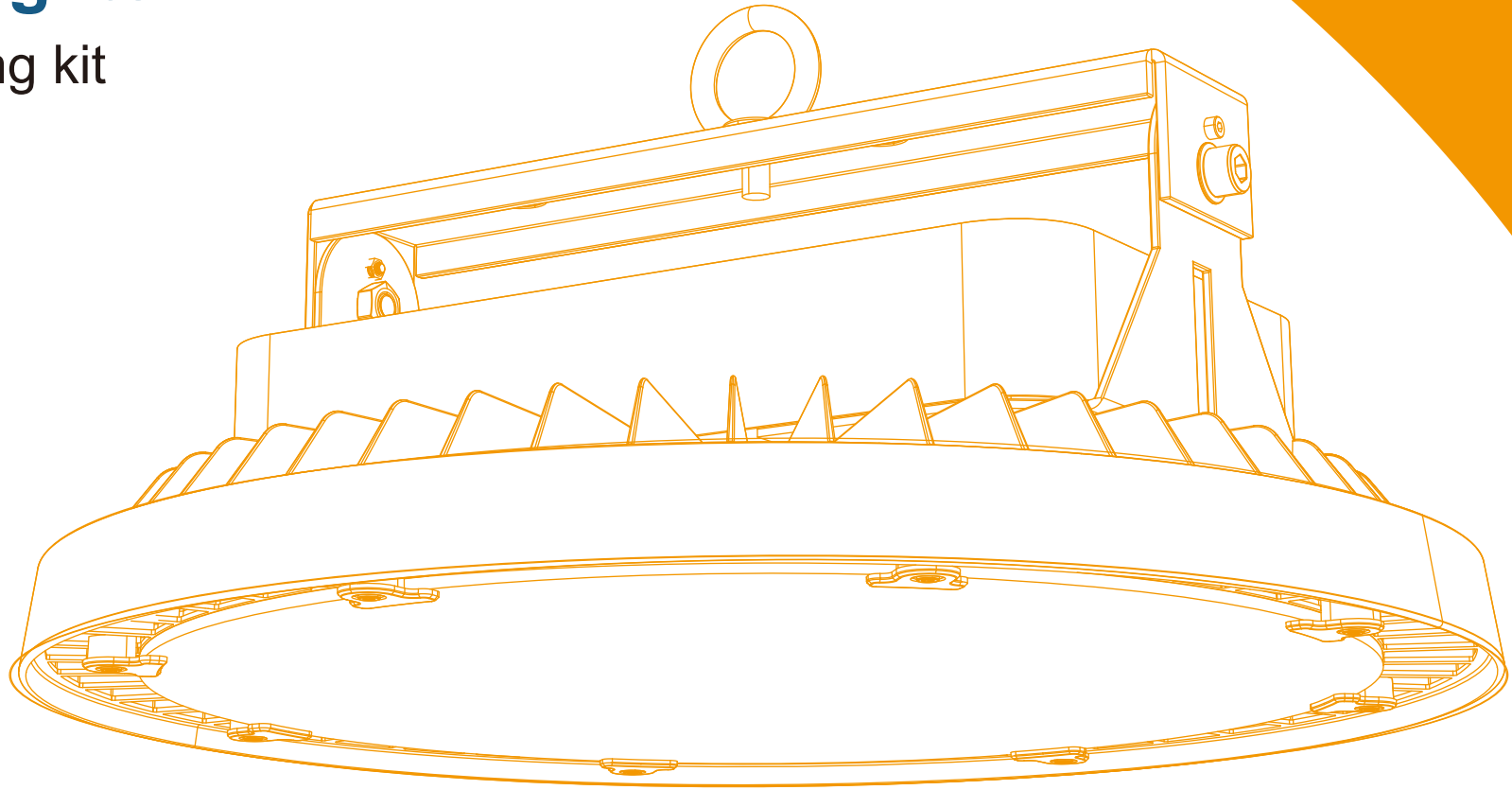


UFO J Series Industrial and Mining Lights

500W housing kit



Product Name: UFO J Series Industrial and Mining Lights
Specification Model: 500W
Release Date: June 1, 2023

LIST OF CONTENTS

Product parameters -----	1
Product photo -----	2
Product explosion diagram -----	6
Finished product size drawing -----	7
Heat sink dimension drawing -----	8
Lens size diagram -----	9
Aluminum substrate size diagram -----	10
Temperature Rise Test Report -----	11
Temperature rise curve -----	12
Packaging method -----	13

Material and surface treatment

Radiator	Aluminum alloy
Lens	Polycarbonate material
Shutter hood	Polycarbonate material (with integrated lens)
Surface treatment	Electrostatic powder coating
Standard color	RAL 9017 black
IP protection level	IP 66
IK protection level	IK 09

Optical parameters

Lamp bead model	SMD2835
Light distribution	60° / 90° / 120°
Recommended installation height	4m to 12m
Color tolerance	/
	/
Color temperature	/
Color rendering index	/
Upward light output ratio	/

LED lifespan @ TQ 25°C

Configuration	
L70B10	/
L80B10	/
Switch cycle	/

Working conditions

Temperature range	-30°C to +45°C
Humidity range	10-90%RH
Installation options	Lifting and hoisting
	/
Warranty	/

Certification information

Does it include power supply	/
Is it CE certified	/
Is it RoHS certified	/
Is it SAA certified	/
Safety	/
Testing standards	/

Performance

Power	500W
Lighting efficiency	160lm/W~180lm/W
Power efficiency	/
Startup time	/
The time when the lamp reaches 60% of its power level	/

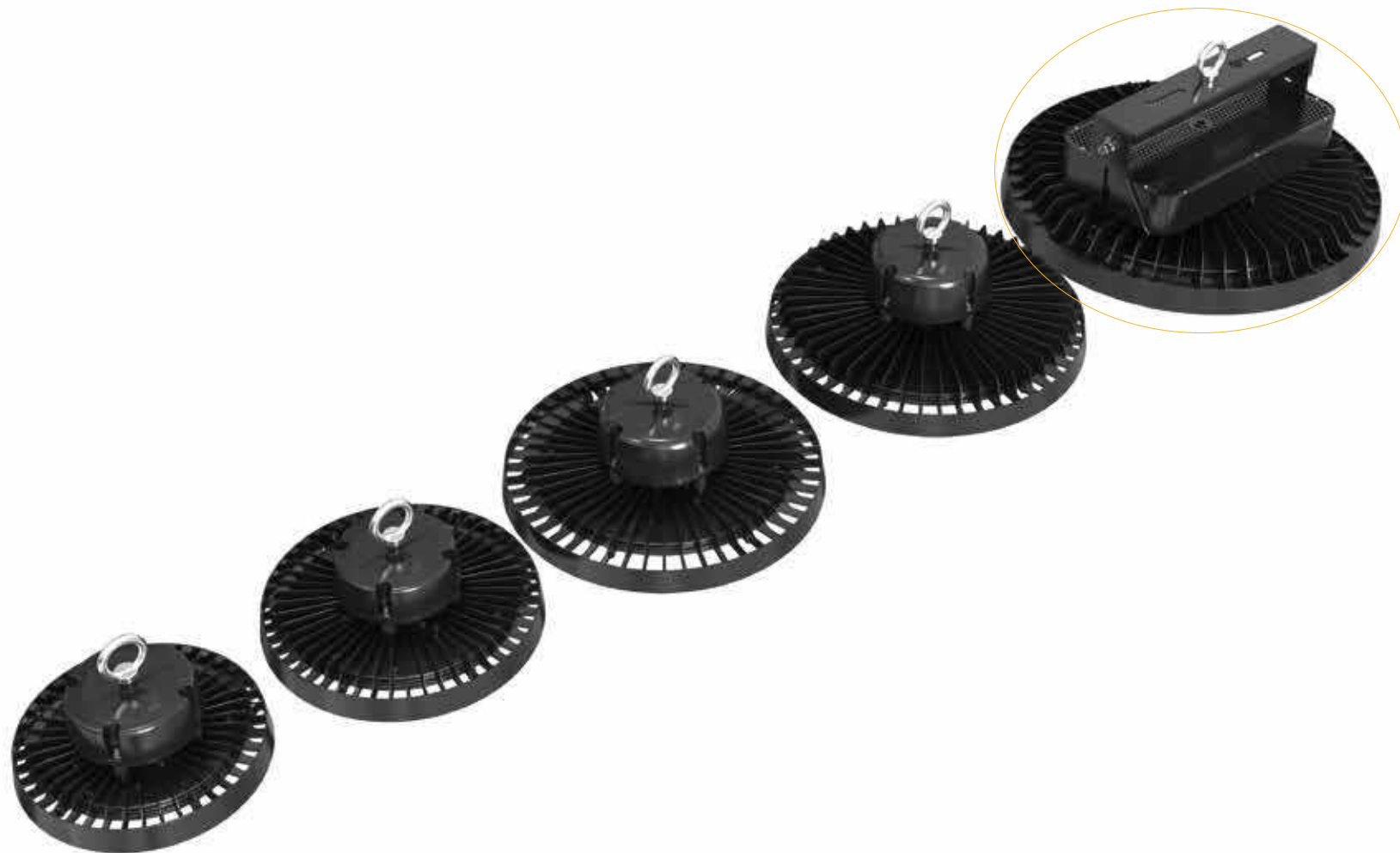
Electrical parameters

Electrical category	/
Rated voltage	/
Power factor (at full load)	/
Lightning protection level	/
Electromagnetic compatibility	/
Control protocol	/
Total harmonic distortion	/
Power supply type	/

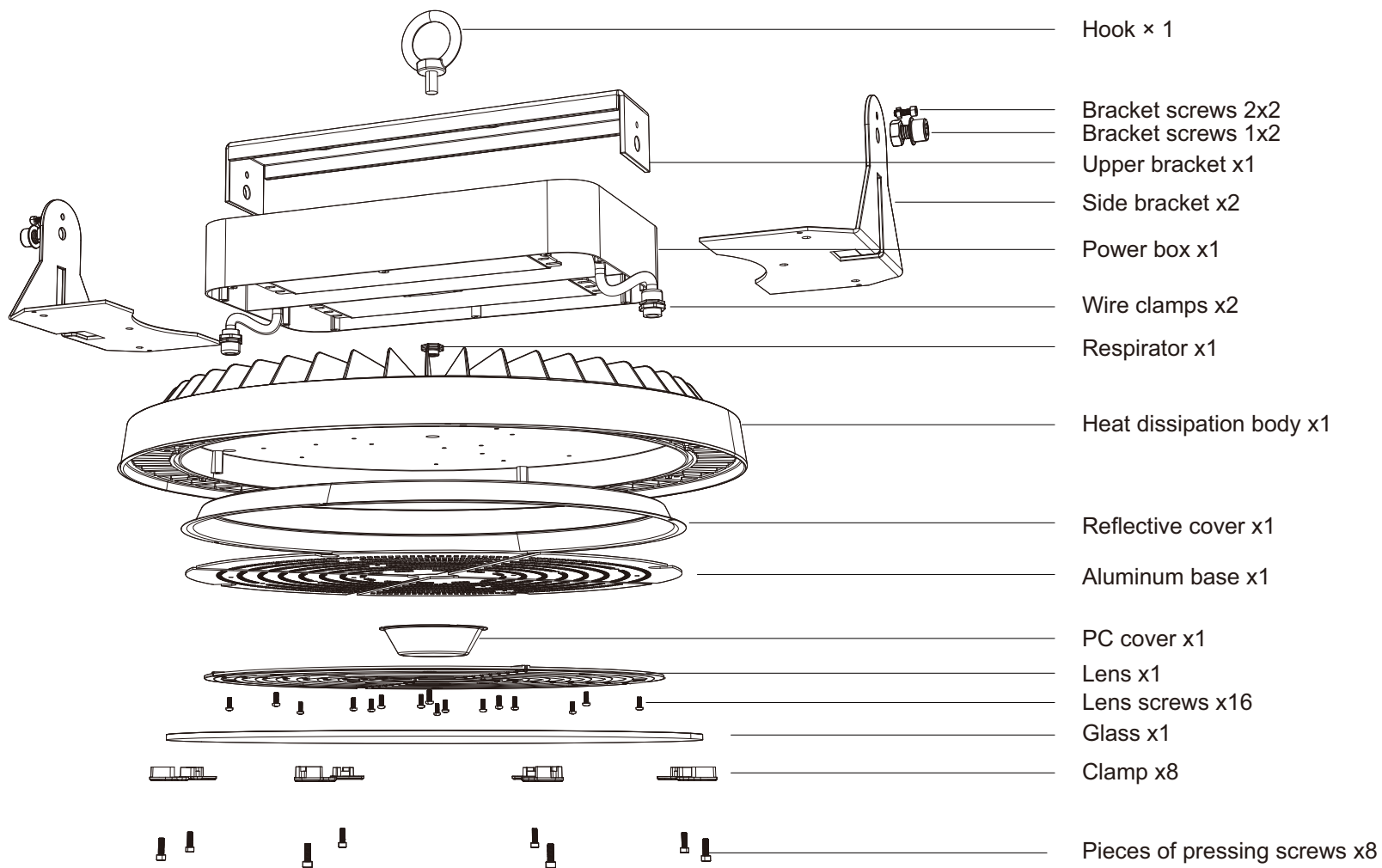




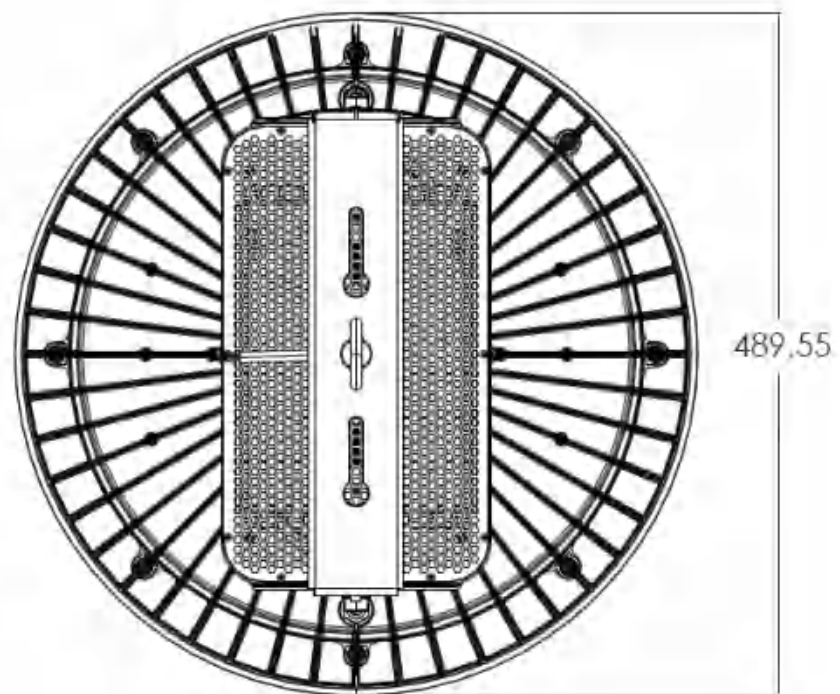
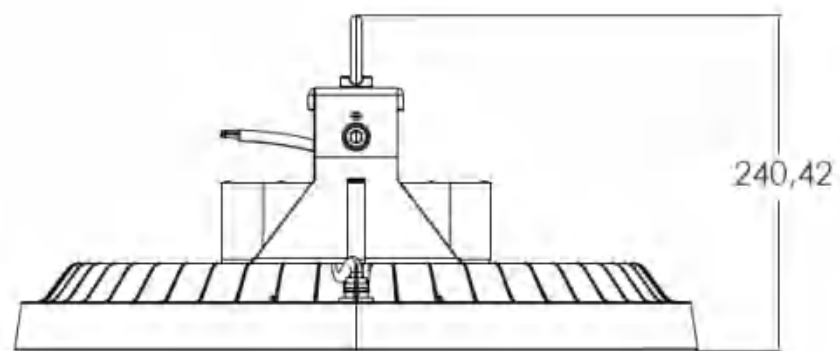




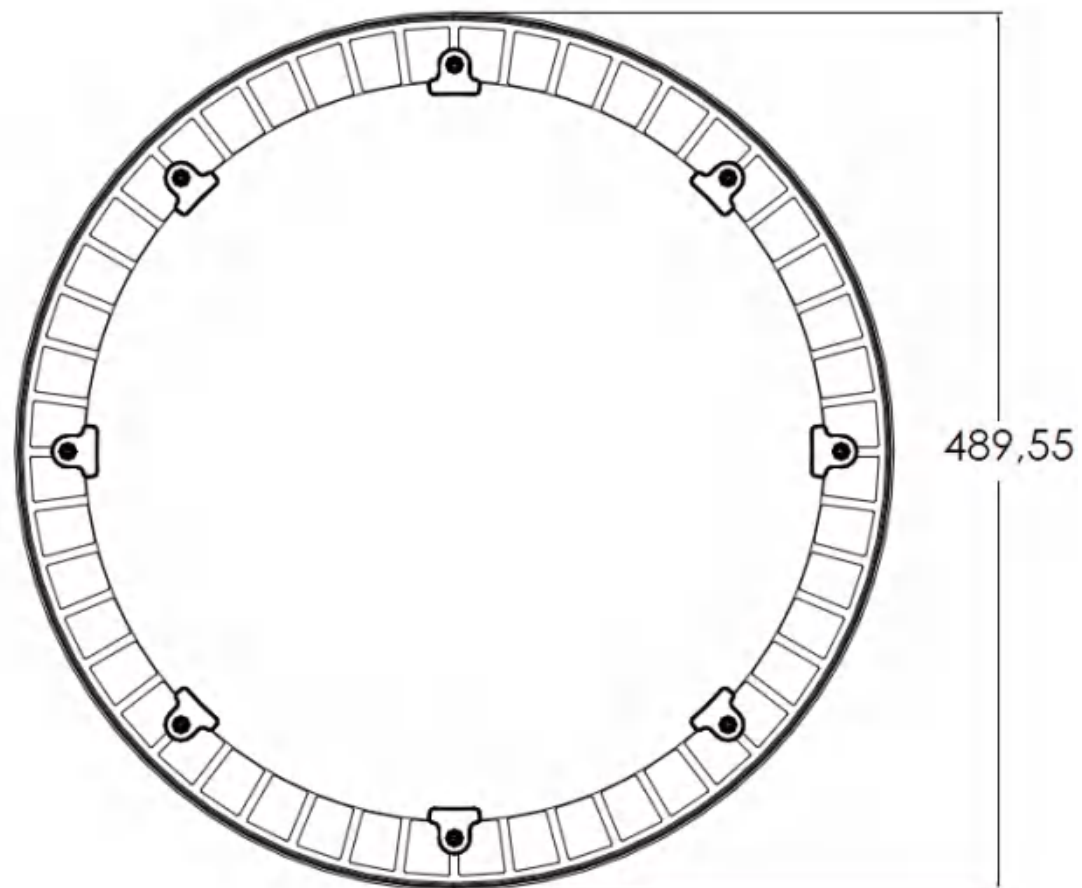
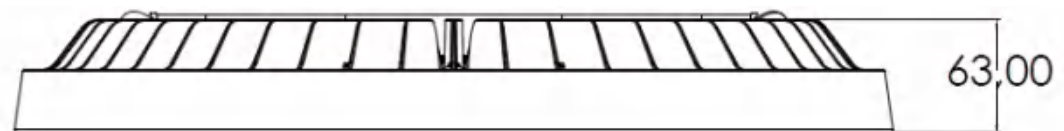
Unit: mm



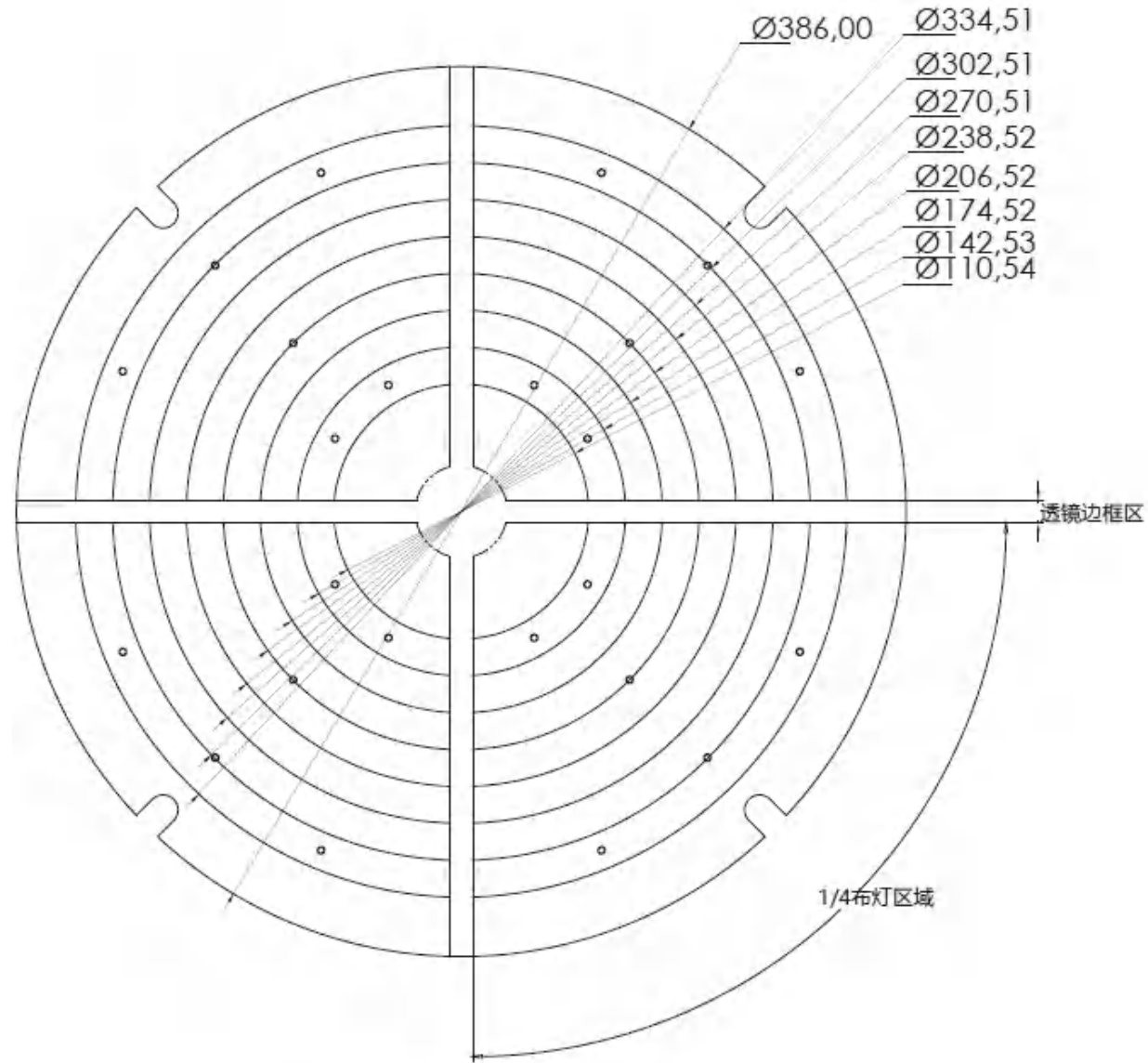
Unit: mm



Unit: mm



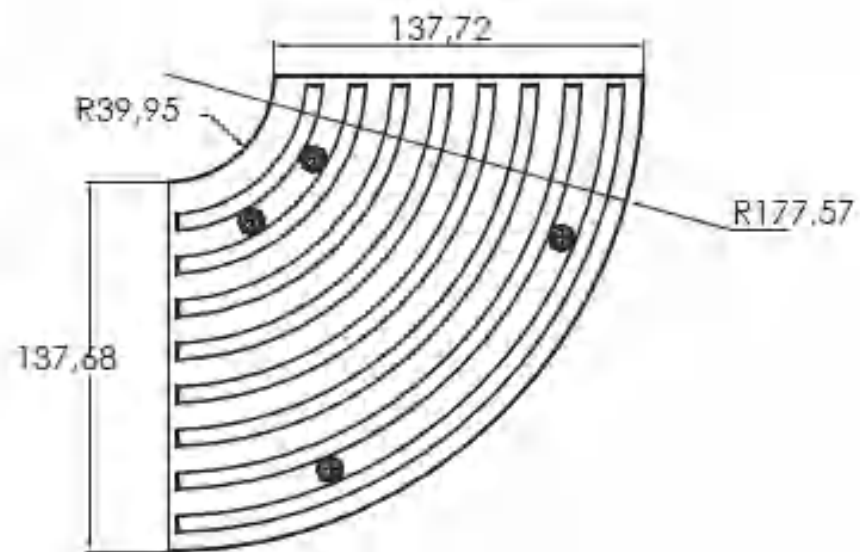
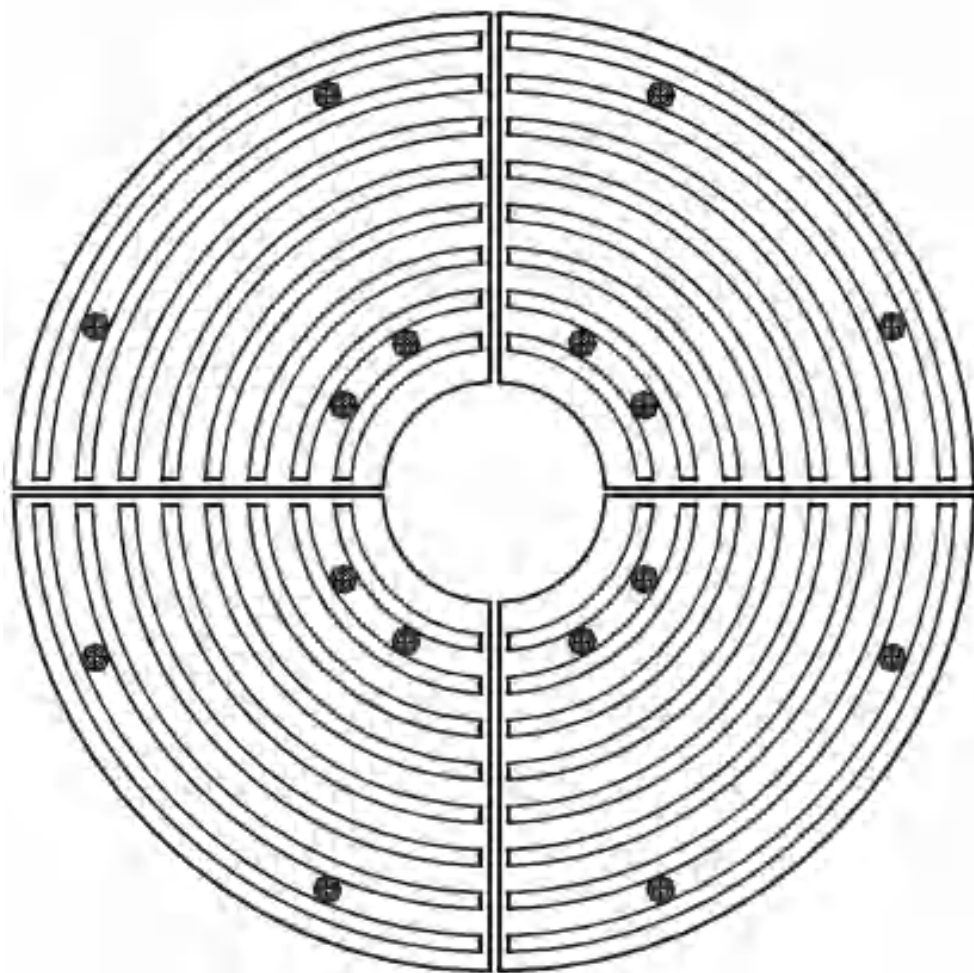
Unit: mm



500W-UFO265-2835-40S8P

黄色线为LED灯珠中心线

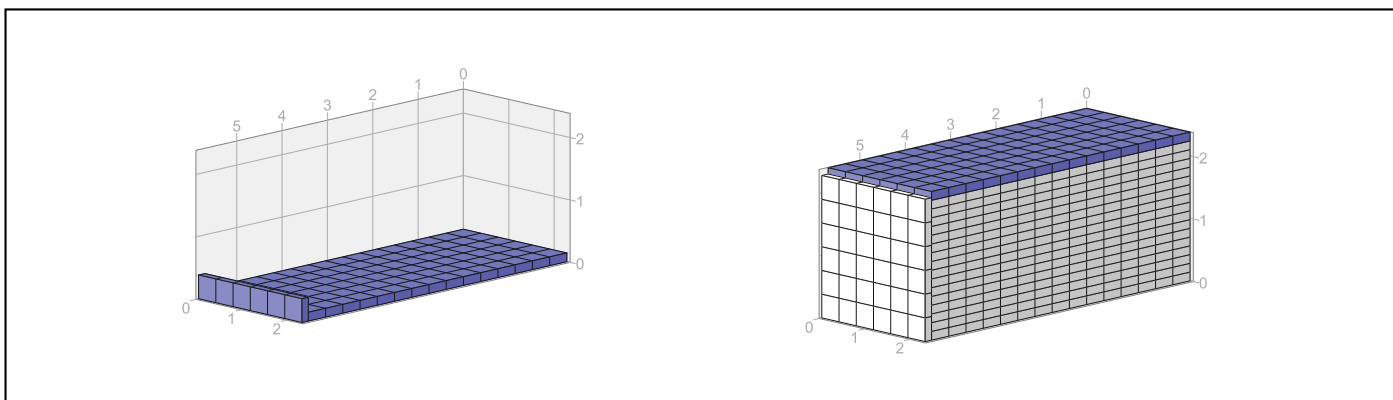
Unit: mm



Power	Package size	Quantity / Box	Single-piece volume m ³	Weight(g)	Gross weight(g)	A 20-foot small cabinet	40 feet
500W	∕	1PCS/CTN	∕	∕	0g	∕	∕

The packing information is for reference only.

∕PCS
500W/20ft



∕PCS
500W/40ft

