

LED STREET LIGHT

Tian Xiang Series

PSL006

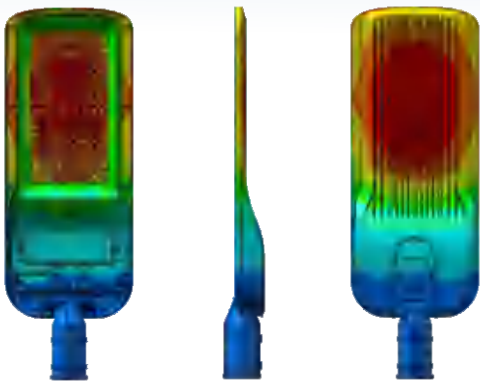


OVERVIEW

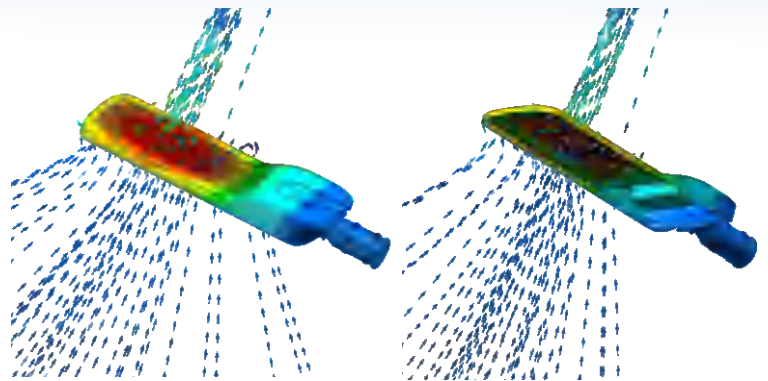


THERMAL MANAGEMENT

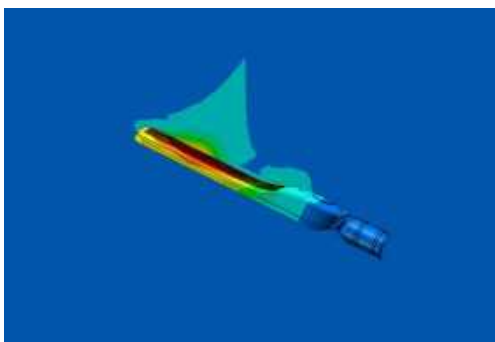
Structure is optimized by advanced FEA technology. Cold-Hot Zones are divided to achieve longer lifespan for the LED driver.



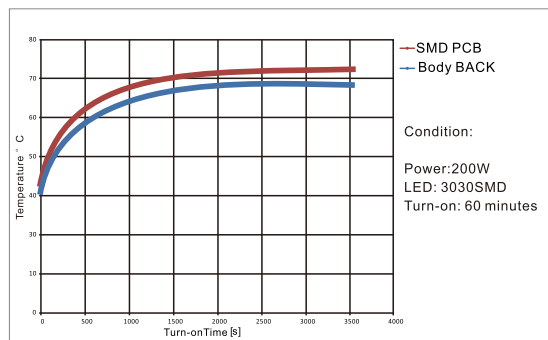
Thermal Conductivity



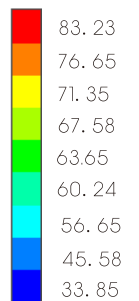
Thermal Air Convection



Thermal Effects to Air



Temperature Rise Curve



Unit: °C

EXPLODED

ADC12 die-casting aluminum body,
thermal efficiency up to 96W/M.K.

Highly thermal conductive
aluminum PCB

3030/5050 SMD light source

Anti-UV anti-glare pc lens

Spirit level

Waterproof gland

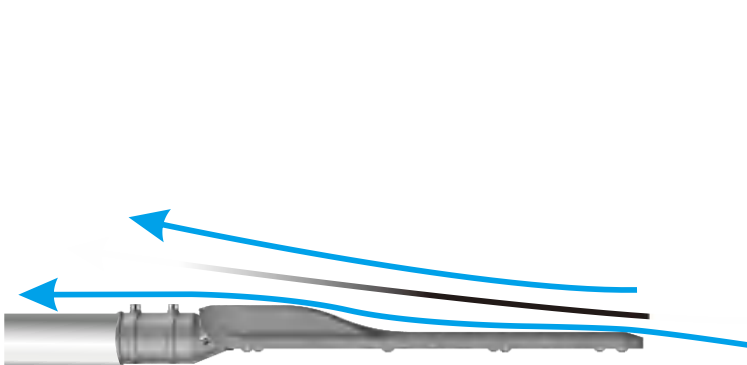
Adjustable
90/180° lampholder

Compatible with brand power supply

Nano PC reflector

UV-proof waterproof silicone gel

Tempered glass cover



Streamlined windproof
design



APPLICATIONS

Widely Applicable to
Roads, communities, courtyards,
parks, squares, villas, etc.



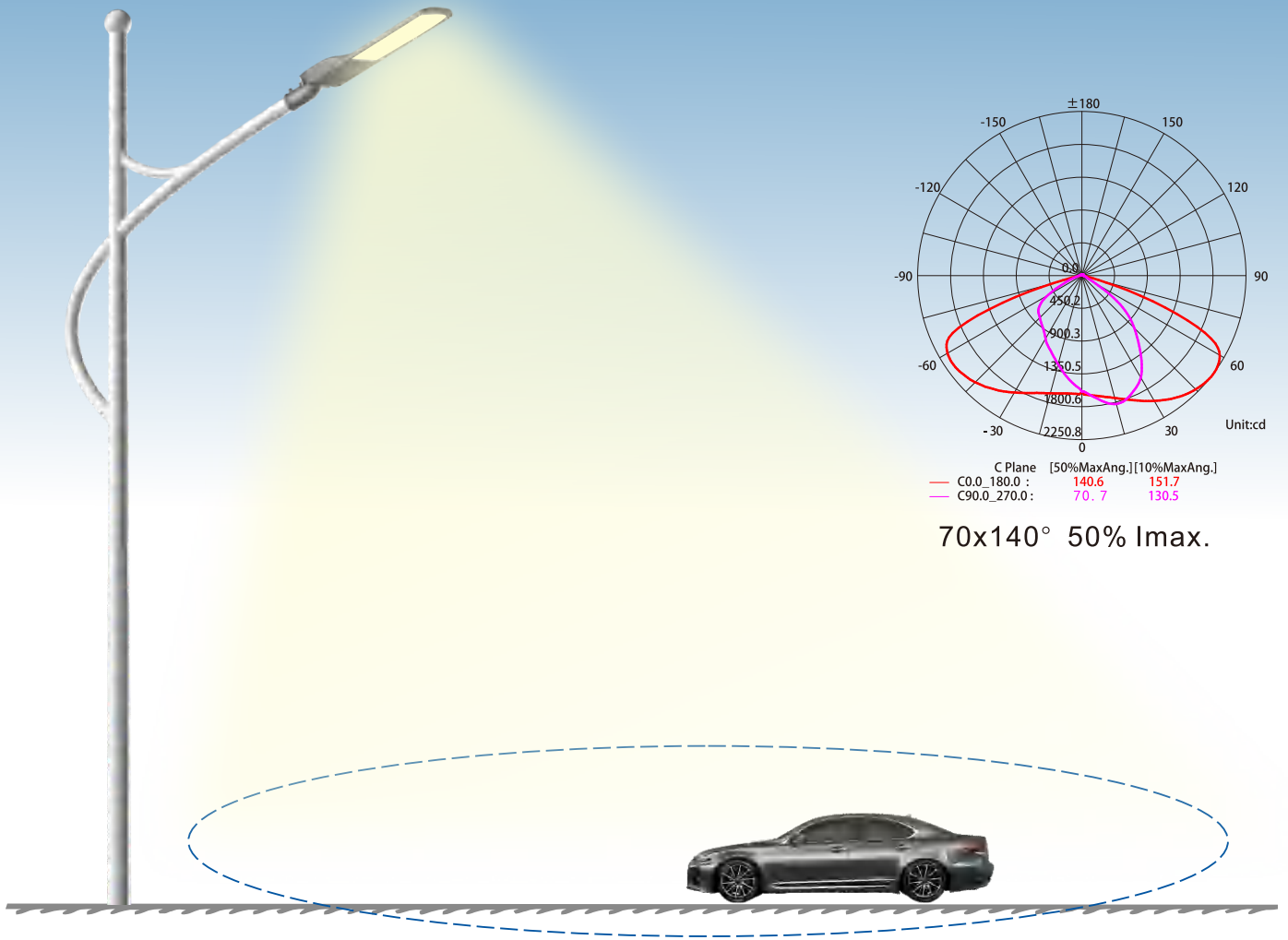
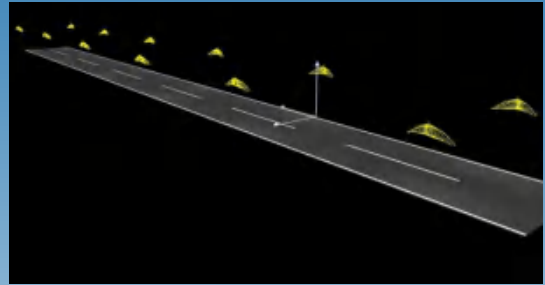
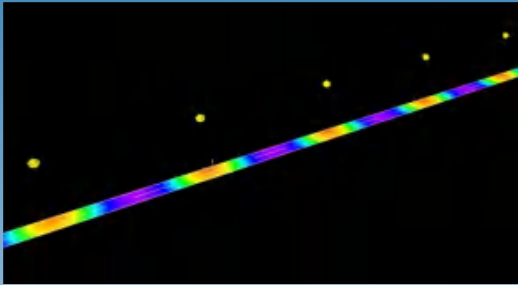
**Photocell
Sensor Optional**

OPTICS

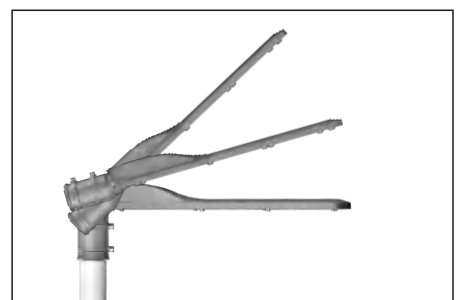
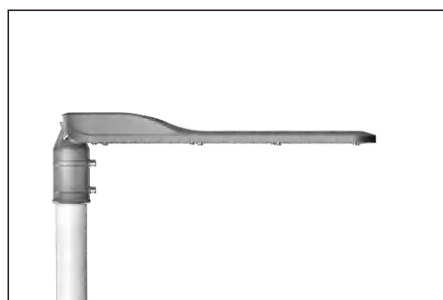
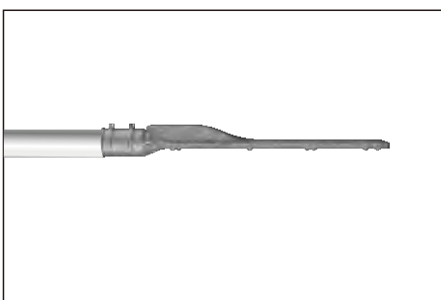
Tech. Support: Tell us the room length, width, height and the usage.

We have an engineer team to respond the DIALUX simulations for lights quantity calculation and effects.

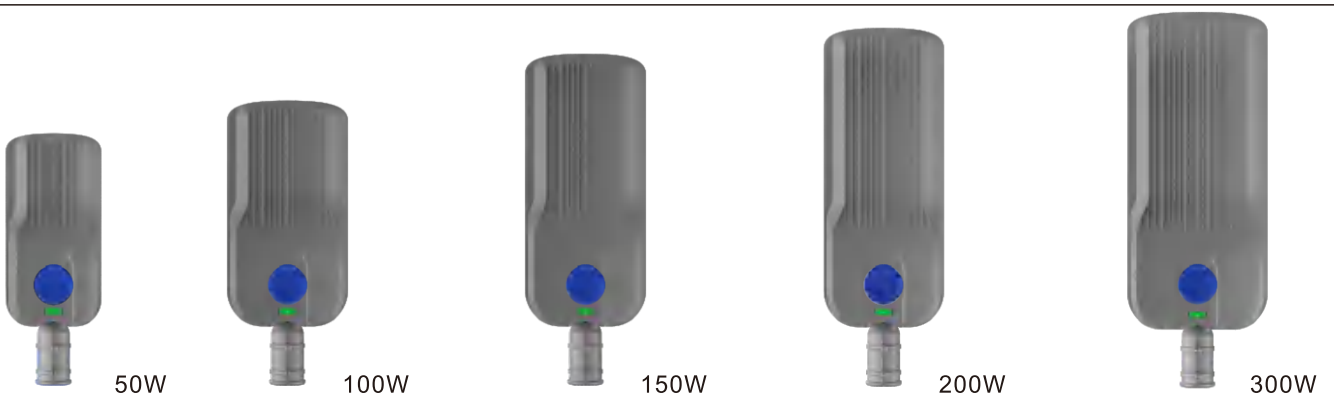
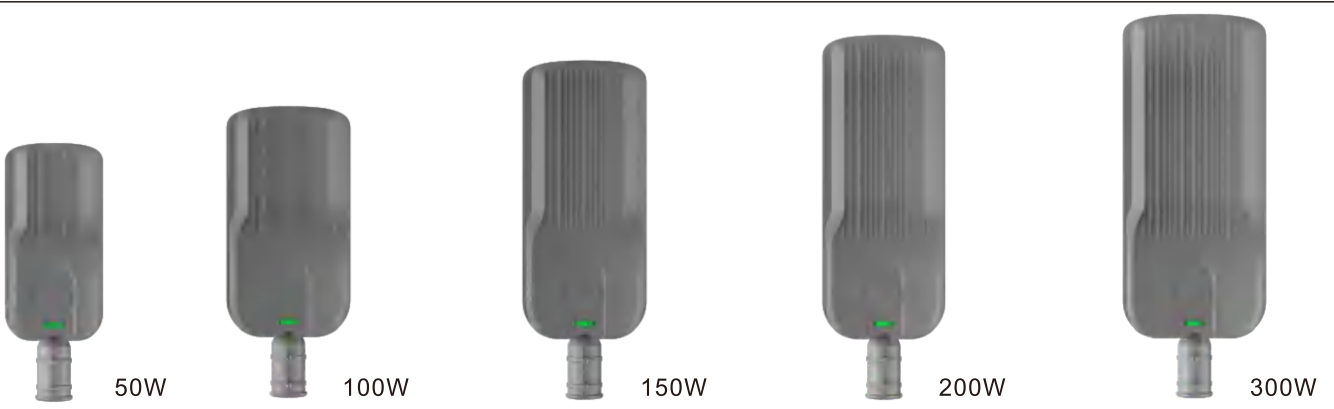
ies files are available upon request.



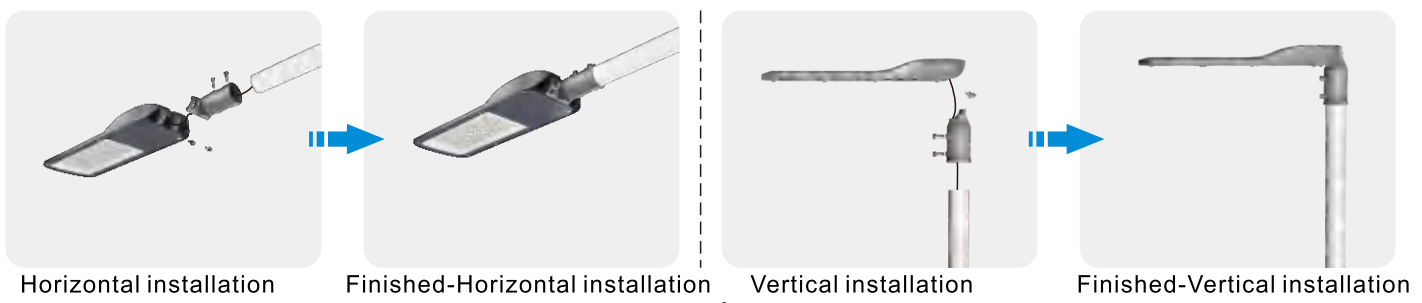
ADJUSTABLE INSTALLATIONS



PRODUCT DISPLAY

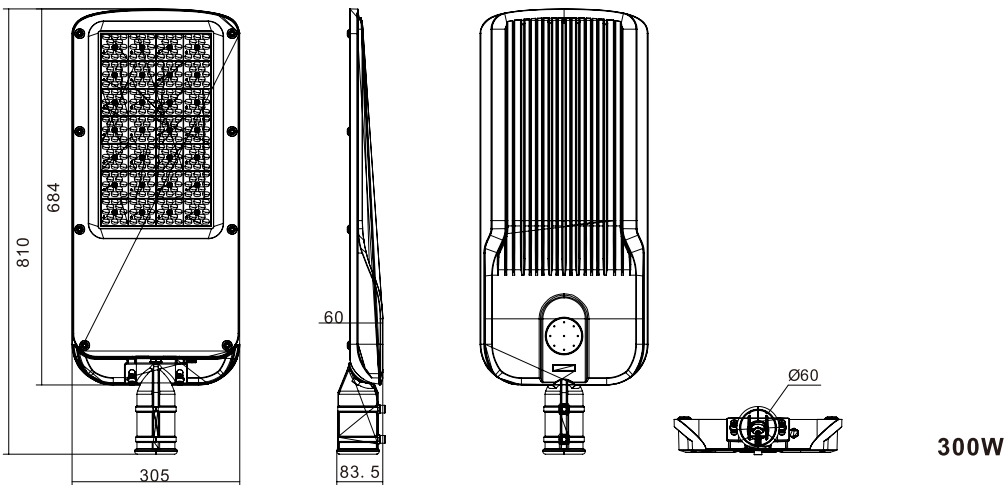
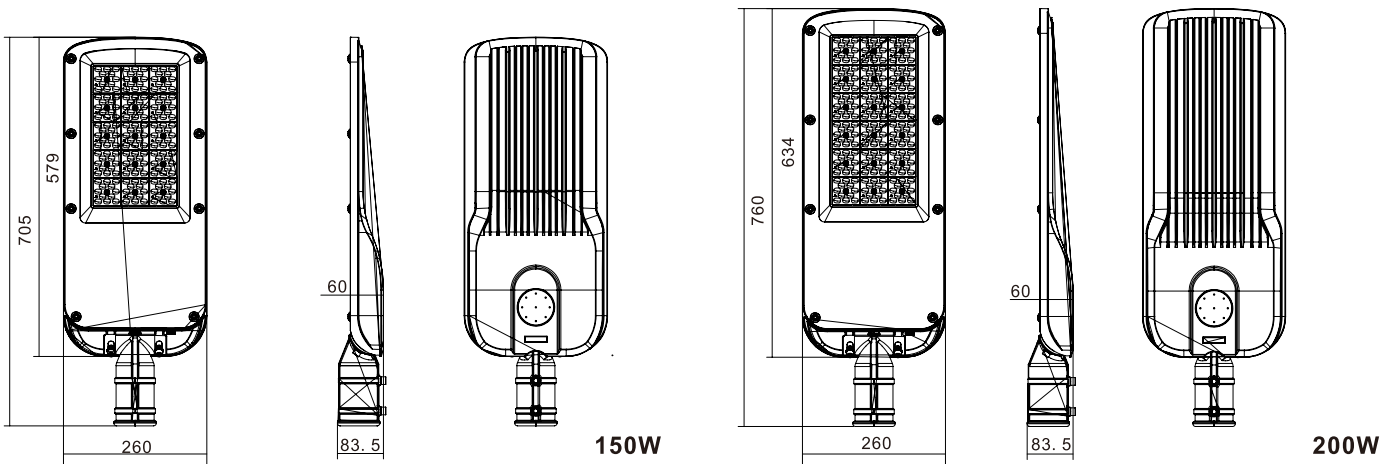
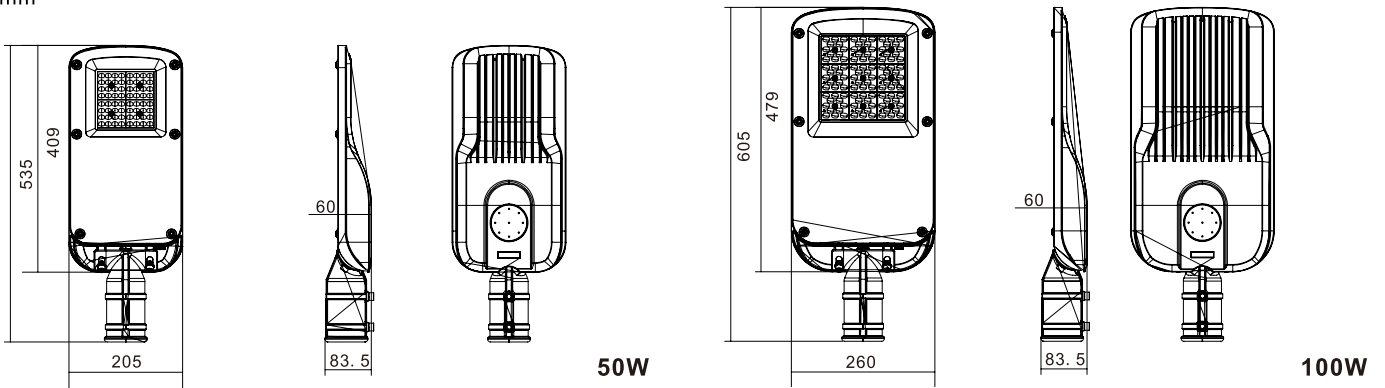


MULTIPLE INSTALLATION METHODS



DIAGRAMS

unit:mm

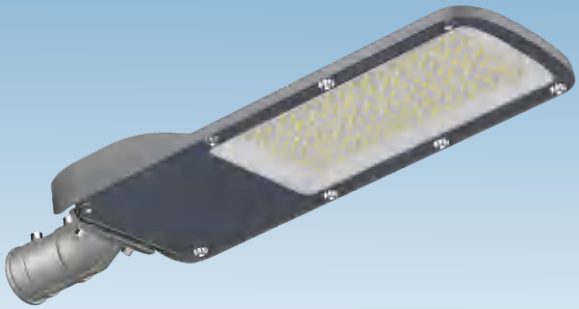


MAIN PARAMETERS

Power	3030 PCB	5050 PCB	Input Voltage	Efficacy	Material
50W	13B5C/8B8C	3B5C/12B2C	85-265V	160LM/W	Die-casting aluminum+glass
100W	22B5C/14B8C	7B8C/27B2C			
150W	36B5C/23B8C	11B8C/45B2C			
200W	43B5C/27B8C	/			
300W	42B8C	/			

PACKING SPECIFICATIONS

Model	50W	100W	150W	200W	300W
LED Model (PCS)	1pcs	1pcs	1pcs	1pcs	1pcs
CTN Size(cm)	55*21.5*10	63*27*10	73*27*10	78*27*10	83*32*10
20'GP/pcs	2368	1646	1421	1330	1054
40'GP/pcs	4905	3410	2943	2754	2184
40'HQ/pcs	5751	3998	3450	3229	2560



FEATURES:

1. Darkoo optical lens is adopted.
2. 3030SMD and 5050SMD light sources are optional.
3. With spirit level.
5. The installation axis angle can be adjusted by 90/180°.
6. Two installation methods are available, vertical installation/horizontal installation.
7. IP65 outdoor structural waterproof.
8. Optional photocell sensor.

CAUTIONS:

1. Installation must be done by professional electricians.
2. Do NOT dismantle the product. It may be dangerous.
3. Do NOT stare at the light with naked eyes. It is harmful to eyes.
4. For outdoor lighting, waterproof measurements must be done to the cable terminals.

